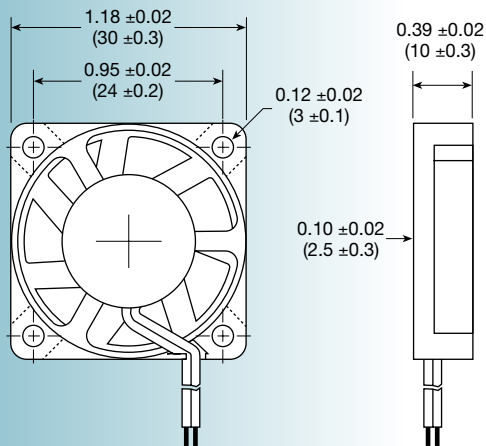
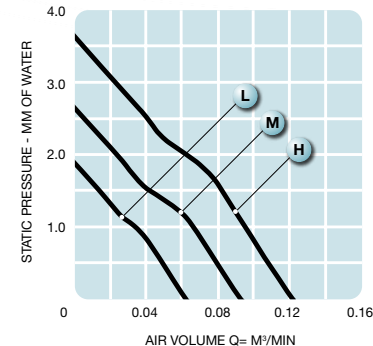


MA3010 series



Size: (30 x 30 x 10 mm)
1.18 x 1.18 x 0.39 inches

- Construction:** UL94V-0 PBT impeller & frame
- Bearing option:** ball bearing or sleeve
- Connection:** AWG 30, UL1007 lead wires
- Frame:** ribbed
- Protection:** thermal
- Options:** tachometer output signal



Model No.	Rated Voltage V	Operating Voltage V	Current mA	Revolution RPM	Air Volume		Max. Static Pressure (H ₂ O)		Sound Noise dbA	Weight g
					M³/Min.	CFM	MM	INCH		
MA3010L	5	3 - 6.5	60	5,000	0.06	2.15	1.85	0.07	15	8
MA3010M	5	3 - 6.5	70	7,000	0.09	3.17	2.64	0.11	21	8
MA3010H	5	3 - 6.5	140	9,000	0.12	4.22	3.77	0.15	28	8
MA3010L	12	7 - 13.8	40	5,000	0.06	2.15	1.85	0.07	15	8
MA3010M	12	7 - 13.8	70	7,000	0.09	3.17	2.64	0.11	21	8
MA3010H	12	7 - 13.8	100	9,000	0.12	4.22	3.77	0.15	28	8