



Starting Manual



Table of Content

1. Introduction.....	4
1.1. What's UDOO?	4
1.2. UDOO goals.....	4
1.3. Specifications.....	4
1.3.1. <i>GPIO features</i>	4
1.3.2. <i>UDOO Quad</i>	4
1.3.3. <i>UDOO Dual</i>	5
1.3.4. <i>UDOO Dual Basic</i>	5
2. Creating a bootable Micro SD card from Image	7
2.1. Write the image on micro SD card Using Linux:.....	7
2.2. Write the image on micro SD card Using Mac OSX.....	8
2.3. Write the image on micro SD card Using Windows.....	9
2.4. Creating a bootable Micro SD card: The Hard Way.....	11
2.4.1. <i>Download Binaries</i>	11
2.4.2. <i>Compiling the Kernel and the modules</i>	11
2.4.3. <i>Preparing the partitions on the SD card</i>	12
2.4.4. <i>Copy the files on the SD card</i>	13
2.4.5. <i>Installing U-Boot</i>	13
3. Internal Connections.....	14
3.1. Introduction	14
3.2. Cpu's Connections	14
3.2.1. <i>i.Mx6 Debug Serial</i>	14
3.2.2. <i>Shared UART serial</i>	15
3.2.3. <i>Shared USB OTG bus</i>	19
3.2.4. <i>Android Accessory Mode</i>	19
3.2.5. <i>USB Debug mode</i>	19
3.2.6. <i>Switching between modes</i>	21
3.3. Communication example over UART	21
4. How to program SAM3X microcontroller	23
4.1. Download Arduino IDE	23
4.2. Install Arduino IDE	23
4.2.1. <i>Windows</i>	23
4.2.2. <i>Linux 32 / 64</i>	24
4.2.3. <i>OSX</i>	24
4.3. Apply UDOO patch to Arduino IDE.....	24
4.3.1. <i>Why we need this patch</i>	24
4.4. Alternative procedure	25
5. Shared GPIOs Management	27
5.1. Introduction	27
5.2. SAM3x GPI/Os management.....	27
5.3. i.MX6 GPI/O Management.....	28
5.4. GPIOs Warnings.....	29
6. i.Mx6 Pinmuxing.....	31



6.1. Introduction	31
6.2. Extra available functions on UDOO pinout	32
6.3. Example	33
7. Appendix	34
7.1. How to create a Virtual Machine Environment	34
7.1.2. Introduction	34
7.1.3. Setting up work environment.....	35
7.2. Establish serial debug connection with UDOO	38
7.2.1. Introduction	38
7.2.2. Drivers	38
7.2.3. Windows	38
7.2.4. Linux.....	44
7.2.5. Mac OSX	44
7.2.6. Final step	46

1. Introduction

1.1. What's UDOO?

UDOO is a mini PC that can be used both with Android and Linux OS, with an embedded Arduino-compatible board. It is a powerful prototyping board for software development and design; it's easy to use and allows developing projects with minimum knowledge of hardware. UDOO merges different computing worlds together: each one has its proper strength- and weak- points, but all of them are useful in today's life for educational purposes as well as Do-It-Yourself (DIY) and quick prototyping. UDOO is an open hardware, low-cost platform equipped with an ARM i.MX6 Freescale processor, and an Arduino Due compatible section based on ATMEL SAM3X ARM processor, all this available on the same board!

1.2. UDOO goals

- Develop an innovative product for a growing market
- Give a new vision to the educational framework, with the idea of training up a new generation of engineers, designers and software developers skilled in digital technology: physical computing, multi-media arts, interactive arts, IoT...
- Give a boost to the DIY world
- Offer a low cost embedded platform for interactive arts with powerful tools: Processing, OpenCV, PureData, openFramework
- Provide companies with a great tool for fast prototyping

1.3. Specifications

UDOO retail line up consists of three models, sharing most of the features and different only for connectivity and i.MX6 processor used. All three models feature an embedded Arduino compatible section based on Arduino Due schematic. UDOO's size are 4.33 inch x 3.35 inch (11 cm x 8.5 cm).

Warning: The UDOO I/O pins are 3.3V compliant. Higher voltages (like 5V) would damage the board.

1.3.1. GPIO features

Current version, UDOO rev. D, has these additional features:

- S/PDIF digital audio in & out through pin headers;
- I2S/AC97/SSI digital audio multiplexer through pin headers;
- FlexCAN (Flexible Controller Area Network) through pin headers, it is possible to switch this function's management between i.MX6 processor and SAM3X8E processor;
- External SD card support through pins header: plug an external controller for an additional SD card slot or for an eMMC module.

1.3.2. UDOO Quad

- Freescale i.MX6Quad, 4 x ARM® Cortex™-A9 core @ 1GHz with ARMv7A instruction set



- GPU Vivante GC 2000 for 3D + Vivante GC 355 for 2D (vector graphics) + Vivante GC 320 for 2D (composition)
- Atmel SAM3X8E ARM Cortex-M3 CPU (same as Arduino Due)
- RAM DDR3 1GB
- 76 fully available GPIO with Arduino-compatible R3 1.0 pinout
- HDMI and LVDS + Touch
- 2 Micro USB (1 OTG)
- 2 USB 2.0 type A and 1 USB 2.0 internal pin header (requires adapter cable)
- Analog Audio and Mic jacks
- CSI Camera Connection
- on board Micro SD card reader (boot device)
- Power Supply (6-15V) and External Battery connector
- Ethernet RJ45 (10/100/1000 MBit)
- WiFi Module
- SATA connector with power header

1.3.3. UDOO Dual

- Freescale i.MX6DualLite, 2x ARM® Cortex™-A9 core @ 1GHz with ARMv7A instruction set
- GPU Vivante GC 880 for 3D and 2D (vector graphics) + Vivante GC 320 for 2D (composition)
- Atmel SAM3X8E ARM Cortex-M3 CPU (same as Arduino Due)
- RAM DDR3 1GB
- 76 fully available GPIO with Arduino-compatible R3 1.0 pinout
- HDMI and LVDS + Touch
- 2 Micro USB (1 OTG)
- 2 USB 2.0 type A and 1 USB 2.0 internal pin header (requires adapter cable)
- Analog Audio and Mic jacks
- CSI Camera Connection
- on board Micro SD card reader (boot device)
- Power Supply (6-15V) and External Battery connector
- Ethernet RJ45 (10/100/1000 MBit)
- WiFi Module
- SATA connector with power header

1.3.4. UDOO Dual Basic

- Freescale i.MX6DualLite, 2x ARM® Cortex™-A9 core @ 1GHz with ARMv7A instruction set
- GPU Vivante GC 880 for 3D and 2D (vector graphics) + Vivante GC 320 for 2D (composition)
- Atmel SAM3X8E ARM Cortex-M3 CPU (same as Arduino Due)
- RAM DDR3 1GB
- 76 fully available GPIO with Arduino-compatible R3 1.0 pinout
- HDMI and LVDS + Touch



- 2 Micro USB (1 OTG)
- 2 USB 2.0 type A and 1 USB 2.0 internal pin header (requires adapter cable)
- Analog Audio and Mic jacks
- CSI Camera Connection
- on board Micro SD card reader (boot device)
- Power Supply (6-15V) and External Battery connector

2. Creating a bootable Micro SD card from precompiled image

The following paragraphs will guide to in the creation of a bootable micro SD card for UDOO board, starting from a precompiled image file containing the UDOO Operating system, which runs using the i.MX6 processor. Without the O.S., it is possible only to use UDOO like a normal Arduino Due (only SAM3X8E processor). The procedure is quite easy: simply unzip the image and write it on the SD card using the `dd` tool for UNIX/MAC users or [Win32DiskImager](#) for Windows users. It is not possible to create a bootable SD card with drag and drop. Please consider that the micro SD card size must be at least 8GB; higher capacity SD memory cards may be used but only 8GB will be available at the end of the procedure.

1. Download any SD images (Ubuntu or Yocto) from the image section of the website <http://www.udoo.org/downloads/>.
2. Extract the `.img` file from the `.zip` file you downloaded into any folder (this path will be referred to as `<img_file_path>` in the guide).
3. Follow the instructions below for the OS you use:

2.1. Write the image on micro SD card using Linux:

From the terminal run:

```
df -h
```

If the PC used has a slot for SD cards (SD to micro SD adapter needed), insert the card. If not, insert the card into any SD card reader and then connect it to the PC. Note: the microSD card must be formatted using FAT32 File System!

Run again:

```
df -h
```

The device that had not been listed before is the micro SD card just inserted. The left column will show the device name assigned to the micro SD card. It will have a name similar to `"/dev/mmcblk0p1"` or `"/dev/sdd1"`. The last part of the name (`"p1"` or `"1"`, respectively) is the partition number, but it is necessary to write on the whole micro SD card, not only on one partition. Therefore, it is necessary to remove that part from the name (for example `"/dev/mmcblk0"` or `"/dev/sdd"`) in order to work with the whole micro SD card.

If the micro SD card contains more than one partition, it is necessary to unmount all of these partitions (using the correct name found previously, followed by the letters and numbers identifying the partitions) using the command:

```
e.g. sudo umount /dev/sdd1
```

Now, write the image on the micro SD card with the command:

```
sudo dd bs=1M if=<img_file_path> of=/dev/<sd_name>
```



Please be sure that you replaced the argument of input file (`if=<img_file_path>`) with the path of the .img file, and that the device name specified in output file's argument (`of=/dev/<sd_name>`) is correct. This is very important, since you could lose all data on the hard drive of the Host PC if it is used the wrong device name. Please also be sure that the device name is that of the whole micro SD card, as described above, not just a partition. (e.g. `sdd`, not `sdds1` or `sddp1`, or `mmcblk0` not `mmcblk0p1`)

e.g. `sudo dd bs=1M if=/home/<user_name>/Download/2013-5-28-udoo-ubuntu.img of=/dev/sdd`

Once `dd` completes, run the `sync` command as root or run `sudo sync` as a normal user (this will ensure that the write cache is flushed and that it is safe to unmount the micro SD card). Then run:

```
sudo umount /media/<sd_label>
```

The micro SD card is now ready to be used. Simply, insert it in UDOO's microSD Card slot and boot the system.

2.2. Write the image on micro SD card using Mac OSX

From the terminal run

```
df -h
```

If the Mac has a slot for SD cards (SD to micro SD adapter needed), insert the card. If not, insert the card into any SD card reader and then connect it to the Mac. Note: the microSD card must be formatted using FAT32 File System! Run again

```
df -h
```

The device that had not been listed before is the microSD card just inserted. The name shown will be that of the filesystem's partition, for example, `/dev/disk3s1`. Now consider the raw device name for using the entire disk, by omitting the final "s1" and replacing "disk" with "rdisk" (considering previous example, use `rdisk3`, not `disk3` nor `rdisk3s1`). This is very important, since it could result in the loss of all data of the disk of the Mac used, when referring to the wrong device name. Since there could be other SD with different drive names/numbers, like `rdisk2` or `rdisk4`, etc. check again the correct name of the microSD card by using the `df -h` command both before & after the insertion of the microSD card into the Mac used.

e.g. `/dev/disk3s1 => /dev/rdisk3`

If the microSD card contains more partitions, unmount all of these partitions (use the correct name found previously, followed by letters and numbers that identify the partitions) with the command:

```
sudo diskutil unmount /dev/disk3s1
```

Now write the image on the microSD card using the command:




```
sudo dd bs=1m if=path_del_file_img of=/dev/<sd_name>
```

Please be sure that you replaced the argument of input file (`if=<img_file_path>`) with the path to the `.img` file, and that the device name specified in output file's argument (`of=/dev/<sd_name>`) is correct. This is very important, since it could result in the loss of all data of the disk of the Mac used, when referring to the wrong device name.). Please also be sure that the device name is that of the whole micro SD card as described above, not just a partition (for example, `rdisk3`, not `disk3s1`).

e.g. `sudo dd bs=1m if=/home/user_name/Download/2013-5-28-udoo-ubuntu.img of=/dev/rdisk3`

Once `dd` completes, run the `sync` command as root or run `sudo sync` as a normal user (this will ensure that the write cache is flushed and that it is safe to unmount the micro SD card). Then run:

```
sudo diskutil eject /dev/rdisk3
```

The micro SD card is now ready to be used. Simply, insert it in UDOO's microSD Card slot and boot the system.

2.3. Write the image on micro SD card using Windows

Download the Win32DiskImager software

Unzip it, now there will be a new folder called "win32diskimager-v0.7-binary". If the PC used has a slot for SD cards (SD to microSD adapter needed), simply insert the card. If not, insert the card into any SD card reader and then connect it to the PC. Note: the microSD card must be formatted using FAT32 File System!

Run the file named Win32DiskImager.exe (with Windows Vista, 7 and 8 right-click the file and select "Run as administrator").

If the micro SD card (Device) used is not detected automatically, click on the drop down box on the right and select the identifier of the micro SD card that has been plugged in (e.g. [H:\]). Note: the microSD card must be formatted using FAT32 File System!

Please be careful to select the correct drive identifier; if you use the wrong identifier, you can lose all data on the PC's hard disk!

In the Image File box, choose the downloaded `.img` file and click "Write". Note: click YES in case it pops up a warning message.

The microSD card is now ready to be used. Simply insert it in UDOO's microSD Card slot and boot the system.

2.4. Creating a bootable microSD card: The Hard Way

Note: The following instructions are referred to a Linux system.

A bootable SD card has 3 different elements:

- Kernel
- U-Boot (Universal Bootloader)
- File System (e.g: Ubuntu Linaro, Yocto)

A possible way to create a bootable SD card consists in installing these elements separately from the binaries available on UDOO's website.

Alternatively, it is possible to compile the source code in order to get the binaries. This is especially useful for people that want to customize and improve the UDOO environment and getting the newest kernel/u-boot updates. This way is not usually suitable for beginners.

The following steps are required when using an unformatted microSD card:

2.4.1. Download Binaries

Download all the necessary binaries that must be installed.

Create a development folder on Home:

```
cd
mkdir udoo-dev
```

then move to the folder

```
cd udoo-dev
```

Download inside the "udoo-dev" folder the file system, the compiled Kernel (ulmage) and the U-Boot file (u-boot.bin) for UDOO Dual or Quad from the binaries section of the website <http://www.udoo.org/downloads/>.

Once completed these steps, in "udoo-dev" folder there will be 3 binary files: File System, U-Boot and Kernel.

2.4.2. Compile the Kernel and the modules.

It's possible to download the Kernel sources from the GitHub repository https://github.com/UDOOboard/Kernel_Unico.

Note: For compiling the sources from an x86/64 PC, it is also necessary to download the cross-compiler from the sources section of the webpage <http://www.udoo.org/downloads/>

Download and extract the cross-compiler:

```
curl http://download.udoo.org/files/crosscompiler/arm-fsl-linux-gnueabi.tar.gz | tar -xzv
```

It could be prompted to install some packages in order to successfully compile the kernel on Linux.

E.g. in Ubuntu 10.04 it is necessary to install the following packages:
`sudo apt-get install build-essential ncurses-dev uboot-mkimage git`



Download the latest revision from GitHub:

```
git clone http://github.com/UDOOboard/Kernel_Unico kernel
```

Move inside the folder kernel:

```
cd kernel
```

Set the default kernel configuration for UDOO by running the command:

```
make ARCH=arm UDOO_defconfig
```

At this point, it is possible to edit the config:

```
make ARCH=arm menuconfig
```

Start compiling:

```
make -j4 CROSS_COMPILE=../arm-fsl-linux-gnueabi/bin/arm-fsl-linux-gnueabi- ARCH=arm  
ulmage modules
```

(This operation could take up to 20 minutes, depending on the PC used)

The compiled Binary (ulmage) will now be available in the arch/arm/boot/ folder.

Copy it in the previous folder:

```
cp arch/arm/boot/ulmage ..
```

Now install the modules:

```
make modules_install INSTALL_MOD_PATH=.. CROSS_COMPILE=../arm-fsl-linux-  
gnueabi/bin/arm-fsl-linux-gnueabi- ARCH=arm
```

```
cd ..
```

2.4.3. Preparing the partitions on the SD card

Insert the microSD card in the card reader.

Launch gparted:

```
sudo gparted
```

Select the right microSD label from the drop down menu

NOTE: Be sure you're using the correct label; use of the wrong device identifier could result in the loss of all data on the Hard Drive of the host PC used.

e.g. /dev/sdc

Unmount and delete the existing microSD partitions

(If necessary, create a partition table:

Select from the top menu: Device → Create Partition Table... → Apply)

Create a new partition with the following parameters and press Add.

Free space preceding (MiB): 10

New size (MiB): based to the SD size

Free space following (MiB): 10

Create as: Primary partition

File system: ext3

(NOTE: ext4 is not yet supported)

Label: <UDOO_MICROSD_LABEL>

Press the green V form, wait for the partition to be done and exit gparted.

2.4.4. Copy the files on the SD card

File System:

Note: Always remember to replace the strings inside the brackets with the right filenames.

Mount the just-created partition and then extract the tar.gz file containing the filesystem inside the microSD card with the following command:

```
sudo tar -xvzpf <NAME_OF_TAR_FS> -C /media/<UDOO_MICROSD_LABEL>/
```

(This operation could take up to 30 minutes)

Kernel Image:

Copy the binary inside the microSD card boot folder by using the following command:

```
sudo cp uImage /media/<UDOO_MICROSD_LABEL>/boot
```

Installing kernel modules

Remove the previous modules:

```
sudo rm -rv /media/<UDOO_MICROSD_LABEL>/lib/modules/*
```

Copy the new modules:

```
sudo cp -av lib /media/<UDOO_MICROSD_LABEL>/
```

2.4.5. Installing U-Boot

Unmount all the Micro SD partitions:

```
sudo umount /dev/<MICROSD_DEVICE_NAME>*
```

NOTE: Be sure you're using the correct device filename; use of the wrong device identifier could result in the loss of all data on the Hard Drive of the host PC used. Double check the filename of your device with command:

```
lsblk
```

Copy the u-boot binary file inside the MicroSD.

For UDOO Quad:

```
sudo dd if=u-boot-q.imx of=/dev/sdX bs=512 seek=2
```

For UDOO Dual:

```
sudo dd if=u-boot-d.imx of=/dev/sdX bs=512 seek=2
```

```
sync
```

The microSD card is now ready. Simply insert it in UDOO's microSD Card slot and boot the system.

3. Internal Connections

3.1. Introduction

UDOO include on the same board an ARM v7 Cortex A9 microprocessor with an Atmel SAM3X8E microcontroller (same as Arduino Due). They're both stand-alone with different clocks and no shared memory. They both process their tasks asynchronously without any kind of emulation

These processors only share some communication channels:

- an UART Serial (used on Linux)
- an USB OTG Bus (used on Android)
- all the digital pins of the external Arduino pinout.

UDOO embeds a micro-computer with the most common communication ports (Ethernet, WiFi, USB, HDMI, SATA, digital and analog input/output) and a microcontroller with a standard pinout for fast prototyping applications. They both work connected to the same ports that usually connect an Arduino board with a standard PC.

3.2. Processors' Connections

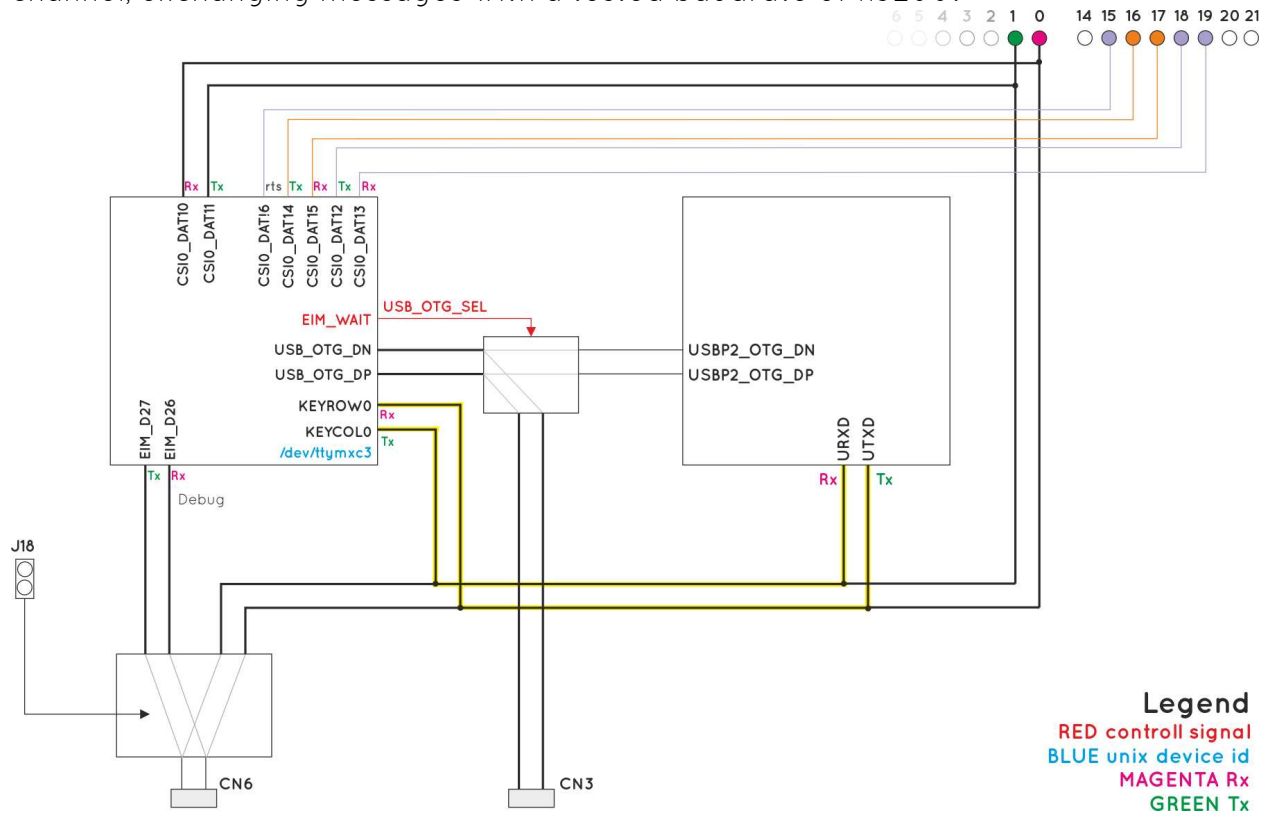
This chapter will describe all the communication channels between the two processors on UDOO board.

3.2.1. i.MX6 Debug Serial

Freescale i.MX6 has a dedicated serial port for debugging, which is accessible through an USB-to-RS-232 bridge on micro-USB connector CN6.

The J18jumper switches USB connection coming from CN6 to the iMX6 debug serial port, instead of SAM3X8E programming port. It gives accessto Linux console while

channel, exchanging messages with a tested baudrate of 115200.



This shared serial port, which can be used for SAM3X8E programming, is accessible exactly like on Arduino Due, via embedded USB-to-serial converter (accessible through microUSB connector CN6, simply by removing jumper J18) or directly on external pins #0 and #1 of Arduino pinout-compatible pin headers.

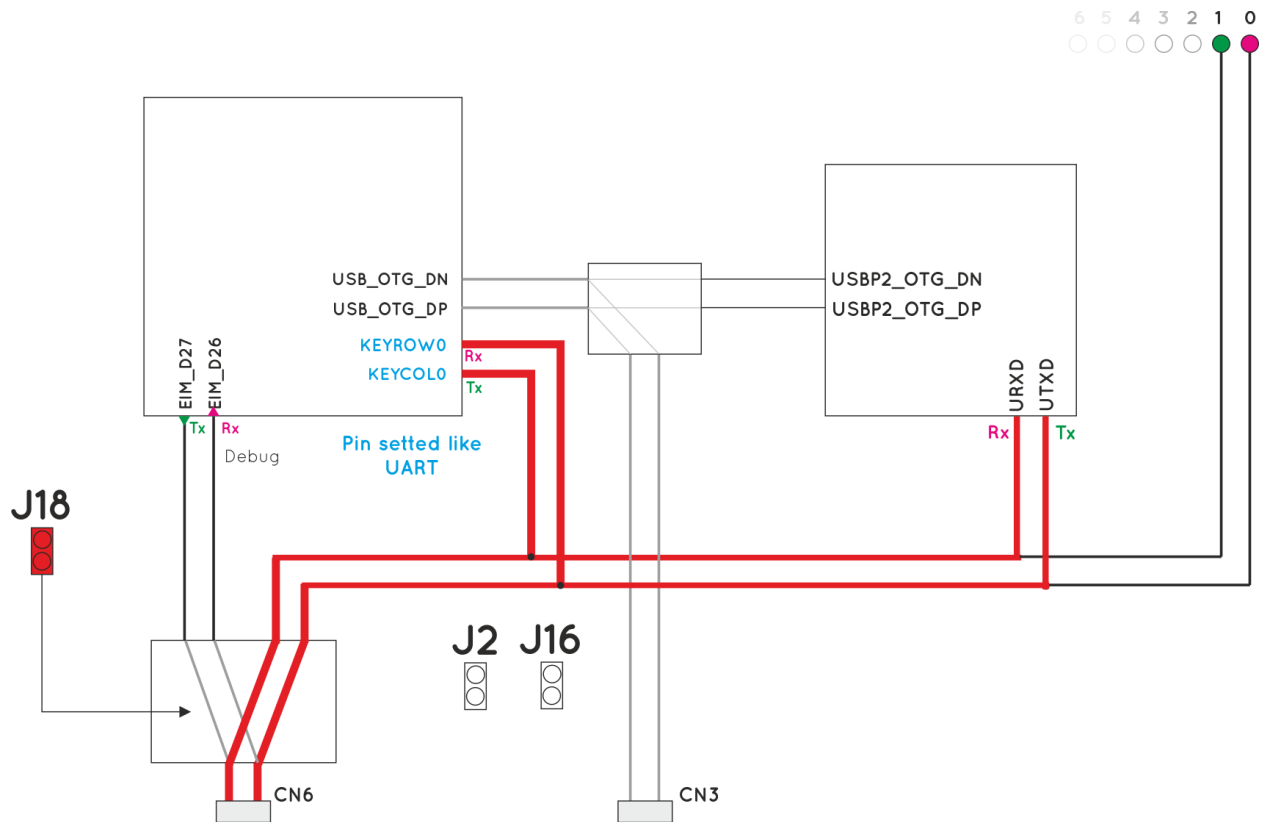
The shared serial port is connected to iMX6 pins KEYROW0 and KEYCOL0, while on SAM3X8E is connected to pins URXD and UTXD.

For a communication example over this serial port, please check paragraph 3.3.

WARNING!

Please be aware that, due to the peculiar kind of connection of the shared serial port, it could be possible that more than two devices are on the same serial line. It's up to the customer to avoid this occurrence, since serial port connection is a push-pull point-to-point protocol. In case a third device, connected on the same line, tried to talk to other devices, it would be impossible to use the line. The shared serial port is always connected on SAM3X side, it is only possible to configure the i.MX6 pin functionality.

This can be done using Kernel source files. In default configuration, the i.MX6 pins connected to the shared serial port are set as UART Rx and UART Tx.



After the OS boot, the connection between the two processors is established and working. For this reason, it is impossible to connect an external Host PC through microUSB connector CN6 (without J18 jumper inserted), since it would result in the unusability of the shared serial port. The same situation occurs when trying to communicate with UDOO board through pins 0 and 1 of the Arduino Due – pinout compatible pin headers, since SAM3X8E UART Serial Rx and Tx line are wired also on these pins.

In case it is necessary to talk to SAM3X8E through the shared serial port using microUSB port CN6, it is necessary to:

1. Download and install a serial monitor (e.g. Teraterm for Windows, minicom for Linux, serial tools for OS X). Please check the appendix for the configuration and the parameters of these software tools.
2. Connect the external host PC through the microUSB port CN6, taking care that jumper J18 is plugged. Then insert the power plug and start the system.

On the serial monitor now it will appear something like the following:

```
...
usdhc3 clock :198000000Hz
usdhc4 clock :198000000Hz
nfc clock   :240000000Hz
Board: i.MX6Q-UDOO: unknown-board Board: 0x63012 [WDOG]
Boot Device: NOR
I2C: ready
```

```

DRAM: 1 GB
MMC: FSL_USDHC: 0,FSL_USDHC: 1,FSL_USDHC: 2,FSL_USDHC: 3
In: serial
Out: serial
Err: serial
Net: got MAC address from IIM: 00:00:00:00:00:00
FEC0 [PRIME]
Hit any key to stop autoboot: 3

Hit any key to stop autoboot: 2

Hit any key to stop autoboot: 1
    
```

Before the counter reaches 0, press any key on the external PC's serial console.

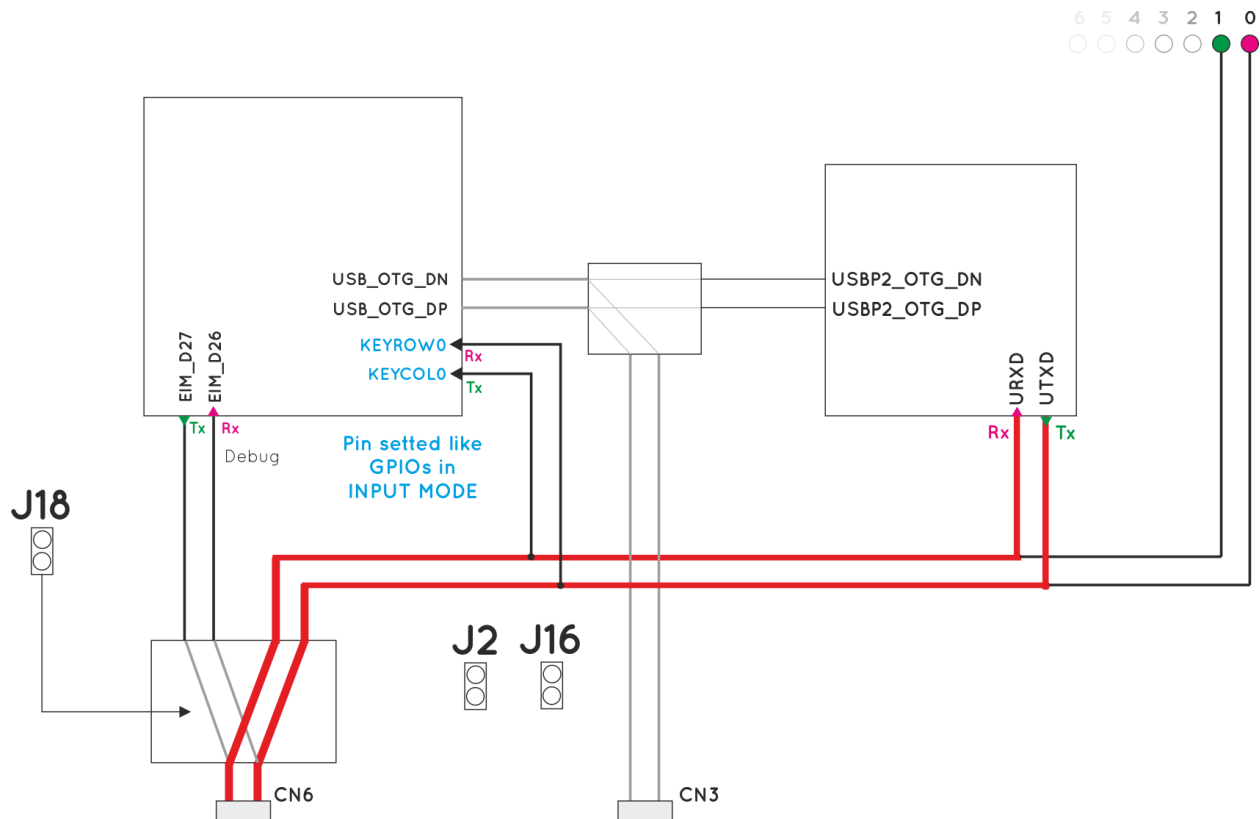
The booting procedure will now stop and it is possible to use the u-boot console

```
i.Mx6Q_UDOO_BOOT> _
```

Close the serial monitor and unplug J18 jumper.

This will allow the communication with the programming port of SAM3X8E processor without problem.

This procedure is needed since the Linux kernel enables the i.Mx6 serial port, so it is necessary to stop its configuration before the kernel starts.



3.2.3. Shared USB OTG bus

When using Android, communication between i.MX6 and SAM3x8E processors is not made through the shared serial port. It comes through the processors' native USB OTG ports, instead.

i.MX6's native USB OTG port can be switched between SAM3X8E microcontroller and external microUSB port CN3. The switching is managed by two i.Mx6 pins..

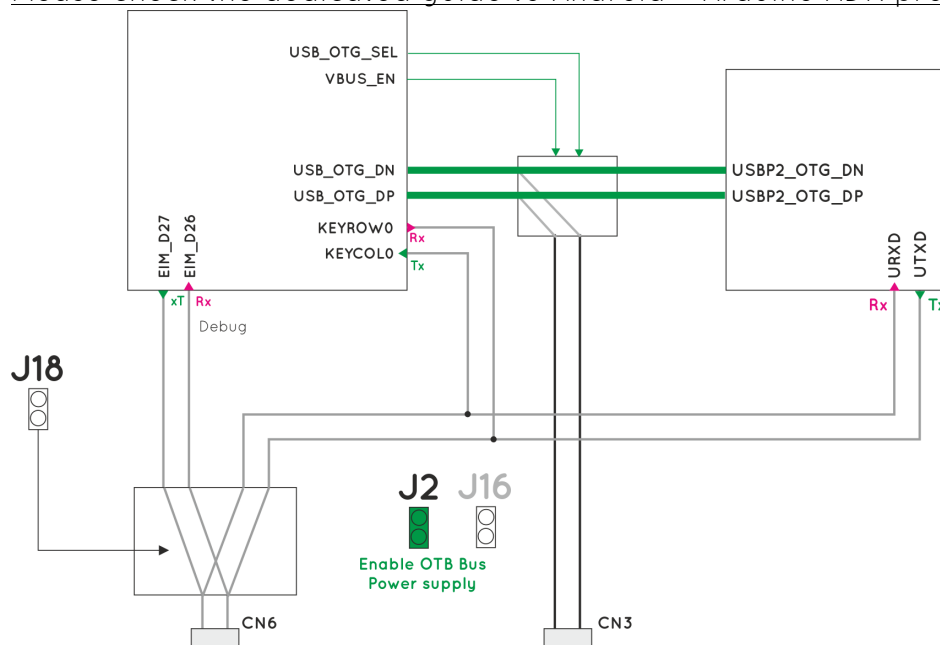
It is necessary to power OTG USB bus by plugging the jumper J2, which enables the voltage supply line of the bus.

3.2.4. Android Accessory Mode

After Android boot, i.MX6 processor is configured to switch the OTG BUS to the SAM3X8E processor, so the connection is between the two processors. Plugging an USB cable to CN3 will have no effect, since CN3 is disconnected.

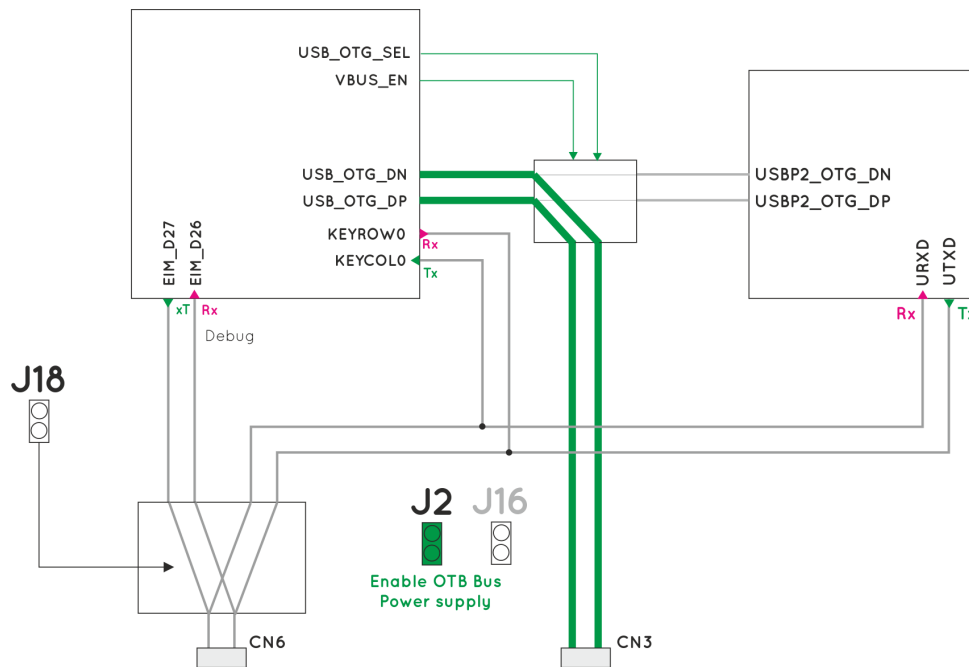
In this configuration i.MX6 processor communicates with SAM3X8e using AOA protocol. To do this you must program SAM3X8E with a sketch including some specific libraries and then install on Android an app configured to use AOA protocol.

Please check the dedicated guide to Android + Arduino ADK programming.



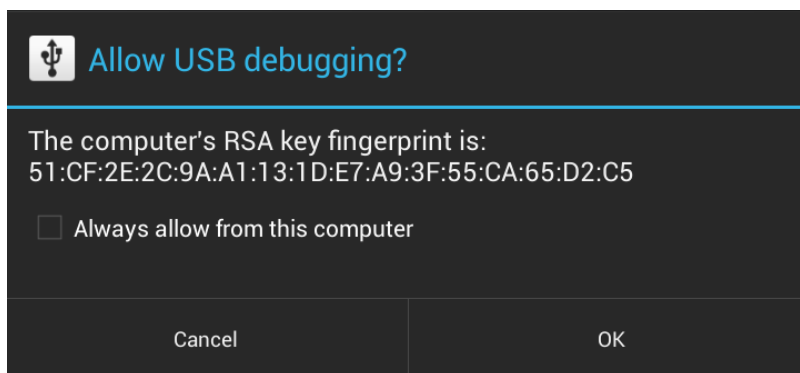
3.2.5. USB Debug mode

It's possible to use adb tool on UDOO for installing, debugging and testing applications like on common Android devices. To do this, it is necessary to switch the OTG bus to the microUSB port CN3, then connect there the external Host PC and use the standard adb tools on UDOO.



Default configuration directs OTG bus from i.MX6 processor to SAM3X8E, therefore, it is not possible to use the adb tool. To switch the OTG bus channel to external connector CN3, please follow the steps listed in the dedicated chapter.

After the OTG bus has been switched, it is possible to connect UDOO to an external computer plugged on CN3. The first time, Android will show an alert like that shown in the following picture.



Android is asking to accept the fingerprint of the PC used. It is also possible to select the option of remembering the choice; press OK button.

By launching a console on the host PC with the Android SDK installed, it is now possible to access to UDOO using adb tool..

It is possible to download Android SDK and access the full documentation at:
<http://developer.android.com/sdk/index.html>

Full guide for ADB tool available at:
<http://developer.android.com/tools/help/adb.html>

3.2.6. Switching between modes

From Android options menu, it is possible to switch between Debug Mode and Accessory Development Kit (ADK) Mode. For this, it is necessary to access the android shell.

- Connect a microUSB cable to CN6 and plug J18 jumper. Now access to the shared serial port using a terminal application (like Teraterm, Minicom, Serial Tools).
please check the paragraph related to the configuration of shared serial port

Accessing the Android console, it is possible to switch between the two modes.

From INTERNAL ADK mode (i.Mx6 ↔ SAM3X) to Debug Mode (microUSB plugged in CN3)	From Debug Mode (microUSB plugged in CN3) to INTERNAL ADK mode (i.Mx6 ↔ SAM3X)
sudo -s echo 0 > /sys/class/gpio/gpio203/value echo 0 > /sys/class/gpio/gpio128/value	sudo -s echo 1 > /sys/class/gpio/gpio128/value echo 1 > /sys/class/gpio/gpio203/value

When switching from Debug to ADK mode, after the two commands have been sent, it is possible that it is necessary to reset the SAM3X8E. Simply plug and unplug the jumper J16.

If it has been loaded a sketch implementing AOA protocol, an alert will appear. It notifies that Android Accessory is now connected. In case of presence of an app matching the id on the Arduino sketch, it will ask for a confirmation for opening such an app..

On the top-left menu, a message will constantly remind about the presence of the Accessory Connection.

3.3. Communication example over shared Serial Port

The two processors can communicate using the shared serial port, as deescribed in paragraph 3.2.2

On i.MX6 processor, such a serial port can be managed using the device file /dev/ttymx3.

For example, on a UDOO Linux terminal, it is possible to initialize the serial port baud rate by using the stty command:

SAM3X8E microcontroller programmin

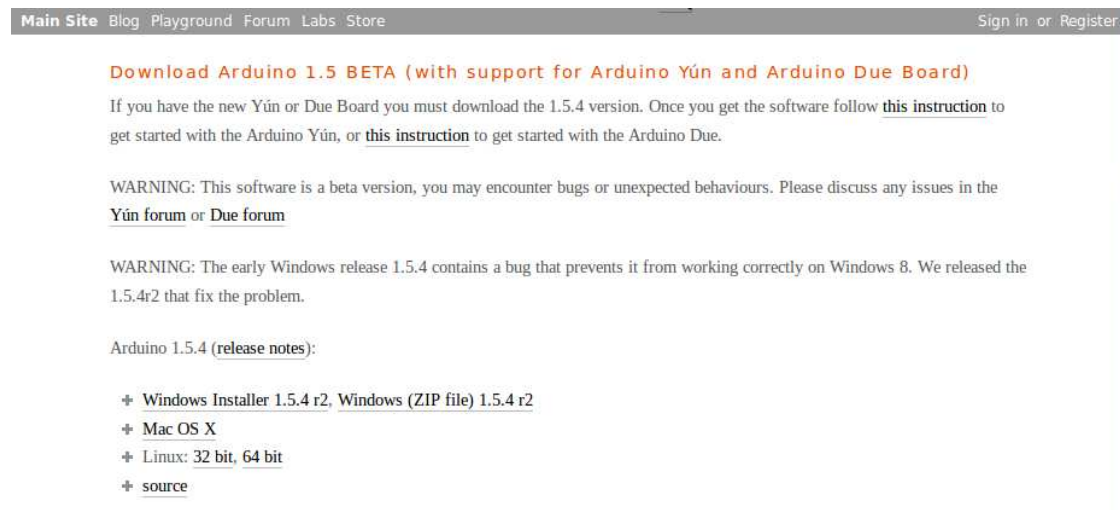
To program the Atmel SAM3x8E from an external Host PC, it is possible to use the standard Arduino IDE.

4.1. Download Arduino IDE

Download the Arduino IDE for free at the official website:

<http://arduino.cc/en/Main/Software>

Download the version for the O.S. used (must be 1.5.2 or newer release).



Main Site Blog Playground Forum Labs Store Sign in or Register

Download Arduino 1.5 BETA (with support for Arduino Yún and Arduino Due Board)

If you have the new Yún or Due Board you must download the 1.5.4 version. Once you get the software follow [this instruction](#) to get started with the Arduino Yún, or [this instruction](#) to get started with the Arduino Due.

WARNING: This software is a beta version, you may encounter bugs or unexpected behaviours. Please discuss any issues in the [Yún forum](#) or [Due forum](#)

WARNING: The early Windows release 1.5.4 contains a bug that prevents it from working correctly on Windows 8. We released the 1.5.4r2 that fix the problem.

Arduino 1.5.4 ([release notes](#)):

- + [Windows Installer 1.5.4 r2](#), [Windows \(ZIP file\) 1.5.4 r2](#)
- + [Mac OS X](#)
- + [Linux: 32 bit, 64 bit](#)
- + [source](#)

4.2. Install Arduino IDE

Once downloaded the appropriate IDE, the next step is installing the Arduino IDE. Keep in mind the path (from now on referenced as <ARDUINO_IDE_PATH>) for extraction of the archive previously downloaded.

It is necessary to update the IDE by inserting a patch inside the <ARDUINO_IDE_PATH> to make it fully compatible with UDOO board.

4.2.1. Windows

Download the installer or the zip package.

If it has been downloaded the zip file, then it is necessary to remember the path where the file has been unzipped. Instead, if it has been downloaded the installer, it will copy all files needed in the following default path:



C:\Program Files (x86)\Arduino

4.2.2. Linux 32 / 64

Download the tar.gz files, choosing from 32 and 64 bit OS version.

Navigate in the download folder via terminal and write the command:

```
tar -zvf arduino-1.5.4-linux32.tgz  
or  
tar -zvf arduino-1.5.4-linux64.tgz
```

then move the folder in the preferred path

```
mv arduino-1.5.4 < PREFERRED_PATH>
```

4.2.3. OSX

Download and unzip the file, then move the App in Application folder.

4.3. Apply UDOO patch to Arduino IDE

To allow the Arduino IDE to work on UDOO, it is necessary to update a file in the Arduino IDE folder.

Download the patch

Download the patch for the appropriate OS at following link:

www.udoo.org/downloads/#tab4

Extract the file called bossac from the archive and move it in the Arduino IDE path overriding the old file (Answer “yes” to any alert that will appear).

```
<ARDUINO_IDE_PATH>/hardware/tools/
```

On OS X, right click on the Arduino IDE Application and select “Show package contents”, then copy the bossac file into:

```
<ARDUINO_IDE_PACKAGE>/Contents/Resources/Java/hardware/tools/
```

4.3.1. Why this patch is necessary

The Atmel SAM3x8E microcontroller needs to receive ERASE and RESET signals before programming it with a new sketch.

On Arduino board this operation is performed by the microcontroller ATmega16U2, which is not present on UDOO board. This patch solves this issue. The bossac file sends a command to an i.MX6 embedded driver which acknowledges the command and drive opportunely the SAM3x8E ERASE and RESET signals. Afterwards, the



SAM3x8E can be programmed with the new sketch.

UDOO also needs the driver to disable the internal shared serial port, used to upload the sketch.

When the serial port is enabled on i.MX6 then there will be three devices (i.MX6, SAM3x8E, external PC) on the same line.

To avoid this conflict, the driver needs to set the i.MX6 serial port in INPUT MODE before the bossac uploader sends the command to the SAM3x8E.

4.4. Alternative procedure

A different way for programming the Arduino side without applying patches consists in stopping the board at U-boot stage before the Kernel is loaded

To do so you' ll have to:

1. Download and install a serial monitor program (Teraterm for Windows, Minicom for Linux, serial tools for OS X). Please check the appendix for the configuration and the parameters of these software tools.

2. Connect the external Host PC through the microUSB port CN6, taking care that jumper J18 is plugged. Then insert the power plug and start the system.

On the serial monitor it will appear something similar:

U-Boot 2009.08 (Sep 27 2013 - 12:30:44)

```
CPU: Freescale i.MX6 family TO1.2 at 792 MHz
Thermal sensor with ratio = 181
Temperature: 50 C, calibration data 0x5774fa69
mx6q pll1: 792MHz
mx6q pll2: 528MHz
mx6q pll3: 480MHz
mx6q pll8: 50MHz
ipg clock   : 660000000Hz
ipg per clock : 660000000Hz
uart clock  : 800000000Hz
cspi clock  : 600000000Hz
ahb clock   : 1320000000Hz
axi clock   : 2640000000Hz
emi_slow clock: 1320000000Hz
ddr clock   : 528000000Hz
usdhc1 clock : 1980000000Hz
usdhc2 clock : 1980000000Hz
usdhc3 clock : 1980000000Hz
usdhc4 clock : 1980000000Hz
nfc clock   : 240000000Hz
Board: i.MX6Q-UDOO: unknown-board Board: 0x63012 [WDOG]
Boot Device: NOR
I2C: ready
DRAM: 1 GB
MMC: FSL_USDHC: 0,FSL_USDHC: 1,FSL_USDHC: 2,FSL_USDHC: 3
In: serial
Out: serial
Err: serial
Net: got MAC address from IIM: 00:00:00:00:00:00
FEC0 [PRIME]
Hit any key to stop autoboot: 3
```

Hit any key to stop autoboot: 2



Hit any key to stop autoboot: 1

3. Before the counter reaches 0, press any key on the external PC's serial console.

```
i.Mx6Q_UDOO_BOOT> _
```

4. Close the serial monitor and unplug J18 jumper. This will allow the communication with the programming port of SAM3X8E;

5. Plug the jumper J22 for 1 second, then remove it (to erase the old sketch programmed in SAM3X8E);

6. Plug the jumper J16 for 1 second, then remove it (to reset the SAM3X8E);

7. Select from the IDE: Tools -> Board -> Arduino DUE programming port and select the correct serial COM from the IDE;

8. Send the sketch using the IDE upload button.

9. Press the reset button to restart i.MX6 and use Ubuntu or Android again.

5. Shared GPIOs Management

5.1. Introduction

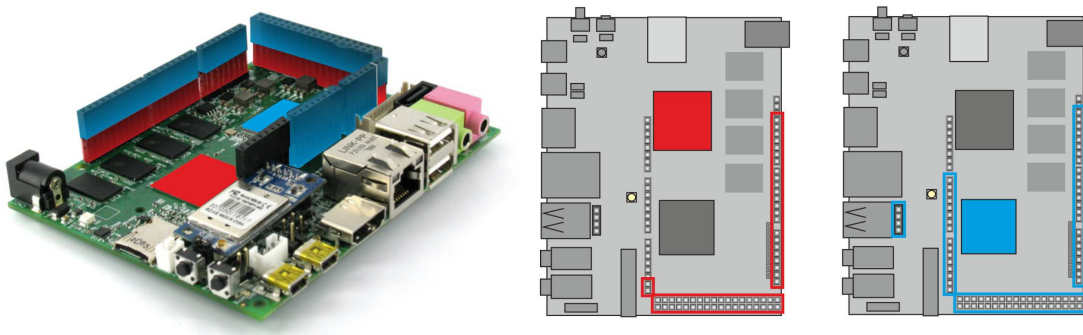
In this chapter it will be described how UDOO manages the signals available on external pin header, and the way to control all the GPIOs. On UDOO, Freescale i.MX and Atmel SAM3X8E share most of the GPIOs available on external pin headers. Each pin of both processors can be set in INPUT or OUTPUT mode.

In INPUT mode, each processor read the electrical level of the signal.

In OUTPUT mode they can drive low or high the voltage level on each pin.

So both processors can control all digital external pins.

Usually, with Arduino Due, applications that manage external pins are developed to run on the SAM3x8E microcontroller. On UDOO it is possible to control external pins also using i.MX6 processor.



5.2. SAM3x8E GPIOs management

SAM3x8E microcontroller can manage GPIOs using classic Arduino programming language. More information on this topic can be found at <http://arduino.cc/en/Reference/HomePage> to manage a GPIO it is necessary to set its direction (input or output) by calling the `pinMode(pin, mode)` function.

e.g. `pinMode(2, INPUT);` `pinMode(2, OUTPUT);`

If pin is set in input mode, its value can be read by using the function `digitalRead(pin)` providing pin number as parameter:

e.g. `int val = digitalRead(2);`

If pin is set in output mode, its value can be written by using the function `digitalWrite(pin, value)` providing the pin number and the value that must be written as parameters:

e.g. `digitalWrite (2, HIGH) ; digitalWrite (2, LOW);`

5.3. i.MX6 GPIO Management

i.MX6 can handle external pins in many different ways. In default configuration, they can be accessed from user level through the standard Kernel Linux interface. Some of them can be configured for specific functionalities provided by i.MX6 architecture, like

spi, i2c, i2s, audiomux, pwms output, UARTs and so on.

In next sections it will be described the way to use such functionalities.

When a pin is set as a GPIO, it is possible to read its value, change its direction or change output value directly from console.

All available GPIOs are managed by the kernel, and it is possible to access them simply by reading or writing value in specific files placed in a specific folder.

In the `/sys/class/gpio/` folder there are other sub-folders, one for each manageable GPIO. Each sub-folder contains files that indicate:

- direction (in / out)
- value (0 / 1)

To read a GPIO direction:

```
cat /sys/class/gpio/gpioXX/direction
```

In or Out output is now expected

To change the pin direction:

```
echo out > /sys/class/gpio/gpioXX/direction
```

or

```
echo in > /sys/class/gpio/gpioXX/direction
```

It is possible to do the same for values read or written on the pin.

To read a pin (the value read will be correct only if pin's direction is set as input): :

```
cat /sys/class/gpio/gpioXX/value
```

0 or 1 output is expected

To write a value on a pin:

```
echo 0 > /sys/class/gpio/gpioXX/value
```

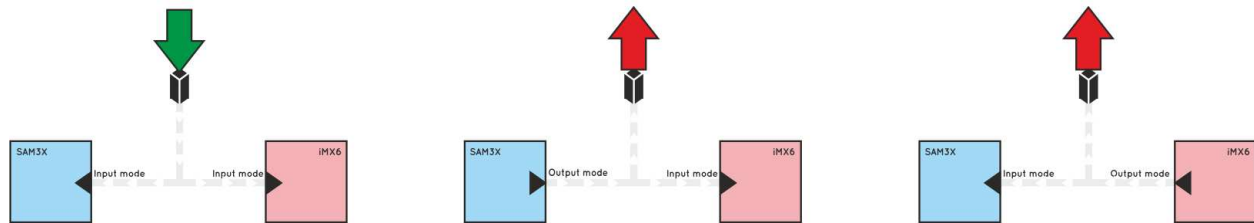
or

```
echo 1 > /sys/class/gpio/gpioXX/value
```

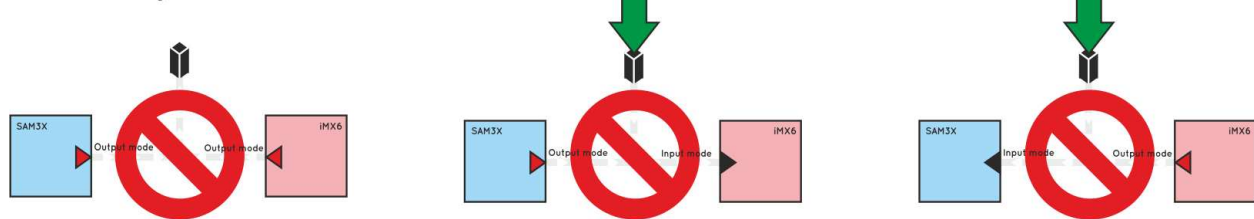

A. Communication mode



B. External use configuration



C. Prohibited configuration



- GPIOs can be used to build a communication channel between the two processors. By setting one processor in INPUT mode, and the other in OUTPUT mode, a one-way channel will be created. Via software, it is possible to switch the direction on both processors, in order to create a half-duplex communication channel.
- Two processors simultaneously can read data from external devices. They can also write data to external devices or the other processor, but only one at a time can be set in output mode.
- The situations here illustrated must be avoided. In the first case, both processors set the shared pin in output mode. If they try to drive the shared line with different signal values, the resulting signal level will be unpredictable and it could result in damaging the processor driving the signal LOW. The same situation occurs when one external device tries to drive the shared line.

WARNING!

There isn't any automatic tool that can avoid dangerous situations. The programmer must develop Hardware and Software able to avoid the occurrence of dangerous situation.

6. i.MX6 Pinmuxing

6.1. Introduction

i.MX6 processor provides a dedicated controller for pin-muxing options, named IOMUX Controller(IOMUXC). The IOMUX Controller allows to the IC to share one pad between several functional blocks. The sharing is done by multiplexing the pad input/output signals.

Every module requires a specific pad setting (such as pull up, keeper, and so on), and for each signal, there are up to 8 muxing options (called ALT modes). The pad settings parameters are controlled by the IOMUXC.

In the Linux kernel, it is necessary to define a specific file for each platform. For UDOO, it can be found in:

```
<KERNEL_ROOT>/arch/arm/mach_mx6/board_mx6_seco_UDOO.c
```

This file contains specific drivers initializations, like ethernet, hdmi, sd, and so on.. At the beginning of the function `__init mx6_seco_UDOO_board_init(void)`, there is the following code:

```
if (cpu_is_mx6q ()) {
    mxc_iomux_v3_setup_multiple_pads (mx6qd_seco_UDOO_pads,
        ARRAY_SIZE (mx6qd_seco_UDOO_pads) );
    printk ( "\n>UDOO quad" );
}
else if ( cpu_is_mx6dl () ) {
    mxc_iomux_v3_setup_multiple_pads (mx6sdl_seco_UDOO_pads,
        ARRAY_SIZE (mx6sdl_seco_UDOO_pads) );
    printk ( "\n>UDOO dual " );
}
```

It recognizes the UDOO version used, and load the necessary macros needed for it.

`mx6qd_seco_UDOO_pads` and `mx6sdl_seco_UDOO_pads` are two array of macros defined in two header files, one for each processor type. Both .h files are included in the .c file.

```
<KERNEL_ROOT>/arch/arm/mach_mx6/board_mx6qd_seco_UDOO.h (QUAD)
<KERNEL_ROOT>/arch/arm/mach_mx6/board_mx6sdl_seco_UDOO.h (DUAL)
```

`mx6_iomux_v3_setup_multiple_pads` reads the macros and set the correct bits values in registers.

Each header file defines:

- custom macros for some pins
- GPIOs id number (i.MX6 pins are divided in banks and identified by id. To make them visible by the OS it is necessary to give them a single id number. `IMX_GIPO_NR` provide this function).
- macro' s array used for pinmuxing
- an array containing the pins set as GPIOs that must be configured in output mode with high value

- an array containing the pins set as GPIOs that must be configured in output mode with low value
- an array containing the pins set as GPIOs that must be configured as inputs

It is also possible to divide the pins in two sets:

- internal pins, used for communications between processors, to enable or disable external peripherals (ethernet, usb hub, audio...)
- external pins, accessible from external through the Arduino Due compatible pin headers

External pins are set in input mode, in order to prevent problems with SAM3x8E signals.

To set directions and output value for the pins defined previously as GPIOs, it is necessary to place the GPIOs macros defined in header file's beginning (eg. `MX6DL_PAD_SD2_DAT0__GPIO_MODE`) into the arrays named:

- `mx6dl_set_in_outputmode_low[]`
- `mx6dl_set_in_outputmode_high[]`
- `mx6dl_set_in_inputmode[]`

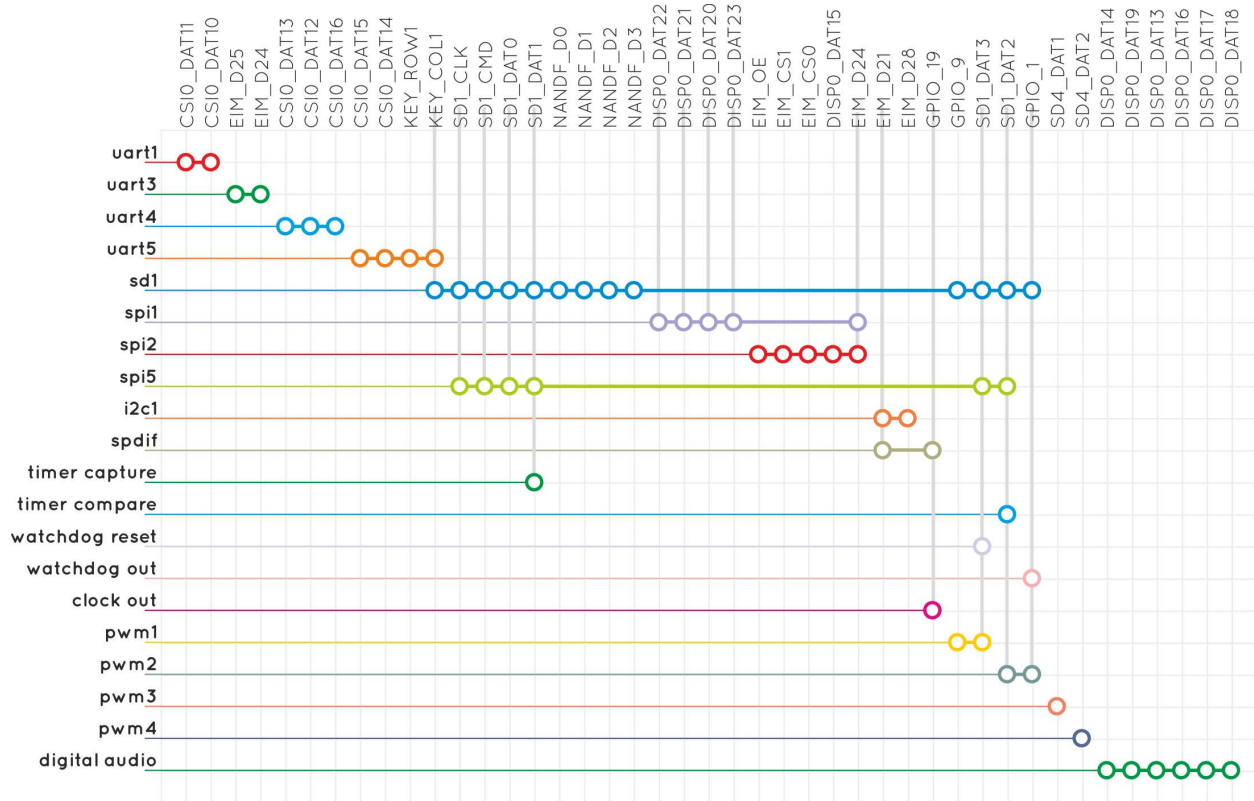
respectively.

6.2. Extra functions available on UDOO pin headers

UDOO can provide for extra features on external pin headers. To enable them it is necessary to declare the correct alternative pin function in the platform file.

These functions are:

- UARTs: `uart1`, `uart3`, `uart4`, `uart5`
- `sd1`
- SPIs: `spi1`, `spi2`, `spi5`
- `i2c1`
- `spdif`
- `timer capture`
- `timer compare`
- WATCHDOG FUNCTIONALITIES: `watchdog reset`, `watchdog out`
- `clock out`
- PWMs: `pwm1`, `pwm2`, `pwm3`, `pwm4`
- `digital audio`



Looking at the previous diagram, on the vertical axis there is the functionality provided by iMx6. On the horizontal axis are shown the pins used to implements each functionality. Be careful that some pins are used for different functionalities and only one at a time can be active for each of them.

6.3. Example

As an example, consider the possibility of enabling another serial port (UART3) connected to imx6 through external Pins.

For this, it is necessary to edit the file board-mx6qd_seco_UDOO.h.

Looking at the previous graph, it is possible to see that needed pins are EIM_D24 and EIM_D25.

Now it is possible to select the correct macros to enable this functionality. It is also necessary to remove the related GPIOs macro from the mx6q_set_in_inputmode[] array, which contains the list of the pins configured as input GPIOs.

<pre>static iomux_v3_cfg_t mx6qd_seco_UDOO_pads[] = { ... MX6Q_PAD_EIM_CS1_GPIO_2_24, // MX6Q_PAD_EIM_CS1_ECSP12_MOSI, MX6Q_PAD_EIM_CS0_GPIO_2_23, // </pre>	<pre>static iomux_v3_cfg_t mx6qd_seco_UDOO_pads[] = { ... MX6Q_PAD_EIM_CS1_GPIO_2_24, // MX6Q_PAD_EIM_CS1_ECSP12_MOSI, MX6Q_PAD_EIM_CS0_GPIO_2_23, // </pre>
--	--



<pre> MX6Q_PAD_EIM_CS0__ECSPI2_SCLK, MX6Q_PAD_EIM_D24__GPIO_3_24, // MX6Q_PAD_EIM_D24__ECSPI2_SS2, // MX6Q_PAD_EIM_D24__UART3_TXD, // MX6Q_PAD_EIM_D24__ECSP11_SS2, MX6Q_PAD_EIM_D25__GPIO_3_25, // MX6Q_PAD_EIM_D25__UART3_RXD, MX6Q_PAD_GPIO_7__GPIO_1_7, // MX6Q_PAD_GPIO_7__CAN1_TXCAN, MX6Q_PAD_GPIO_8__GPIO_1_8, // MX6Q_PAD_GPIO_8__CAN1_RXCAN, MX6Q_PAD_EIM_WAIT__GPIO_5_0_CORRECT, }; static unsigned int mx6q_set_in_inputmode[] = { ... MX6Q_PAD_EIM_CS1__GPIO_MODE, MX6Q_PAD_EIM_CS0__GPIO_MODE, MX6Q_PAD_EIM_D24__GPIO_MODE, MX6Q_PAD_EIM_D25__GPIO_MODE, MX6Q_PAD_GPIO_8__GPIO_MODE, MX6Q_PAD_GPIO_7__GPIO_MODE, }; </pre>	<pre> MX6Q_PAD_EIM_CS0__ECSPI2_SCLK, // MX6Q_PAD_EIM_D24__GPIO_3_24, // MX6Q_PAD_EIM_D24__ECSPI2_SS2, MX6Q_PAD_EIM_D24__UART3_TXD, // MX6Q_PAD_EIM_D24__ECSP11_SS2, // MX6Q_PAD_EIM_D25__GPIO_3_25, MX6Q_PAD_EIM_D25__UART3_RXD, MX6Q_PAD_GPIO_7__GPIO_1_7, // MX6Q_PAD_GPIO_7__CAN1_TXCAN, MX6Q_PAD_GPIO_8__GPIO_1_8, // MX6Q_PAD_GPIO_8__CAN1_RXCAN, MX6Q_PAD_EIM_WAIT__GPIO_5_0_CORRECT, }; static unsigned int mx6q_set_in_inputmode[] = { ... MX6Q_PAD_EIM_CS1__GPIO_MODE, MX6Q_PAD_EIM_CS0__GPIO_MODE, // MX6Q_PAD_EIM_D24__GPIO_MODE, // MX6Q_PAD_EIM_D25__GPIO_MODE, MX6Q_PAD_GPIO_8__GPIO_MODE, MX6Q_PAD_GPIO_7__GPIO_MODE, }; </pre>
--	--

Once all needed changes to configuration files have been made, it is necessary to compile again the kernel source.

WARNING: the pins EIM_D24 and EIM_D25 are shared with SAM3x8E .

EIM_D24 -> digital pin 53

EIM_D25 -> digital pin 47

```

void setup ( ) {
    Serial.begin(115200) ;
    pinMode(47 , INPUT ) ;
    pinMode(53 , INPUT ) ;
}
void loop ( ) {
    // ... some stuff ...
}

```

7. Appendix

7.1. How to create a Virtual Machine Environment

7.1.1. Introduction



The use of a virtual machine running a specific Linux Ubuntu distribution is highly recommended. .

A virtual machine will create a dedicated, close environment that will ensure that a step-by-step procedure will guide the user until the end without problems.

It also prevent risks of system corruption or that compiling environment is not clean. It also allows to be sure that used libraries are always the same, and updated.

System Requirements

To run the procedure described in the following sections, it is necessary to have: PC with virtual machine running Linux Ubuntu 10.04 with at least 40 GB of free disk space.

- UDOO Board
- micro-SD at least 4GB
- An SD card reader
- A micro-USB to USB cable

To try immediately UDOO Board, it is also necessary:

- HDMI monitor
- HDMI cable
- Mouse
- Keyboard
- UDOO compatible power supply

This procedure can be performed also on native Linux OS. The use of a VM only reduces system differences and can follow a standardised procedure to compile Android.

7.1.3. Setting up work environment

Install the Virtual Machine

VMware Player™ is recommended for this operation. A step-by-step installation procedure is provided.

Mac users

Virtual Box player can be used; however the procedure has not been tested on this system.

Download the VM player

Download the player from VMware Player website:

You can find the latest version at <http://www.vmware.com/products/player/> .
Choose the version dedicated to the OS used.

Install the VM on your system

Open the installer and follow the instructions.

For more information, check the VMware documentation:

<http://www.vmware.com/pdf/VMwarePlayerManual10.pdf>

Download Ubuntu disk image

A 64 bit 10.04 Ubuntu distro to run this procedure is recommended. It can be downloaded from <http://old-releases.ubuntu.com/releases/lucid/>

Create a new VM running Ubuntu 10.04

Click on VMware Player icon.

Choose "Create a New Virtual Machine" from menu on the right

Choose "Installer disk image file (iso)" and select the downloaded ubuntu iso image.. Press Next button.

Then choose your name, the username and the password. Fill these fields and click on next button.

Choose the VM name: UDOO-dev-10.04 and click next.

Set harddisk size at least 40 GB. Unfortunately, compiling Android OS requires a big amount of disk space.

Select "split virtual disk into multiple files" option.

Now it is necessary to set VM performances by clicking on "customize hardware" button.

Memory Options:

- 1 GB minimum (low performance, lot of swapping during the compiling)
- 2 GB recommended (memory swapping especially during java compiling)
- 3 GB+ perfect (no memory swapping during build operations)

Attention

The memory size must be chosen according to the amount of free memory on the host computer. When large amount of memory are assigned to VM, then the host OS could repeatedly swap or page, leading to a drastic decrease of computer's performances.

CPUs:

All the available CPU cores of the host PC should be assigned to VM execution, especially for the first compiling which requires a lot of time. After the first phase, it is possible to reduce the number of CPU cores, if desired.

Then click on "Finish" button and Ubuntu installation will start.

When the installation has ended, it is possible that it is necessary to login from console and launch the GUI by running the command:

```
startx
```

Setting up VM environment

Update the system

```
sudo apt-get update
```

Install required libraries for Android compiling process:

```
sudo apt-get install git-core gnupg flex bison gperf build-essential \
zip curl zlib1g-dev libc6-dev lib32ncurses5-dev ia32-libs \
x11proto-core-dev libx11-dev lib32readline5-dev lib32z-dev \
```



```
libgl1-mesa-dev g++-multilib mingw32 tofrodos python-markdown \  
libxml2-utils xsltproc uuid-dev libz2-dev
```

7.2. Establish serial debug connection with UDOO

7.2.1. Introduction

This chapter will describe the way to install, configure and access the i.Mx6 Serial Debug Port.

Obviously, it is possible to use all kind of tool to access serial. This is just a basic guide for beginners.

The access to debug serial port is very important on UDOO, since it is a very compact board but with a very high level of complexity inside. It can be useful for many operations during setup, control, configuration, debug, troubleshooting...

The serial debug port is used for two different reasons:

- The bootloader and kernel send debug messages via serial port, so that the user can monitor the low level system states;
- A root console is automatically opened on the serial port, allowing bootloader configuration and system control.

The number of messages sent via serial port can be very high. For this reason, it is quite useful to increase scrolling capabilities of the terminal, possibly setting them to a very high or even unlimited number of lines.

Three programs to access serial ports are suggested, depending on the OS used on the host PC.

- TeraTerm (Windows)
- Minicom (Linux)
- Serial Tools (Mac)

7.2.2. Drivers

Windows and Mac users may need to install drivers to access UDOO usb serial.

They can be found at

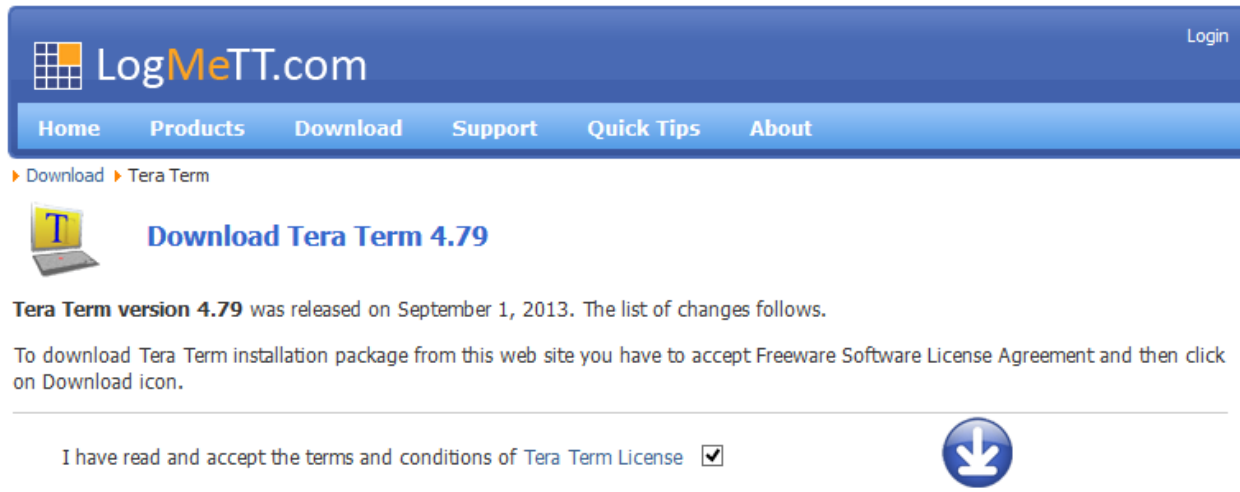
<http://www.silabs.com/products/mcu/pages/usbtouartbridgevcpcdrivers.aspx>

7.2.3. Windows

Download

Download the installer from:

<http://logmett.com/freeware/TeraTerm.php>

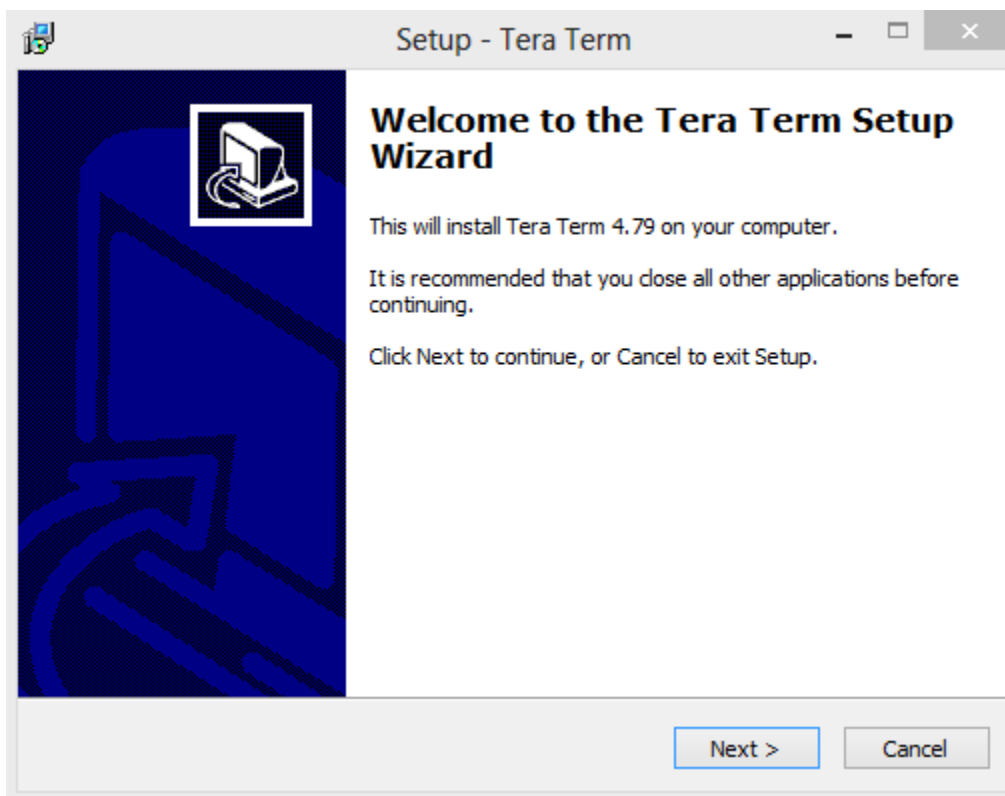


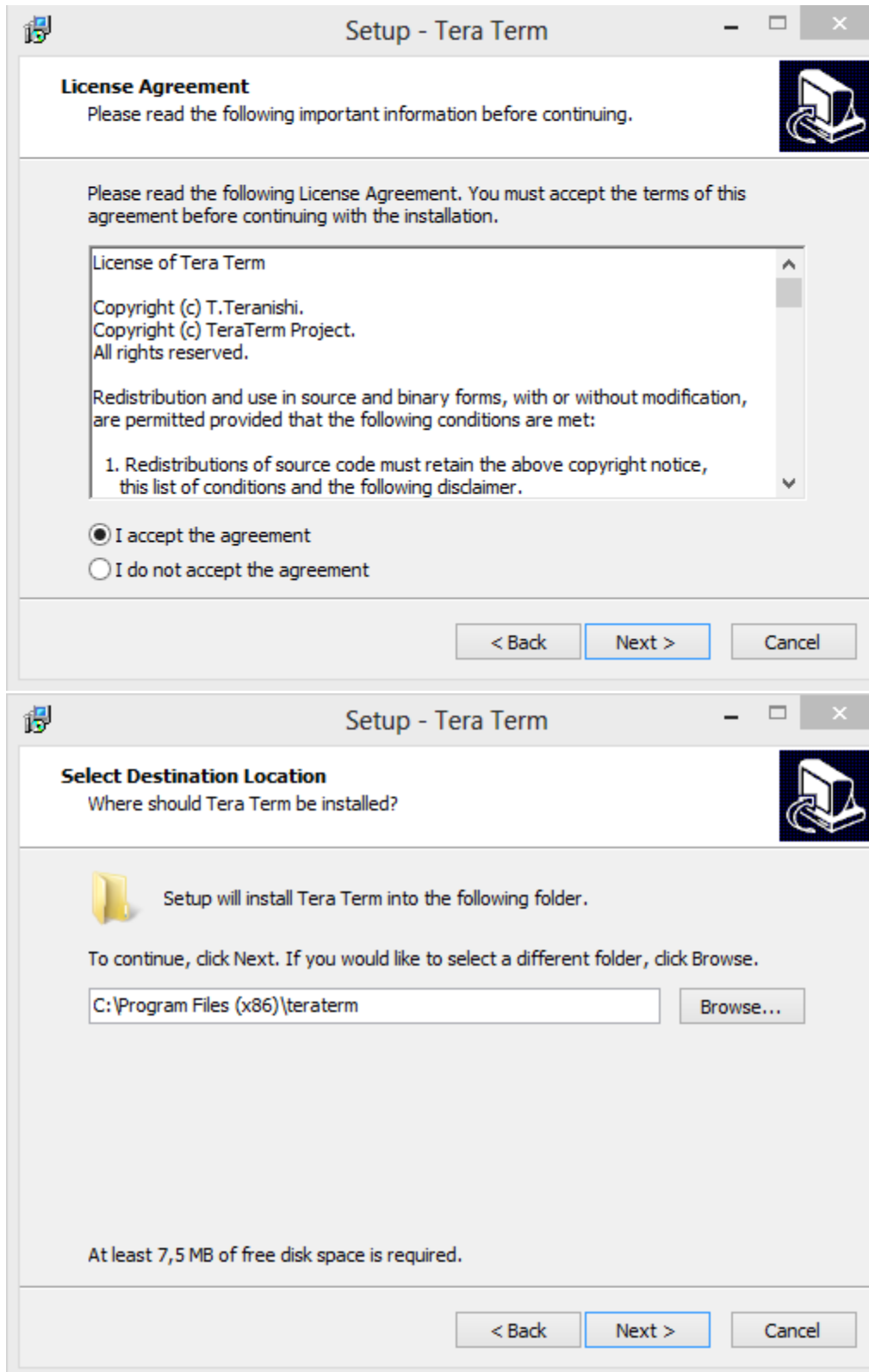
The screenshot shows the LogMeTT.com website. The header includes the site logo and a 'Login' link. A navigation menu contains 'Home', 'Products', 'Download', 'Support', 'Quick Tips', and 'About'. Below the menu, a breadcrumb trail reads 'Download > Tera Term'. A yellow icon with a blue 'T' is next to the heading 'Download Tera Term 4.79'. The text below states: 'Tera Term version 4.79 was released on September 1, 2013. The list of changes follows. To download Tera Term installation package from this web site you have to accept Freeware Software License Agreement and then click on Download icon.' At the bottom of the page, there is a checkbox labeled 'I have read and accept the terms and conditions of Tera Term License' which is checked, and a blue circular download button with a white arrow pointing down.

Accept the license term and press the download button.

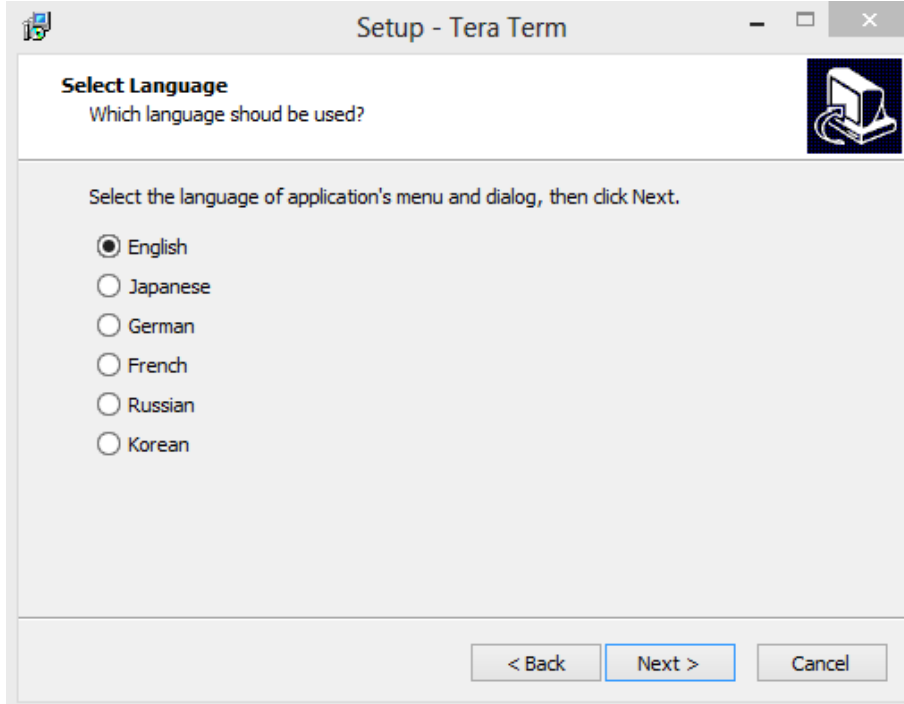
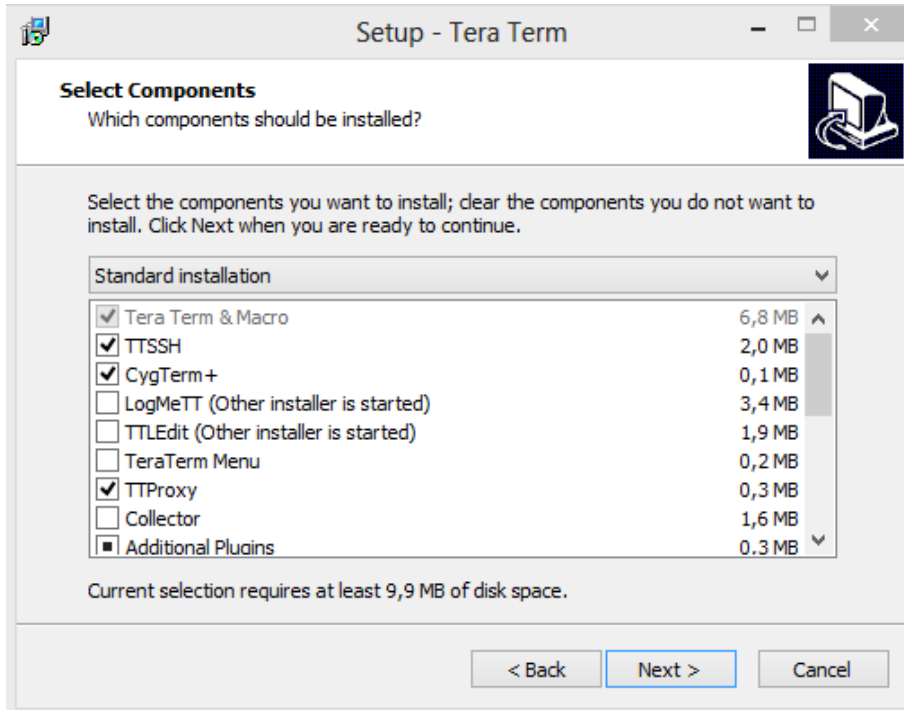
Installation

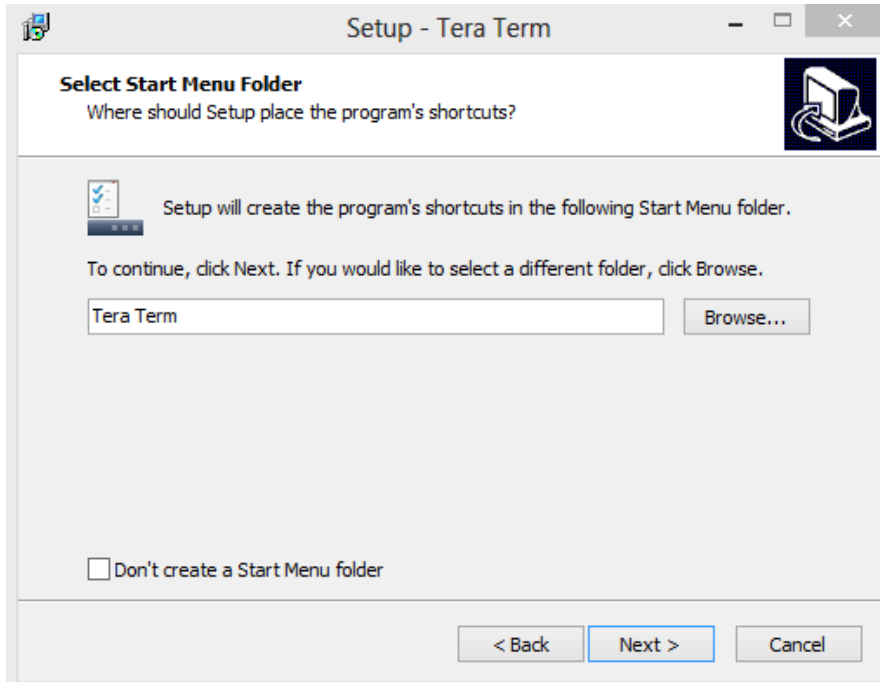
Follow the instructions of the installer.



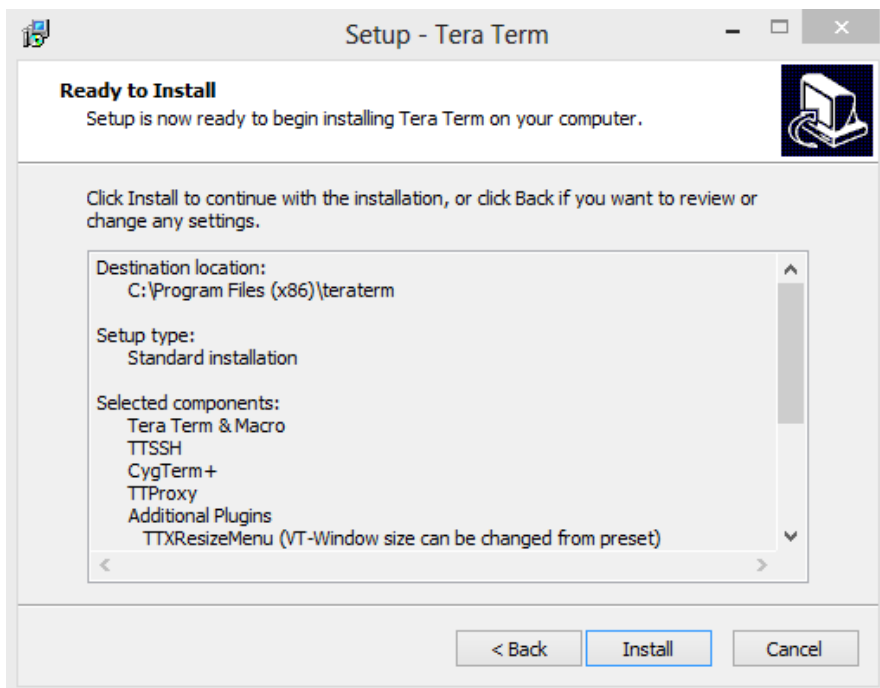


Select the “Standard installation”, and press next.

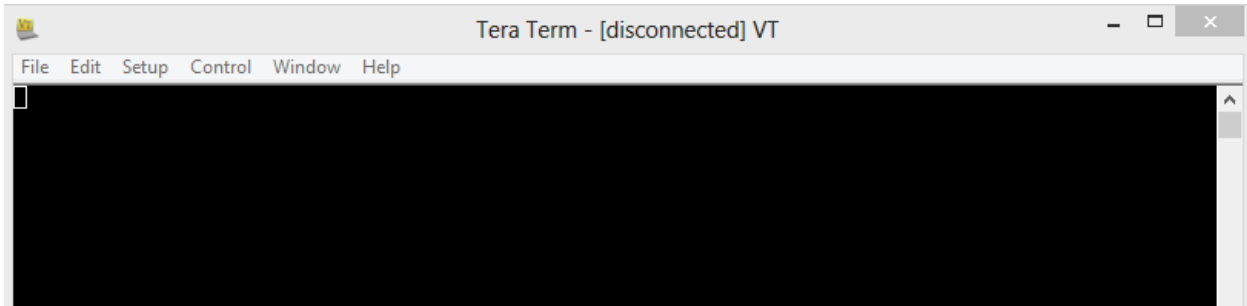




Press next until appears “Install” button, and press it.



When installation has ended, open Tera Term.

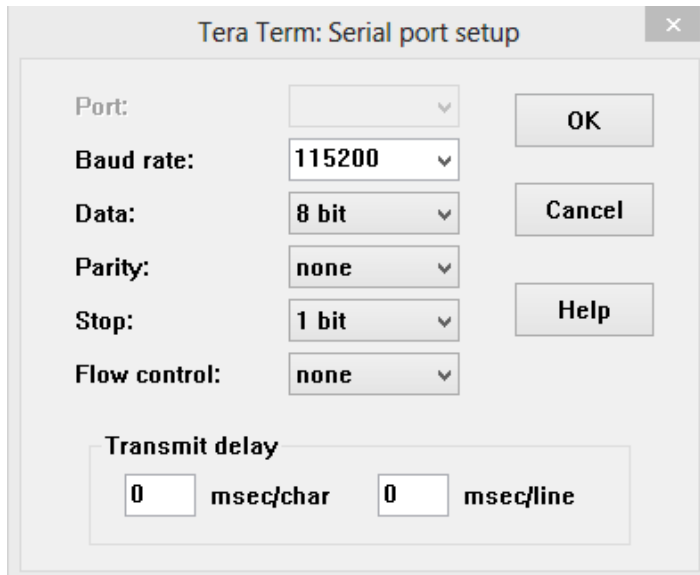


Configuration

Now it is necessary to configure properly the serial port in order to match i.Mx6 debug serial port.

Open "Setup" menu and select "Setup port..."

In the following picture are shown the correct parameters needed to talk with i.MX6 Debug Serial Port.

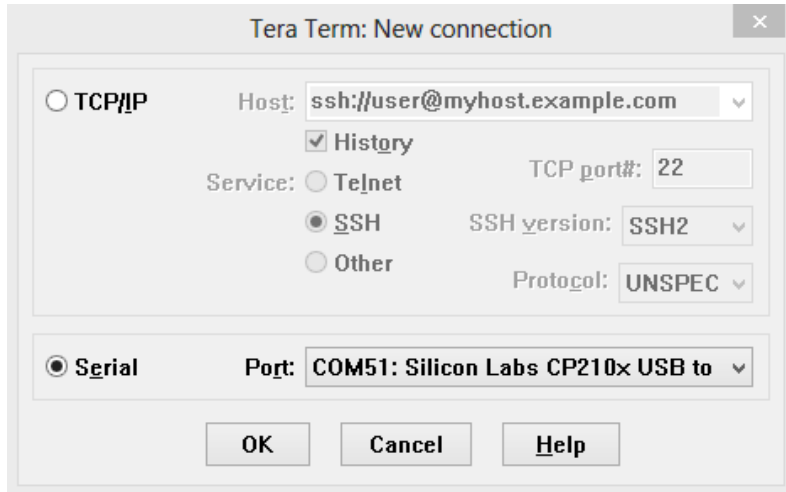


Press "OK".

Usage

Plug the USB cable to CN6 on UDOO and to an USB port of the host PC. The chip is powered by the USB cable, so it will be shown a serial port connected to the PC. Please be aware that if UDOO main power plug is not connected, then USB power supply is insufficient to let UDOO run.

Open File menu, select "New connection..." (Alt+N) and choose the correct serial port.



Press OK, then turn on UDOO board.

7.2.4. Linux

First of all it is necessary to install minicom

```
HOST$ sudo apt-get install minicom
```

Launch minicom in setup mode (and with Linewrap ON; this is not necessary, but it is useful)

```
HOST$ sudo minicom -sw
```

Select "Serial port setup" and check the following parameters:

- Serial Device, option A (usually, /dev/ttyS0 or /dev/ttyUSB0 in case an USB adapter is used)
- Communications parameters, option E (must be 115200 8N1)
- No flow control, neither hardware nor software, options F and G

Save the settings as default

"Exit" will close setup and open minicom. Instead, select "Exit from minicom" to close it completely. Launch minicom again without setup options

```
HOST$ sudo minicom -w
```

7.2.5. Mac OSX

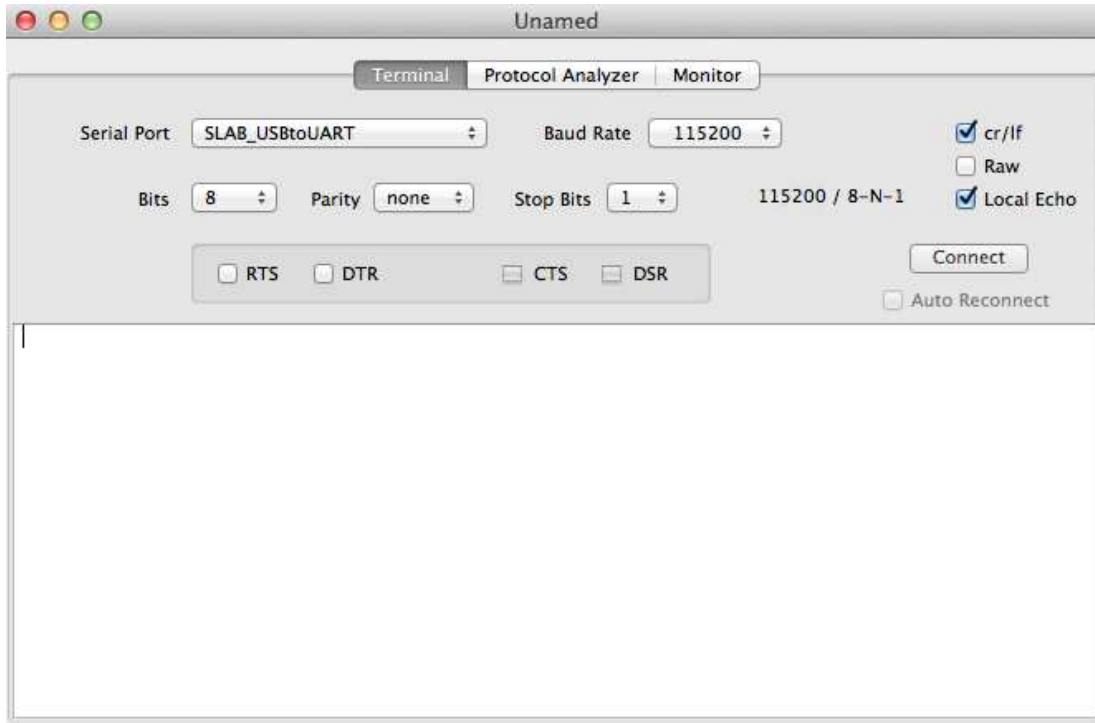
Download Serial Tools from:

<https://itunes.apple.com/it/app/serialtools/id611021963>

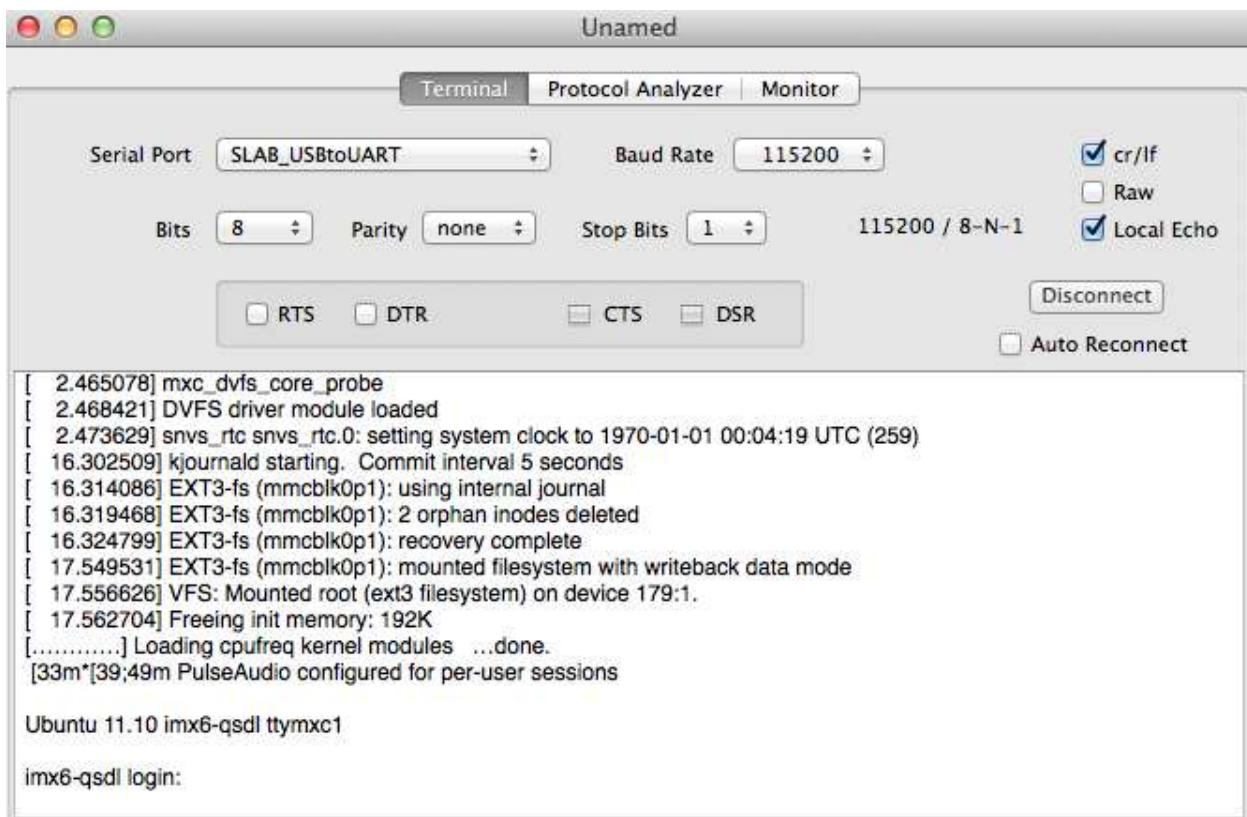
or directly from Apple Store.

Open Serial Tools, then change the following two parameters:

- the "Serial Port" name to "SLAB_USBtoUART" (or similar)
- the baudrate to 115200



Click on "Connect".



The picture above shows an example of output.

7.2.6. Final steps

By turning on UDOO, a lot of output lines coming out from UDOOs Serial Debug port will be shown on the serial port terminal. About 30 seconds after, it should be possible to access Linux or Android shell.

Android:
root@android:/ #

Linux Ubuntu:
Ubuntu 11.10 imx6-qsdl ttyMXC1
imx6-qsdl login: