

Slimline Lampholders

For 430mA Lamps



572 & 573 Series Slimline & Cold Cathode Lampholders

Suitable for outdoor applications when properly enclosed.

Specifications

Rating: 572: 660 Watts, 1000 V.

573: 660 Watts, 600 V

Listing: UL File No. E-13408;

CSA File No. LR95423. (CSA Certified if pitched)

572.X and 573.X versions UL listed and CSA certified for outdoor use in enclosed signs and fixtures.

Mounting: Butt-on mount or with a variety of brackets.

Materials

Housing: White urea

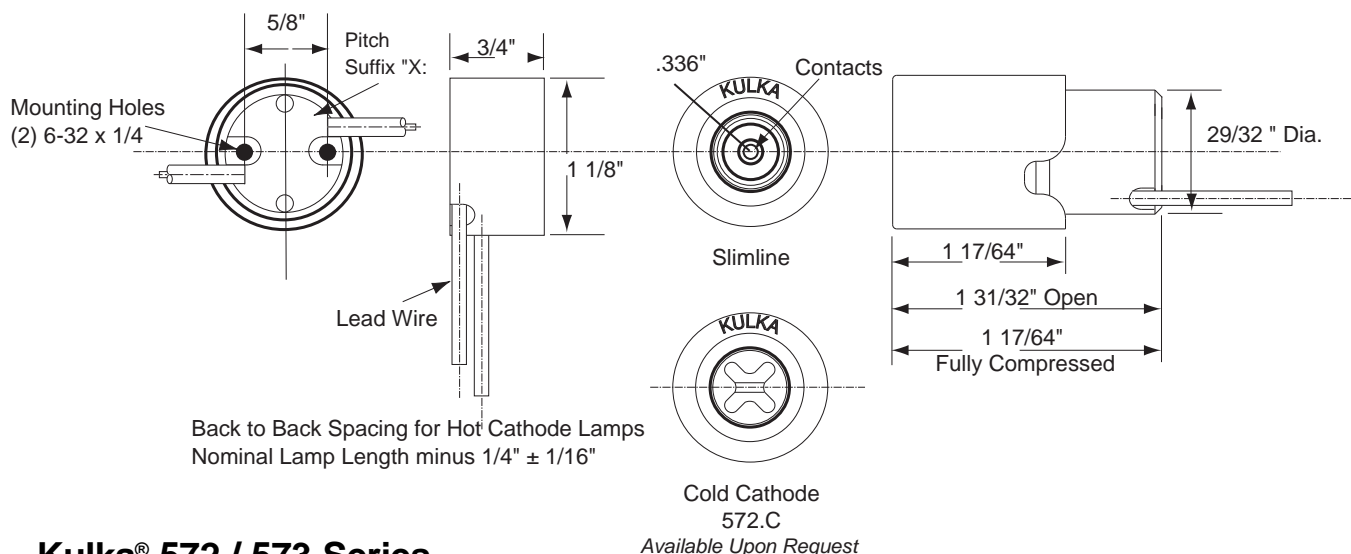
Contacts: Silver-plated copper alloy

Termination: Lead wires 9" (228.6 mm) long, 18 AWG stranded and tinned lead wires, 1/2" stripped, standard. Wire rated: AWM 600 V, 105°C (221°F).

572
Spring Loaded



573
Stationary



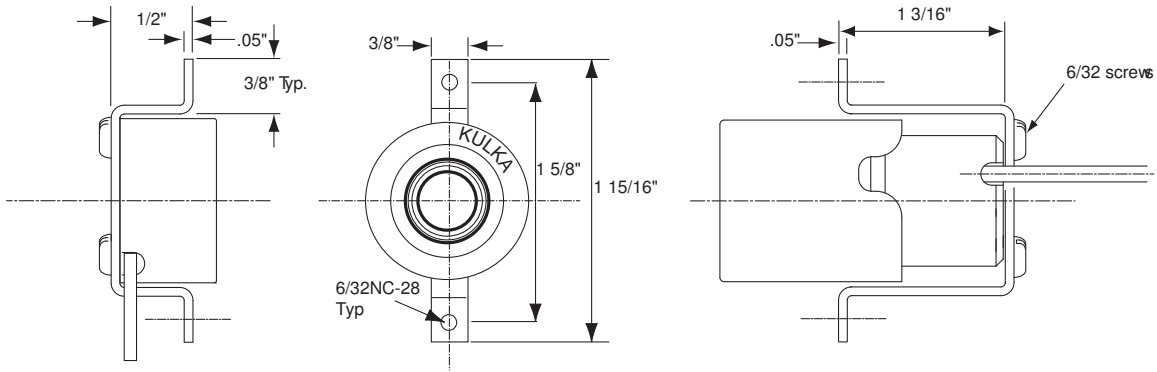
Kulka® 572 / 573 Series

Spring Part No.	Stationary Part No.	
572	573	Butt-on mounting, 9" long leadwires
572.X	573.X	Butt-on mounting, 9" long leadwires with pitch
572.H*	573.H*	Bracket mounting, 9" long leadwires with H bracket
572.HU*	573.HU*	Bracket mounting, 9" long leadwires with HU bracket
572.XHU*	573.XHU*	Bracket mounting, 9" long leadwires with HU bracket with pitch

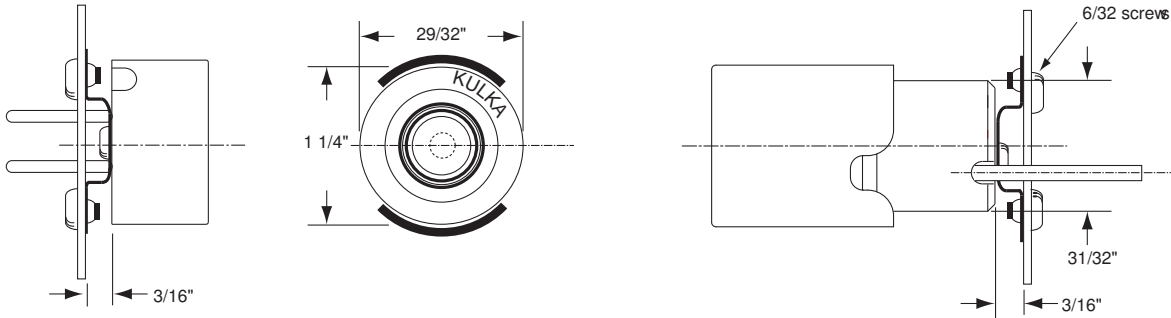
572 packed 1000/ box. 573 packed 500/ box. Part No.:8063.208.001: 6/32 x 1/4" mounting screws supplied in bulk.

*H and HU bracket styles packed 250/ box. **Special lead wire lengths available upon request, consult sales department.**

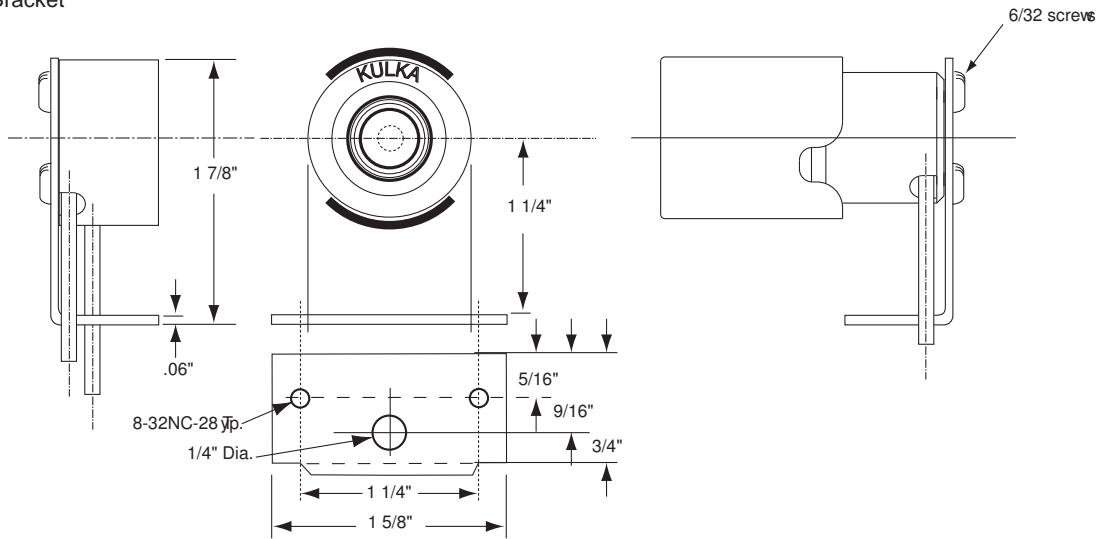
HU Bracket



S Bracket



H Bracket



LF Bracket

