

## 8742

### *Universal Peripheral Interface 8-Bit Slave Microcontroller*

The Intel 8742 is a general-purpose Universal Peripheral Interface that allows designers to grow their own customized solution for peripheral device control. It contains a low-cost microcomputer with 2K of program memory, 128 bytes of data memory, 8-bit timer/counter, and clock generator in a single 40-pin package. Interface registers are included to enable the UPI device to function as a peripheral controller in the MCS-48, MCS-80, MCS-85, 8088, 8086, and other 8-, 16-bit systems.

The 8742 is software, pin, and architecturally compatible with the 8741A. The 8742 doubles the on-chip memory space to allow for additional features and performance to be incorporated in upgraded 8741A designs. For new designs, the additional memory and performance of the 8742 extends the UPI concept to more complex motor control tasks, 80-column printers and process control applications as examples.

---

#### **Rochester Electronics Manufactured Components**

Rochester branded components are manufactured using either die/wafers purchased from the original suppliers or Rochester wafers recreated from the original IP. All recreations are done with the approval of the OCM.

Parts are tested using original factory test programs or Rochester developed test solutions to guarantee product meets or exceeds the OCM data sheet.

#### **Quality Overview**

- ISO-9001
- AS9120 certification
- Qualified Manufacturers List (QML) MIL-PRF-38535
  - Class Q Military
  - Class V Space Level
- Qualified Suppliers List of Distributors (QSLD)
  - Rochester is a critical supplier to DLA and meets all industry and DLA standards.

Rochester Electronics, LLC is committed to supplying products that satisfy customer expectations for quality and are equal to those originally supplied by industry manufacturers.

---

*The original manufacturer's datasheet accompanying this document reflects the performance and specifications of the Rochester manufactured version of this device. Rochester Electronics guarantees the performance of its semiconductor products to the original OEM specifications. 'Typical' values are for reference purposes only. Certain minimum or maximum ratings may be based on product characterization, design, simulation, or sample testing.*

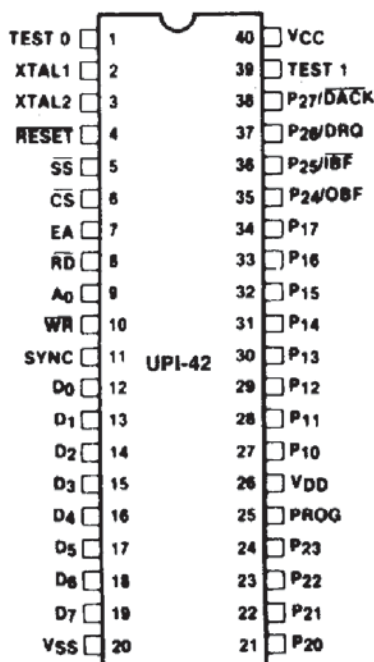


## 8742 UNIVERSAL PERIPHERAL INTERFACE 8-BIT SLAVE MICROCONTROLLER

- 8742: 12 MHz
- Pin, Software and Architecturally Compatible with 8741A
- 8-Bit CPU plus ROM, RAM, I/O, Timer and Clock in a Single Package
- 2048 x 8 EPROM, 128 x 8 RAM, 8-Bit Timer/Counter, 18 Programmable I/O Pins
- One 8-Bit Status and Two Data Registers for Asynchronous Slave-to-Master Interface
- DMA, Interrupt, or Polled Operation Supported
- Fully Compatible with all Intel and Most Other Microprocessor Families
- Expandable I/O
- RAM Power-Down Capability
- Over 90 Instructions: 70% Single Byte
- Available in EXPRESS  
— Standard Temperature Range

The Intel 8742 is a general-purpose Universal Peripheral Interface that allows designers to grow their own customized solution for peripheral device control. It contains a low-cost microcomputer with 2K of program memory, 128 bytes of data memory, 8-bit timer/counter, and clock generator in a single 40-pin package. Interface registers are included to enable the UPI device to function as a peripheral controller in the MCS<sup>®</sup>-48, MCS-51, MCS-80, MCS-85, 8088, 8086 and other 8-, 16-bit systems.

The 8742 is software, pin, and architecturally compatible with the 8741A. The 8742 doubles the on-chip memory space to allow for additional features and performance to be incorporated in upgraded 8741A designs. For new designs, the additional memory and performance of the 8742 extends the UPI concept to more complex motor control tasks, 80-column printers and process control applications as examples.



290256-2

Figure 1. Pin Configuration

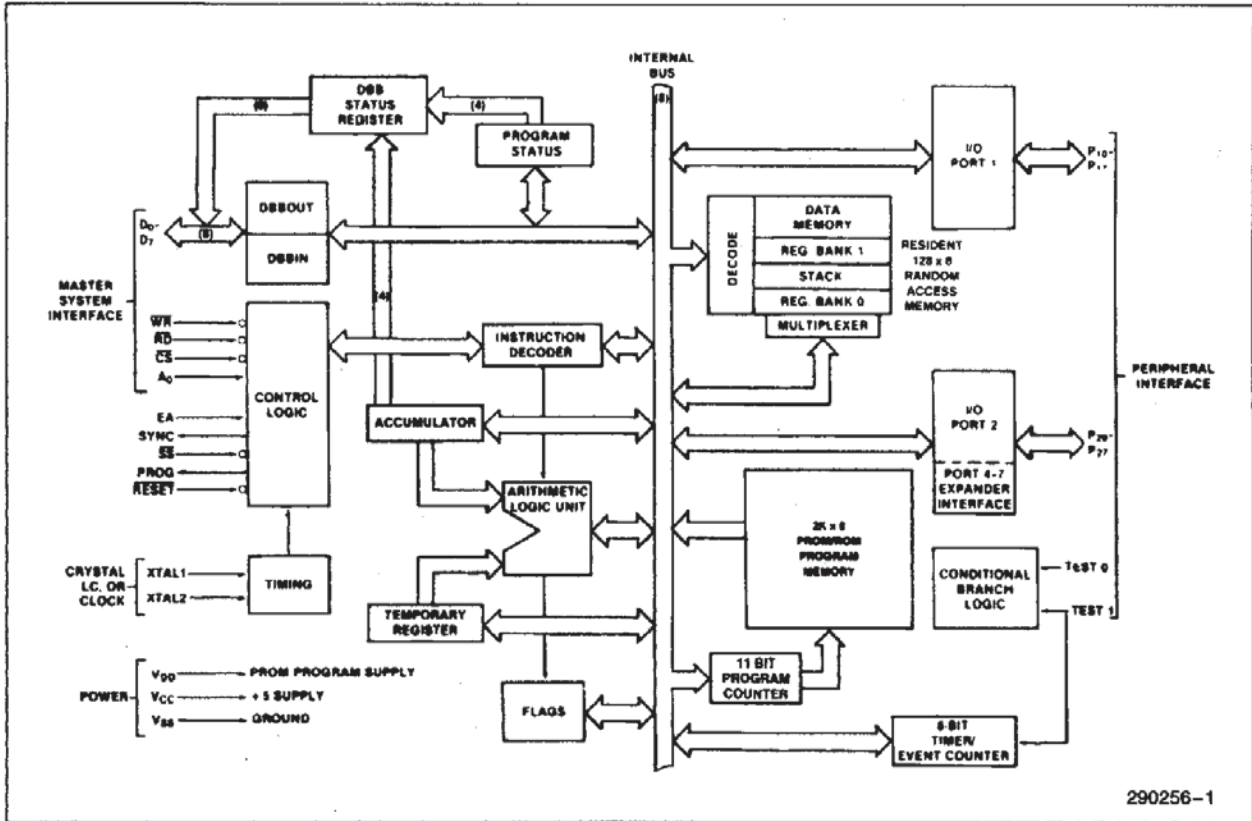


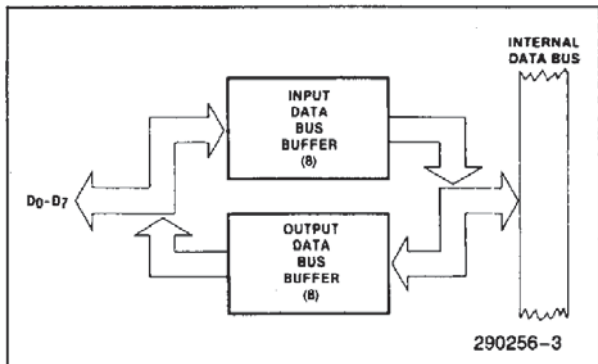
Figure 2. Block Diagram

Table 1. Pin Description

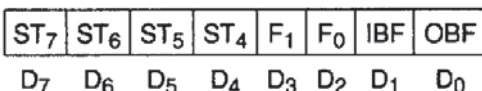
Symbol	DIP Pin No.	Type	Name and Function
TEST 0, TEST 1	1 39	I	<b>TEST INPUTS:</b> Input pins which can be directly tested using conditional branch instructions. <b>FREQUENCY REFERENCE:</b> TEST 1 ( $T_1$ ) also functions as the event timer input (under software control). TEST 0 ( $T_0$ ) is used during PROM programming and EPROM verification.
XTAL 1, XTAL 2	2 3	I	<b>INPUTS:</b> Inputs for a crystal, LC or an external timing signal to determine the internal oscillator frequency.
RESET	4	I	<b>RESET:</b> Input used to reset status flip-flops and to set the program counter to zero. RESET is also used during EPROM programming and verification.
SS	5	I	<b>SINGLE STEP:</b> Single step input used in conjunction with the SYNC output to step the program through each instruction (EPROM). This should be tied to +5V when not used.
CS	6	I	<b>CHIP SELECT:</b> Chip select input used to select one UPI microcomputer out of several connected to a common data bus.
EA	7	I	<b>EXTERNAL ACCESS:</b> External access input which allows emulation, testing and EPROM verification. This pin should be tied low if unused.
RD	8	I	<b>READ:</b> I/O read input which enables the master CPU to read data and status words from the OUTPUT DATA BUS BUFFER or status register.
A <sub>0</sub>	9	I	<b>COMMAND/DATA SELECT:</b> Address Input used by the master processor to indicate whether byte transfer is data ( $A_0 = 0$ , F1 is reset) or command ( $A_0 = 1$ , F1 is set). $A_0 = 0$ during program and verify operations.
WR	10	I	<b>WRITE:</b> I/O write input which enables the master CPU to write data and command words to the UPI INPUT DATA BUS BUFFER.
SYNC	11	O	<b>OUTPUT CLOCK:</b> Output signal which occurs once per UPI instruction cycle. SYNC can be used as a strobe for external circuitry; it is also used to synchronize single step operation.
D <sub>0</sub> -D <sub>7</sub> (BUS)	12-19	I/O	<b>DATA BUS:</b> Three-state, bidirectional DATA BUS BUFFER lines used to interface the UPI microcomputer to an 8-bit master system data bus.
P <sub>10</sub> -P <sub>17</sub>	27-34	I/O	<b>PORT 1:</b> 8-bit, PORT 1 quasi-bidirectional I/O lines.
P <sub>20</sub> -P <sub>27</sub>	21-24 35-38	I/O	<b>PORT 2:</b> 8-bit, PORT 2 quasi-bidirectional I/O lines. The lower 4 bits ( $P_{20}$ - $P_{23}$ ) interface directly to the 8243 I/O expander device and contain address and data information during PORT 4-7 access. The upper 4 bits ( $P_{24}$ - $P_{27}$ ) can be programmed to provide interrupt Request and DMA Handshake capability. Software control can configure $P_{24}$ as Output Buffer Full (OBF) interrupt, $P_{25}$ as Input Buffer Full (IBF) interrupt, $P_{26}$ as DMA Request (DRQ), and $P_{27}$ as DMA ACKnowledge (DACK).
PROG	25	I/O	<b>PROGRAM:</b> Multifunction pin used as the program pulse input during PROM programming. During I/O expander access the PROG pin acts as an address/data strobe to the 8243. This pin should be tied high if unused.
V <sub>CC</sub>	40		<b>POWER:</b> +5V main power supply pin.
V <sub>DD</sub>	26		<b>POWER:</b> +5V during normal operation. +21V during programming operation. Low power standby supply pin.
V <sub>SS</sub>	20		<b>GROUND:</b> Circuit ground potential.

**UPI-42 FEATURES**

- Two Data Bus Buffers, one for input and one for output. This allows a much cleaner Master/Slave protocol.

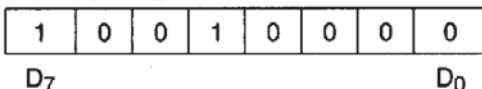


- 8 Bits of Status

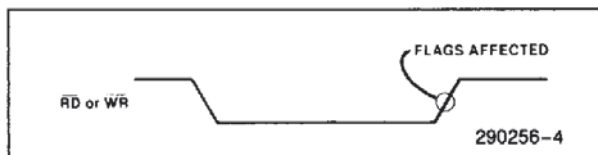


ST<sub>4</sub>–ST<sub>7</sub> are user definable status bits. These bits are defined by the “MOV STS, A” single byte, single cycle instruction. Bits 4–7 of the accumulator are moved to bits 4–7 of the status register. Bits 0–3 of the status register are not affected.

MOV STS, A Op Code: 90H



- $\overline{RD}$  and  $\overline{WR}$  are edge triggered. IBF, OBF, F<sub>1</sub> and INT change internally after the trailing edge of  $\overline{RD}$  or  $\overline{WR}$ .



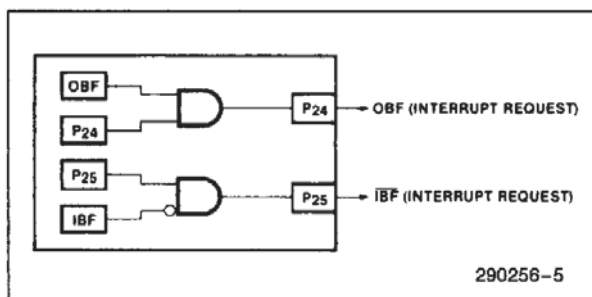
During the time that the host CPU is reading the status register, the 8742 is prevented from updating this register or is “locked out”.

- P<sub>24</sub> and P<sub>25</sub> are port pins or Buffer Flag pins which can be used to interrupt a master processor. These pins default to port pins on Reset.

If the “EN FLAGS” instruction has been executed, P<sub>24</sub> becomes the OBF (Output Buffer Full) pin. A “1” written to P<sub>24</sub> enables the OBF pin (the pin outputs the OBF Status Bit). A “0” written to P<sub>24</sub> disables the OBF pin (the pin remains low). This pin can be used to indicate that valid data is available from the UPI-41A (in Output Data Bus Buffer).

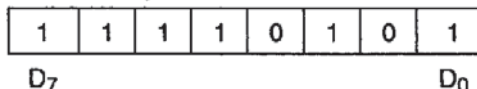
If “EN FLAGS” has been executed, P<sub>25</sub> becomes the IBF (Input Buffer Full) pin. A “1” written to P<sub>25</sub> enables the IBF pin (the pin outputs the inverse of

the IBF Status Bit. A “0” written to P<sub>25</sub> disables the IBF pin (the pin remains low). This pin can be used to indicate that the UPI is ready for data.



**Data Bus Buffer Interrupt Capability**

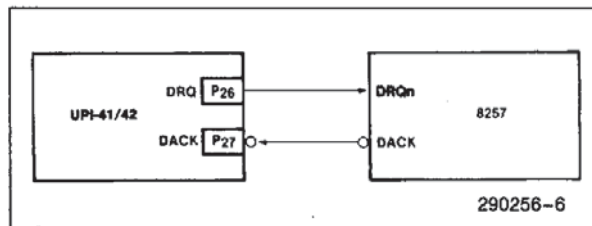
EN FLAGS Op Code: 0F5H



- P<sub>26</sub> and P<sub>27</sub> are port pins or DMA handshake pins for use with a DMA controller. These pins default to port pins on Reset.

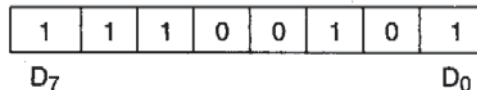
If the “EN DMA” instruction has been executed, P<sub>26</sub> becomes the DRQ (DMA Request) pin. A “1” written to P<sub>26</sub> causes a DMA request (DRQ is activated). DRQ is deactivated by DACK•RD, DACK•WR, or execution of the “EN DMA” instruction.

If “EN DMA” has been executed, P<sub>27</sub> becomes the  $\overline{DACK}$  (DMA Acknowledge) pin. This pin acts as a chip select input for the Data Bus Buffer registers during DMA transfers.



**DMA Handshake Capability**

EN DMA Op Code: 0E5H

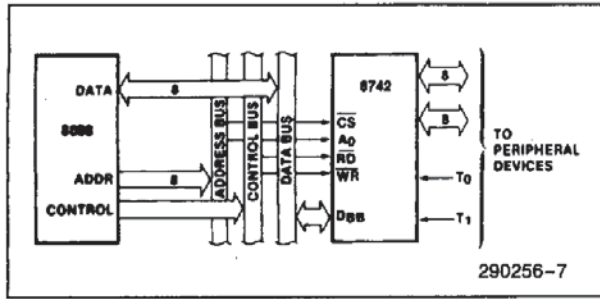


- The RESET input on the 8742, includes a 2-stage synchronizer to support reliable reset operation for 12 MHz operation.

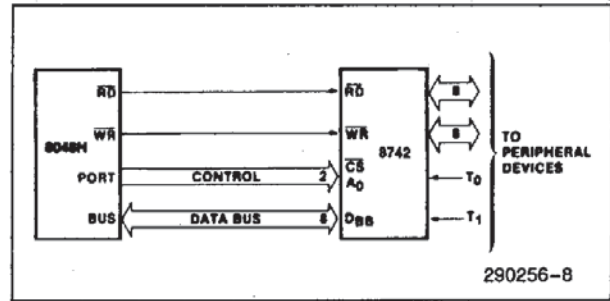
- When EA is enabled on the 8742, the program counter is placed on Port 1 and the lower three bits of Port 2 (MSB = P<sub>22</sub>, LSB = P<sub>10</sub>). On the 8742 this information is multiplexed with PORT DATA (see port timing diagrams at end of this data sheet).

4

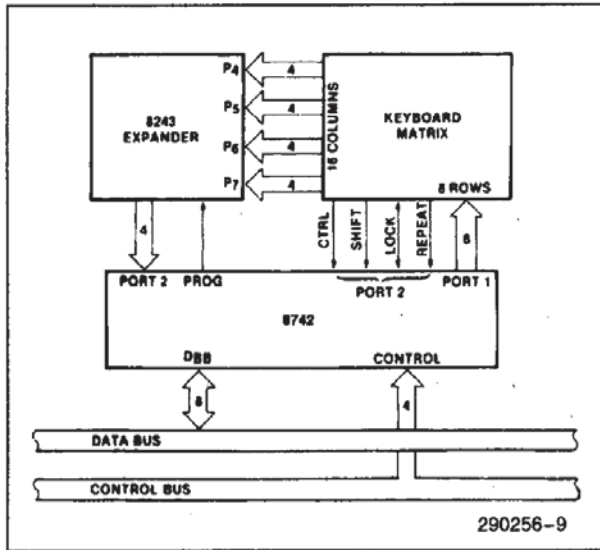
**APPLICATIONS**



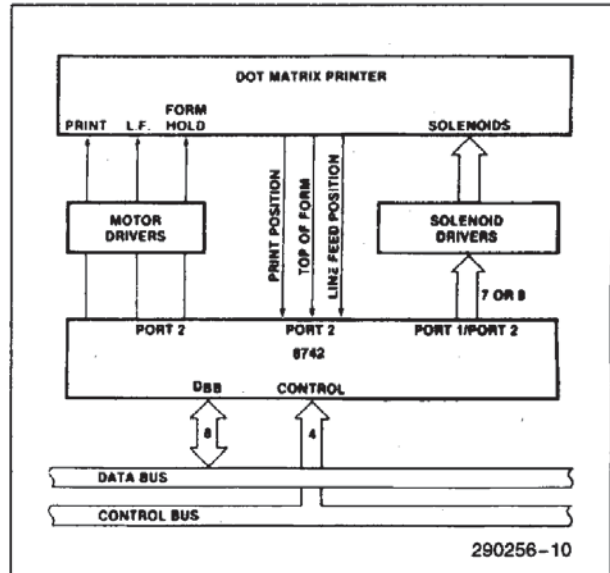
**Figure 3. 8088-8742 Interface**



**Figure 4. 8048H-8742 Interface**



**Figure 5. 8742-8243 Keyboard Scanner**



**Figure 6. 8742 80-Column Matrix Printer Interface**

## PROGRAMMING, VERIFYING, AND ERASING THE 8742 EPROM

### Programming Verification

In brief, the programming process consists of: activating the program mode, applying an address, latching the address, applying data, and applying a programming pulse. Each word is programmed completely before moving on to the next and is followed by a verification step. The following is a list of the pins used for programming and a description of their functions:

Pin	Function
XTAL 1	Clock-Input
Reset	Initialization and Address Latching
Test 0	Selection of Program or Verify Mode
EA	Activation of Program/Verify Modes
BUS	Address and Data Input Data Output During Verify
P <sub>20-12</sub>	Address Input
V <sub>DD</sub>	Programming Power Supply
PROG	Program Pulse Input

**WARNING**

An attempt to program a missocketed 8742 will result in severe damage to the part. An indication of a properly socketed part is the appearance of the SYNC clock output. The lack of this clock may be used to disable the programmer.

The Program/Verify sequence is:

1.  $A_0 = 0V$ ,  $CS = 5V$ ,  $EA = 5V$ ,  $RESET = 0V$ ,  $TEST_0 = 5V$ ,  $V_{DD} = 5V$ , clock applied or internal oscillator operating, BUS floating,  $PROG = 5V$ .
2. Insert 8742 in programming socket
3.  $TEST_0 = 0V$  (select program mode)
4.  $EA = 18V$  (active program mode)
5. Address applied to BUS and P<sub>20-22</sub>
6.  $RESET = 5V$  (latch address)

7. Data applied to BUS\*\*
8.  $V_{DD} = 21V$  (programming power)
9.  $PROG = V_{CC}$  followed by one 50 ms pulse to 18V
10.  $V_{DD} = 5V$
11.  $TEST_0 = 5V$  (verify mode)
12. Read and verify data on BUS
13.  $TEST_0 = 0V$
14.  $RESET = 0V$  and repeat from step 5
15. Programmer should be at conditions of step 1 when 8742 is removed from socket

### 8742 Erasure Characteristics

The erasure characteristics of the 8742 are such that erasure begins to occur when exposed to light with wavelengths shorter than approximately 4000 Angstroms (Å). It should be noted that sunlight and certain types of fluorescent lamps have wavelengths in the 3000-4000Å range. Data shows that constant exposure to room level fluorescent lighting could erase the typical 8742 in approximately 3 years while it would take approximately one week to cause erasure when exposed to direct sunlight. If the 8742 is to be exposed to these types of lighting conditions for extended periods of time, opaque labels are available from Intel which should be placed over the 8742 window to prevent unintentional erasure.

The recommended erasure procedure for the 8742 is exposure to shortwave ultraviolet light which has a wavelength of 2537Å. The integrated dose (i.e., UV intensity × exposure time) for erasure should be a minimum of 15 w-sec/cm<sup>2</sup>. The erasure time with this dosage is approximately 15 to 20 minutes using an ultraviolet lamp with a 12,000 μW/cm<sup>2</sup> power rating. The 8742 should be placed within one inch of the lamp tubes during erasure. Some lamps have a filter on their tubes which should be removed before erasure.

4

**ABSOLUTE MAXIMUM RATINGS\***

Ambient Temperature Under Bias ..... 0°C to 70°C  
 Storage Temperature ..... -65°C to +150°C  
 Voltage on Any Pin With Respect  
 to Ground ..... -0.5 to +7V  
 Power Dissipation ..... 1.5W

NOTICE: This is a production data sheet. The specifications are subject to change without notice.

\*WARNING: Stressing the device beyond the "Absolute Maximum Ratings" may cause permanent damage. These are stress ratings only. Operation beyond the "Operating Conditions" is not recommended and extended exposure beyond the "Operating Conditions" may affect device reliability.

**D.C. CHARACTERISTICS**  $T_A = 0^\circ$  to  $+70^\circ\text{C}$ ,  $V_{CC} = V_{DD} = +5\text{V} \pm 10\%$ 

Symbol	Parameter	8742		Units	Test Conditions
		Min	Max		
$V_{IL}$	Input Low Voltage (Except XTAL1, XTAL2, RESET)	-0.5	0.8	V	
$V_{IL1}$	Input Low Voltage (XTAL1, XTAL2, RESET)	-0.5	0.6	V	
$V_{IH}$	Input High Voltage (Except XTAL1, XTAL2, RESET)	2.0	$V_{CC}$	V	
$V_{IH1}$	Input High Voltage (XTLA1, XTAL2, RESET)	3.5	$V_{CC}$	V	
$V_{OL}$	Output Low Voltage ( $D_0$ - $D_7$ )		0.45	V	$I_{OL} = 2.0\text{ mA}$
$V_{OL1}$	Output Low Voltage ( $P_{10}$ - $P_{17}$ , $P_{20}$ - $P_{27}$ , Sync)		0.45	V	$I_{OL} = 1.6\text{ mA}$
$V_{OL2}$	Output Low Voltage (PROG)		0.45	V	$I_{OL} = 1.0\text{ mA}$
$V_{OH}$	Output High Voltage ( $D_0$ - $D_7$ )	2.4		V	$I_{OH} = -400\ \mu\text{A}$
$V_{OH1}$	Output High Voltage (All Other Outupts)	2.4			$I_{OH} = -50\ \mu\text{A}$
$I_{IL}$	Input Leakage Current ( $T_0$ , $T_1$ , RD, WR, CS, $A_0$ , EA)		$\pm 10$	$\mu\text{A}$	$V_{SS} \leq V_{IN} \leq V_{CC}$
$I_{OFL}$	Output Leakage Current ( $D_0$ - $D_7$ , High Z State)		$\pm 10$	$\mu\text{A}$	$V_{SS} + 0.45 \leq V_{OUT} \leq V_{CC}$
$I_{LI}$	Low Input Load Current ( $P_{10}$ - $P_{17}$ , $P_{20}$ - $P_{27}$ )		0.3	mA	$V_{IL} = 0.8\text{V}$
$I_{LI1}$	Low Input Load Current (RESET, SS)		0.2	mA	$V_{IL} = 0.8\text{V}$
$I_{DD}$	$V_{DD}$ Supply Current		10	mA	Typical = 5 mA
$I_{CC} + I_{DD}$	Total Supply Current		125	mA	Typical = 60 mA
$I_{IH}$	Input Leakage Current ( $P_{10}$ - $P_{17}$ , $P_{20}$ - $P_{27}$ )		100	$\mu\text{A}$	$V_{IN} = V_{CC}$
$C_{IN}$	Input Capacitance		10	pF	
$C_{I0}$	I/O Capacitance		20	pF	

**D.C. CHARACTERISTICS—PROGRAMMING**

$T_A = 25^\circ\text{C} \pm 5^\circ\text{C}$ ,  $V_{CC} = 5\text{V} \pm 5\%$ ,  $V_{DD} = 21\text{V} \pm 0.5\text{V}$

Symbol	Parameter	Min	Max	Units	Test Conditions
$V_{DOH}$	$V_{DD}$ Program Voltage High Level	20.5	21.5	V	
$V_{DDL}$	$V_{DD}$ Voltage Low Level	4.75	5.25	V	
$V_{PH}$	PROG Program Voltage High Level	17.5	18.5	V	
$V_{PL}$	PROG Voltage Low Level	$V_{CC} - 0.5$	$V_{CC}$	V	
$V_{EAH}$	EA Program or Verify Voltage High Level	17.5	18.5	V	
$V_{EAL}$	EA Voltage Low Level		5.25	V	
$I_{DD}$	$V_{DD}$ High Voltage Supply Current		30.0	mA	
$I_{PROG}$	PROG High Voltage Supply Current		1.0	mA	
$I_{EA}$	EA High Voltage Supply Current		1.0	mA	



**A.C. CHARACTERISTICS**  $T_A = 0^\circ\text{C to } +70^\circ\text{C}$ ,  $V_{SS} = 0\text{V}$ ,  $V_{CC} = V_{DD} = +5\text{V} \pm 10\%$   
**DBB READ**

Symbol	Parameter	8742		Units
		Min	Max	
$t_{AR}$	CS, $A_0$ Setup to RD $\downarrow$	0		ns
$t_{RA}$	CS, $A_0$ Hold after RD $\uparrow$	0		ns
$t_{RR}$	RD Pulse Width	160		ns
$t_{AD}$	CS, $A_0$ to Data Out Delay		130	ns
$t_{RD}$	RD $\downarrow$ to Data Out Delay		130	ns
$t_{DF}$	RD $\uparrow$ to Data Float Delay		85	ns
$t_{CY}$	Cycle Time	1.25	15	$\mu\text{s}^{(1)}$

**DBB WRITE**

Symbol	Parameter	Min	Max	Units
$t_{AW}$	CS, $A_0$ Setup to WR $\downarrow$	0		ns
$t_{WA}$	CS, $A_0$ Hold after WR $\uparrow$	0		ns
$t_{WW}$	WR Pulse Width	160		ns
$t_{DW}$	Data Setup to WR $\uparrow$	130		ns
$t_{WD}$	Data Hold after WR $\uparrow$	0		ns

**NOTE:**

 1.  $T_{CY} = 15/f(\text{XTAL})$ 
**A.C. CHARACTERISTICS**  $T_A = 25^\circ\text{C} \pm 5^\circ\text{C}$ ,  $V_{CC} = 5\text{V} \pm 5\%$ ,  $V_{DD} = +21\text{V} \pm 0.5$   
**PROGRAMMING**

Symbol	Parameter	Min	Max	Units	Test Conditions
$t_{AW}$	Address Setup Time to RESET $\uparrow$	$4t_{CY}$			
$t_{WA}$	Address Hold Time after RESET $\uparrow$	$4t_{CY}$			
$t_{DW}$	Data in Setup Time to PROG $\uparrow$	$4t_{CY}$			
$t_{WD}$	Data in Hold Time after PROG $\downarrow$	$4t_{CY}$			
$t_{PH}$	RESET Hold Time to Verify	$4t_{CY}$			
$t_{VDDW}$	$V_{DD}$ Setup Time to PROG $\uparrow$	0	1.0	mS	
$t_{VDDH}$	$V_{DD}$ Hold Time after PROG $\uparrow$	0	1.0	mS	
$t_{PW}$	Program Pulse Width	50	60	mS	
$t_{TW}$	Test 0 Setup Time for Program Mode	$4t_{CY}$			
$t_{WT}$	Test 0 Hold Time after Program Mode	$4t_{CY}$			
$t_{DO}$	Test 0 to Data Out Delay		$4t_{CY}$		
$t_{WW}$	RESET Pulse Width to Latch Address	$4t_{CY}$			
$t_r, t_f$	$V_{DD}$ and PROG Rise and Fall Times	0.5	2.0	$\mu\text{s}$	
$t_{CY}$	CPU Operation Cycle Time	4.0		$\mu\text{s}$	
$t_{RE}$	RESET Setup Time before EA $\uparrow$	$4t_{CY}$			

**NOTE:**

 If TEST 0 is high,  $t_{DO}$  can be triggered by RESET  $\uparrow$ .

## A.C. CHARACTERISTICS DMA

Symbol	Parameter	8642/8742		Units
		Min	Max	
$t_{ACC}$	DACK to WR or RD	0		ns
$t_{CAC}$	RD or WR to DACK	0		ns
$t_{ACD}$	DACK to Data Valid		130	ns
$t_{CRQ}$	RD or WR to L/RQ Cleared		100	ns <sup>(1)</sup>

## NOTE:

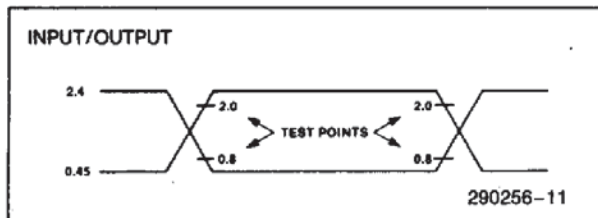
1.  $C_L = 150$  pF.A.C. CHARACTERISTICS PORT 2  $T_A = 0^\circ\text{C}$  to  $+70^\circ\text{C}$ ,  $V_{CC} = +5\text{V} \pm 10\%$ 

Symbol	Parameter	$f(t_{CY})$	8742/8642 <sup>(3)</sup>		Units
			Min	Max	
$t_{CP}$	Port Control Setup before Falling Edge of PROG	$1/15 t_{CY} - 28$	55		ns <sup>(1)</sup>
$t_{PC}$	Port Control Hold after Falling Edge of PROG	$1/10 t_{CY}$	125		ns <sup>(2)</sup>
$t_{PR}$	PROG to Time P2 Input Must Be Valid	$8/15 t_{CY} - 16$		650	ns <sup>(1)</sup>
$t_{PF}$	Input Data Hold Time		0	150	ns <sup>(2)</sup>
$t_{DP}$	Output Data Setup Time	$2/10 t_{CY}$	250		ns <sup>(1)</sup>
$t_{PD}$	Output Data Hold Time	$1/10 t_{CY} - 80$	45		ns <sup>(2)</sup>
$t_{PP}$	PROG Pulse Width	$6/10 t_{CY}$	750		ns

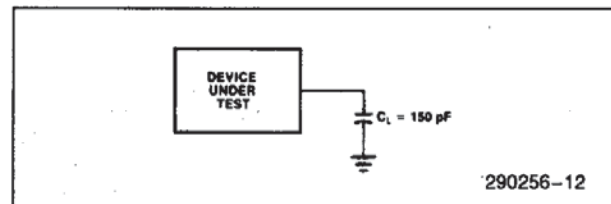
## NOTES:

- $C_L = 80$  pF.
- $C_L = 20$  pF.
- $t_{CY} = 1.25$   $\mu\text{s}$ .

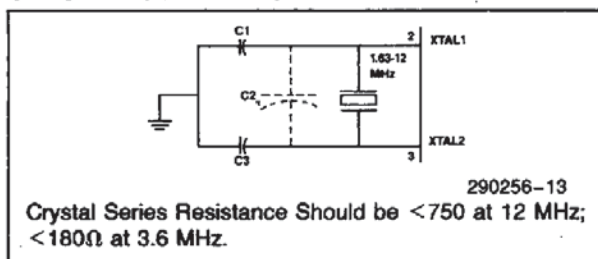
## A.C. TESTING INPUT/OUTPUT WAVEFORM



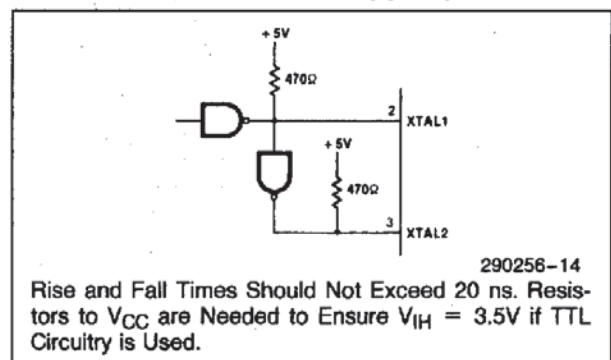
## A.C. TESTING LOAD CIRCUIT



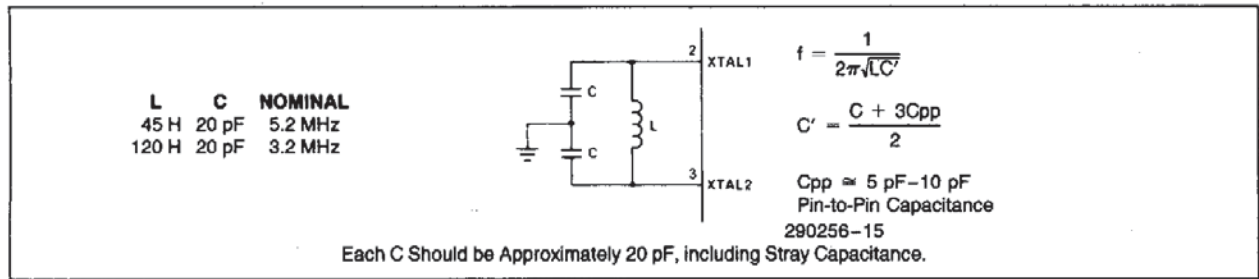
## CRYSTAL OSCILLATOR MODE



## DRIVING FROM EXTERNAL SOURCE

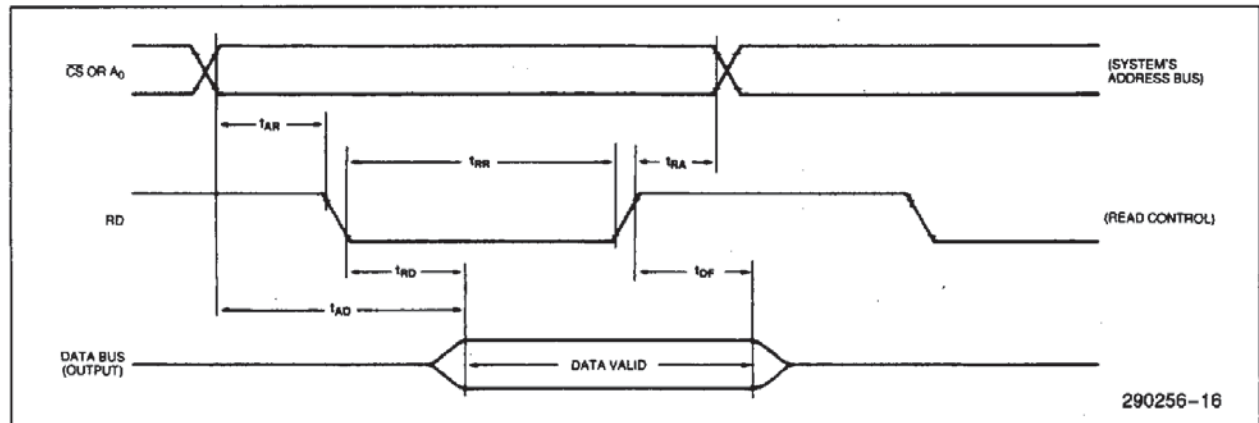


LC OSCILLATOR MODE



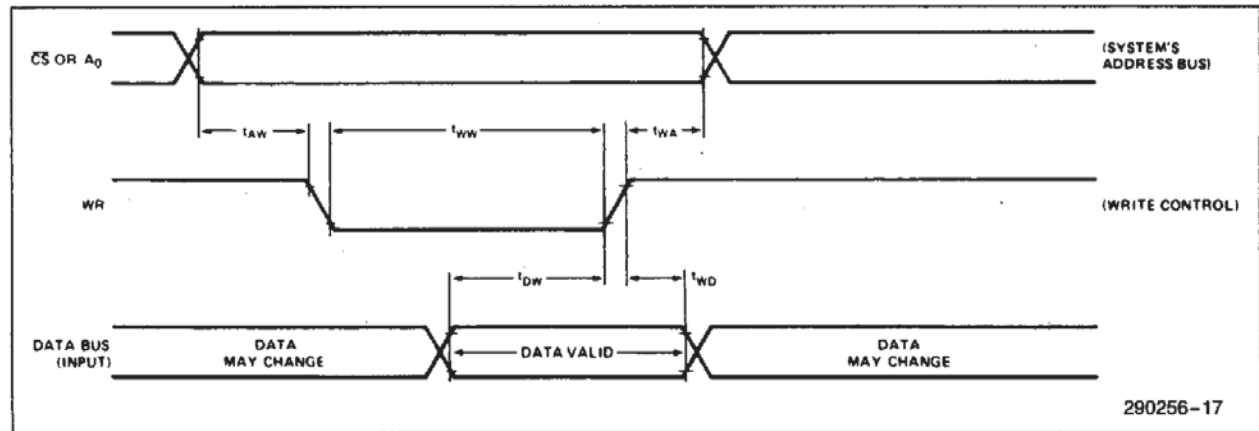
WAVEFORMS

READ OPERATION—DATA BUS BUFFER REGISTER

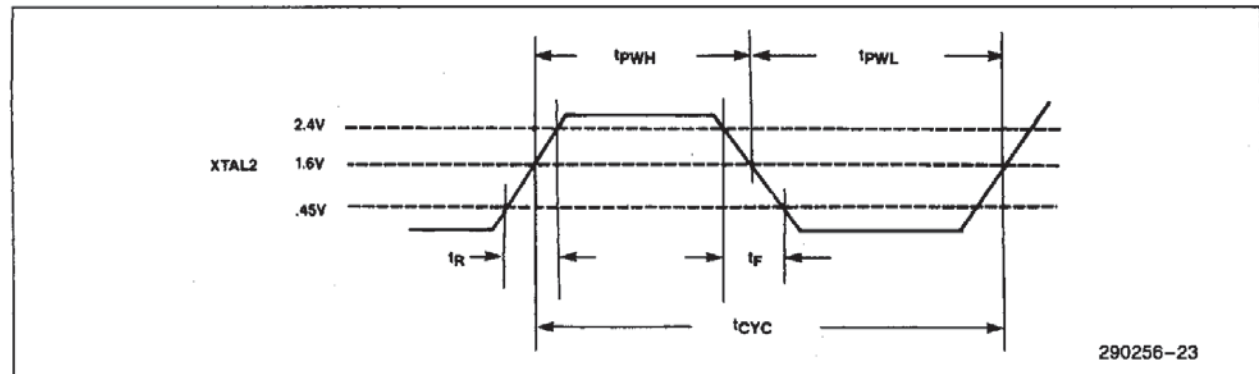


4

WRITE OPERATION—DATA BUS BUFFER REGISTER

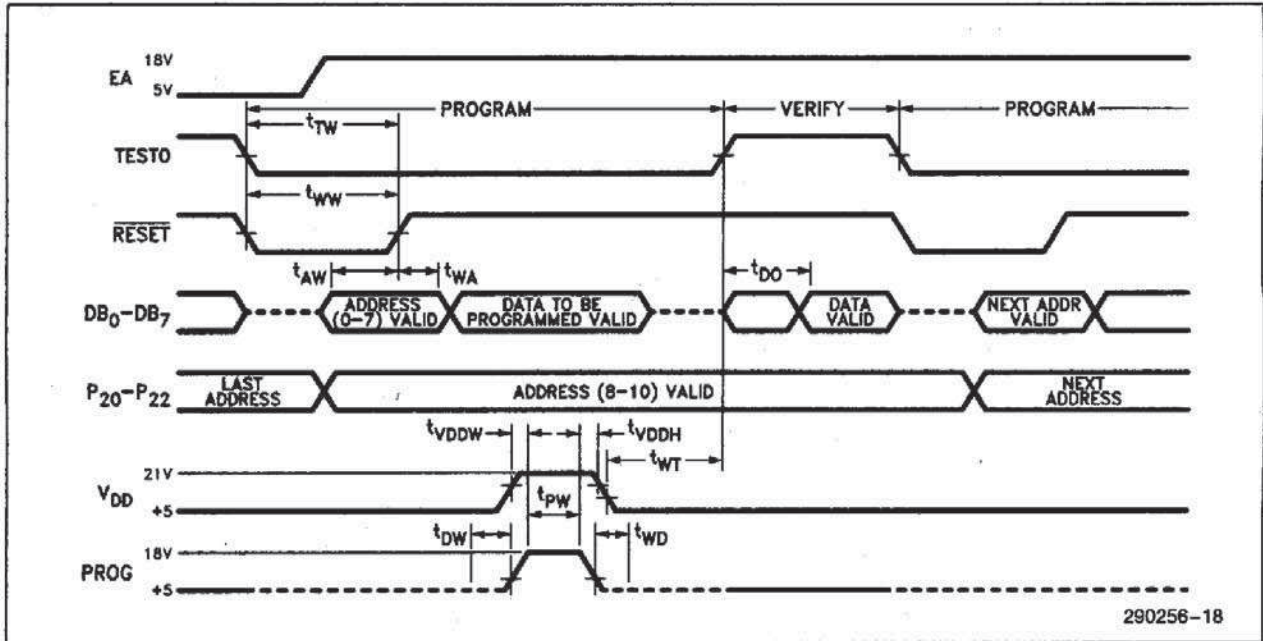


CLOCK TIMING

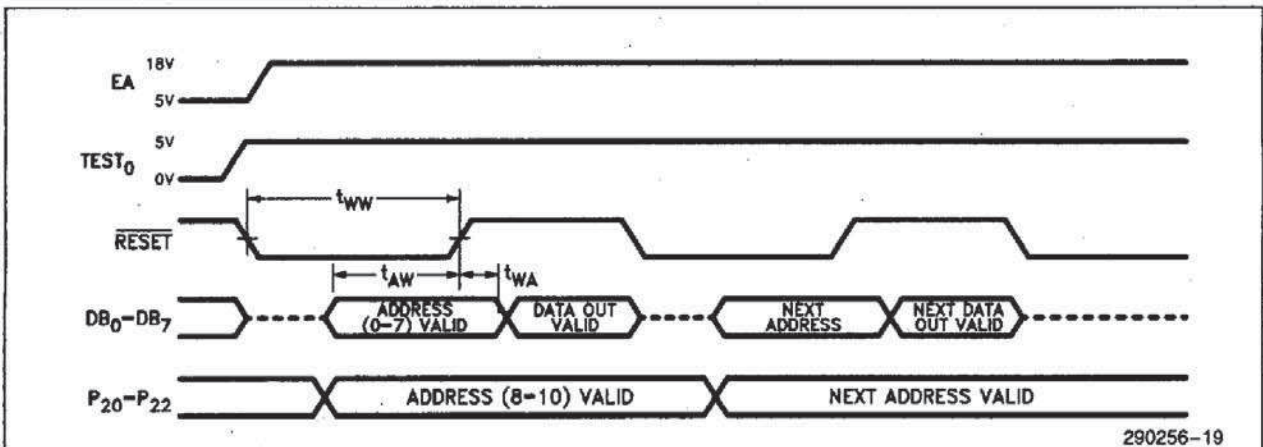


## WAVEFORMS

### COMBINATION PROGRAM/VERIFY MODE



### VERIFY MODE



**NOTES:**

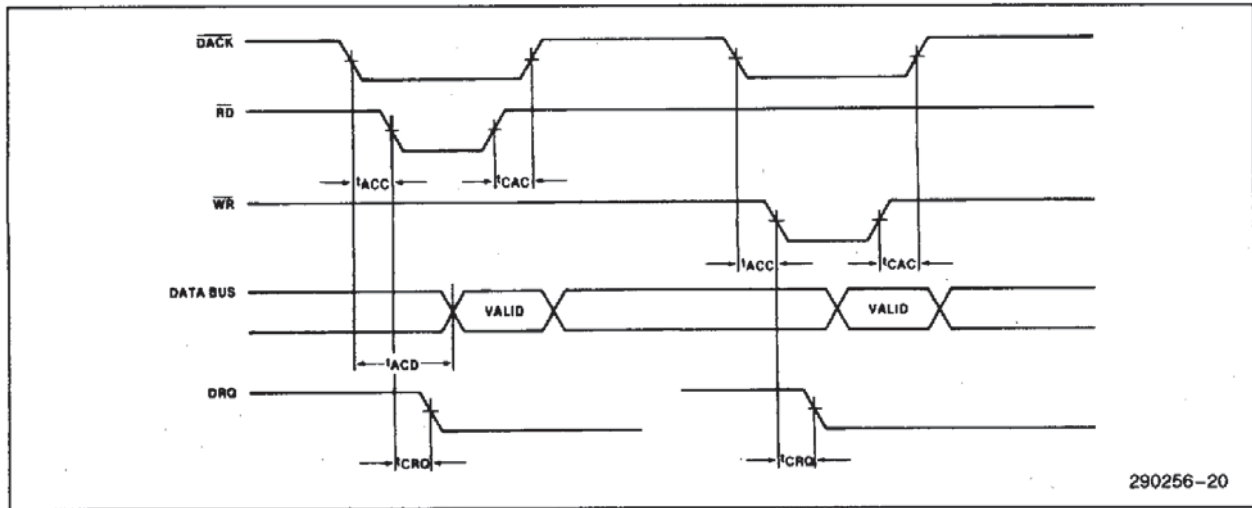
1. PROG must float if EA is low or EA is low or if TEST<sub>0</sub> = 5V.
2. A<sub>0</sub> must be held low (i.e., = 0V) during program/verify modes.
3. Test 0 must be held high.

The 8742 EPROM can be programmed by the following Intel products:

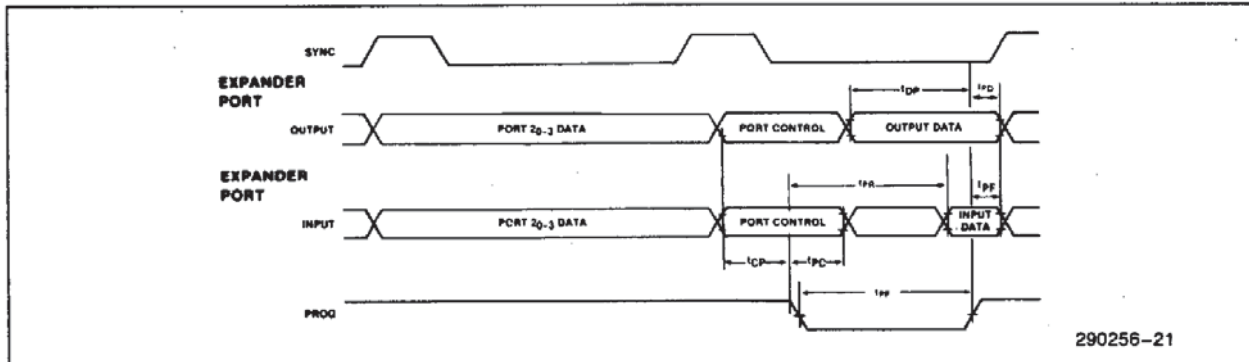
1. Universal PROM Programmer (UPP 103) peripheral of the Intel Development System with a UPP-549 Personality Card.
2. iUP-200/iUP-201 PROM Programmer with the iUP-F87/44 Personality Module.

WAVEFORMS (Continued)

DMA



PORT 2



4

PORT TIMING DURING EXTERNAL ACCESS (EA)

