

## ML4875

### *Low Voltage Boost Regulator with Shutdown*

The ML4875 is a boost regulator designed for DC to DC conversion in 1 to 3 cell battery powered systems. The combination of BiCMOS process technology, internal synchronous rectification, variable frequency operation, and low supply current make the ML4875 ideal for 1 cell applications. The ML4875 is capable of start-up with input voltages as low as 1V and is available in 5V, 3.3V, and 3V output versions with an output voltage accuracy of  $\pm 3\%$ .

#### **Rochester Electronics Manufactured Components**

Rochester branded components are manufactured using either die/wafers purchased from the original suppliers or Rochester wafers recreated from the original IP. All recreations are done with the approval of the OCM.

Parts are tested using original factory test programs or Rochester developed test solutions to guarantee product meets or exceeds the OCM data sheet.

#### **Quality Overview**

- ISO-9001
- AS9120 certification
- Qualified Manufacturers List (QML) MIL-PRF-38535
  - Class Q Military
  - Class V Space Level
- Qualified Suppliers List of Distributors (QSLD)
  - Rochester is a critical supplier to DLA and meets all industry and DLA standards.

Rochester Electronics, LLC is committed to supplying products that satisfy customer expectations for quality and are equal to those originally supplied by industry manufacturers.

*The original manufacturer's datasheet accompanying this document reflects the performance and specifications of the Rochester manufactured version of this device. Rochester Electronics guarantees the performance of its semiconductor products to the original OEM specifications. 'Typical' values are for reference purposes only. Certain minimum or maximum ratings may be based on product characterization, design, simulation, or sample testing.*

# Low Voltage Boost Regulator with Shutdown

## GENERAL DESCRIPTION

The ML4875 is a boost regulator designed for DC to DC conversion in 1 to 3 cell battery powered systems. The combination of BiCMOS process technology, internal synchronous rectification, variable frequency operation, and low supply current make the ML4875 ideal for 1 cell applications. The ML4875 is capable of start-up with input voltages as low as 1V and is available in 5V, 3.3V, and 3V output versions with an output voltage accuracy of  $\pm 3\%$ .

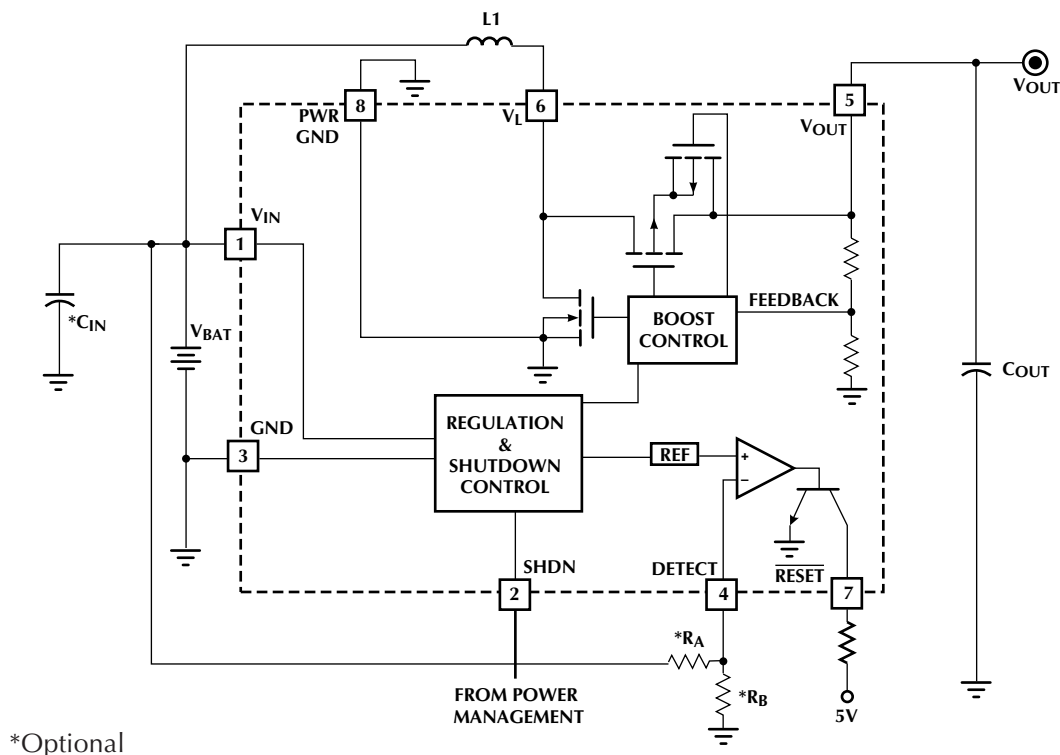
Unlike regulators using external Schottky diodes, the ML4875 isolates the load from the battery when the SHDN pin is high. This is accomplished by an integrated synchronous rectifier which eliminates the need for an external Schottky diode and provides a lower forward voltage drop, resulting in higher conversion efficiency. In addition, low quiescent battery current and variable frequency operation result in high efficiency even at light loads. The ML4875 requires only one inductor and two capacitors to build a very small regulator circuit capable of achieving conversion efficiencies in excess of 90%.

The circuit contains a  $\overline{\text{RESET}}$  output which goes low when the DETECT input drops below 200mV.

## FEATURES

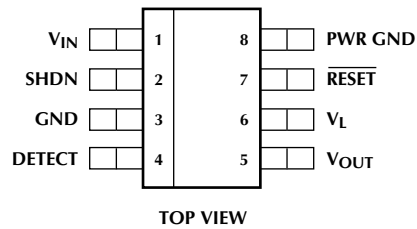
- Guaranteed start-up and operation at 1V input
- Pulse Frequency Modulation and Internal Synchronous Rectification for high efficiency
- Isolates the load from the input during shutdown
- Minimum external components
- Low ON resistance internal switching FETs
- Micropower operation
- 5V, 3.3V, and 3V output versions

## BLOCK DIAGRAM



## PIN CONNECTION

ML4875-5/-3/-T  
8-Pin SOIC (S08)



## PIN DESCRIPTION

PIN NO.	NAME	FUNCTION
1	V <sub>IN</sub>	Battery input voltage
2	SHDN	Pulling this pin high shuts down the regulator, isolating the load from the input
3	GND	Analog signal ground
4	DETECT	When this pin below V <sub>REF</sub> , causes the RESET pin to go low

PIN NO.	NAME	FUNCTION
5	V <sub>OUT</sub>	Boost regulator output
6	V <sub>L</sub>	Boost inductor connection
7	RESET	Output goes low when regulation cannot be achieved or when DETECT goes below 200mV
8	PWR GND	Return for the NMOS output transistor

## ABSOLUTE MAXIMUM RATINGS

Absolute maximum ratings are those values beyond which the device could be permanently damaged. Absolute maximum ratings are stress ratings only and functional device operation is not implied.

$V_{OUT}$ .....	7V
Voltage on any other pin .....	GND – 0.3V to $V_{OUT} + 0.3V$
Peak Switch Current, $I_{(PEAK)}$ .....	1.5A
Average Switch Current, $I_{(AVG)}$ .....	300mA
Junction Temperature .....	150°C
Storage Temperature Range .....	–65°C to 150°C

Lead Temperature (Soldering 10 sec.) .....	260°C
Thermal Resistance ( $\theta_{JA}$ ) Plastic SOIC .....	160°C/W

## OPERATING CONDITIONS

Temperature Range	
ML4875CS-X .....	0°C to 70°C
ML4875ES-X .....	–20°C to 70°C
$V_{IN}$ Operating Range	
ML4875CS-X .....	1.0V to $V_{OUT} - 0.2V$
ML4875ES-X .....	1.1V to $V_{OUT} - 0.2V$

## ELECTRICAL CHARACTERISTICS

Unless otherwise specified,  $V_{IN}$  = Operating Voltage Range,  $T_A$  = Operating Temperature Range (Note 1).

PARAMETER	CONDITIONS	MIN	TYP.	MAX	UNITS	
<b>SUPPLY</b>						
$V_{IN}$ Current	$V_{IN} = V_{OUT} - 0.2V$		50	65	$\mu A$	
	$V_{IN} = 4.8V$ , SHDN = $V_{IN}$		20	30	$\mu A$	
$V_{OUT}$ Quiescent Current			8	12	$\mu A$	
$V_L$ Quiescent Current				1	$\mu A$	
<b>PFM REGULATOR</b>						
Pulse Width ( $T_{ON}$ )		8.9	10	11.1	$\mu s$	
Output Voltage ( $V_{OUT}$ )	$T_{ON} = 0$ at $V_{OUT}(MAX)$ , 8.9 $\mu s$ - $T_{ON}$ - 11.1 $\mu s$ $V_{OUT}(MIN)$	4.85	5.0	5.15	V	
		3.2	3.3	3.4	V	
		2.91	3.0	3.09	V	
Load Regulation	See Figure 1 $V_{IN} = 1.2V$ , $I_{OUT} = 20mA$ $V_{IN} = 2.4V$ , $I_{OUT} = 100mA$	4.85	5.0	5.15	V	
		4.85	5.0	5.15	V	
	ML4875-3	$V_{IN} = 1.2V$ , $I_{OUT} = 30mA$	3.2	3.3	3.4	V
		$V_{IN} = 2.4V$ , $I_{OUT} = 140mA$	3.2	3.3	3.4	V
	ML4875-T	$V_{IN} = 1.2V$ , $I_{OUT} = 35mA$	2.91	3.0	3.09	V
		$V_{IN} = 2.4V$ , $I_{OUT} = 160mA$	2.91	3.0	3.09	V
Under-Voltage Lockout Threshold			0.85	1	V	
<b>SHUTDOWN</b>						
Input Bias Current		–100		100	nA	
Shutdown Threshold	$V_{SHDN} = \text{high to low}$	180	200	220	mV	
Shutdown Hysteresis			50	70	mV	
<b>RESET COMPARATOR</b>						
DETECT Threshold		194	200	206	mV	
DETECT Bias Current		–100		100	nA	
$\overline{RESET}$ ON Voltage	$I_{RESET} = 50\mu A$		100	200	mV	
$\overline{RESET}$ OFF Current	$V_{RESET} = 5V$			1	$\mu A$	

Note 1: Limits are guaranteed by 100% testing, sampling or correlation with worst case test conditions.

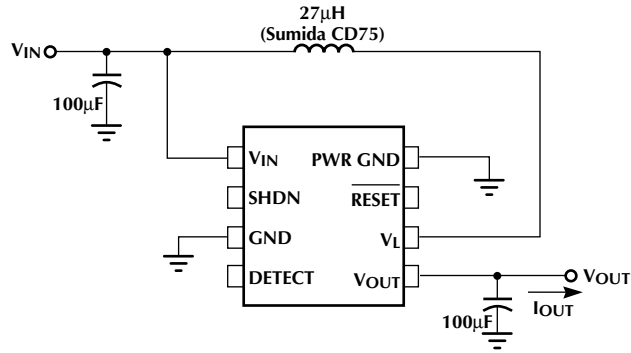


Figure 1. Application Test Circuit

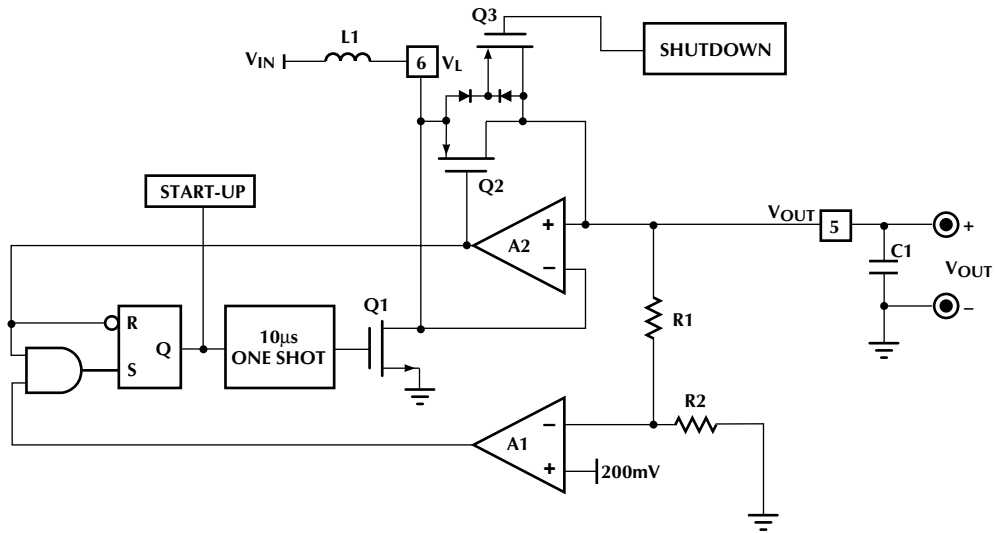


Figure 2. PFM Regulator Block Diagram

## FUNCTIONAL DESCRIPTION

The ML4875 combines Pulse Frequency Modulation (PFM) and synchronous rectification to create a boost converter that is both highly efficient and simple to use. A PFM regulator charges a single inductor for a fixed period of time and then completely discharges before another cycle begins, simplifying the design by eliminating the need for conventional current limiting circuitry. Synchronous rectification is accomplished by replacing an external Schottky diode with an on-chip PMOS device, reducing switching losses and external component count.

### REGULATOR OPERATION

A block diagram of the boost converter is shown in Figure 2. The circuit remains idle when  $V_{OUT}$  is at or above the desired output voltage, drawing  $50\mu\text{A}$  from  $V_{IN}$ , and  $8\mu\text{A}$  from  $V_{OUT}$  through the feedback resistors R1 and R2. When  $V_{OUT}$  drops below the desired output level, the output of amplifier A1 goes high, signaling the regulator to deliver charge to the output. Since the output of amplifier A2 is normally high, the flip-flop captures the A1 set signal and creates a pulse at the gate of the NMOS transistor Q1. The NMOS transistor will charge the inductor L1 for  $10\mu\text{s}$ , resulting in a peak current given by:

$$I_{L(\text{PEAK})} = \frac{T_{\text{ON}} \times V_{\text{IN}}}{L_1} \approx \frac{10\mu\text{s} \times V_{\text{IN}}}{L_1} \quad (1)$$

For reliable operation, L1 should be chosen so that  $I_{L(\text{PEAK})}$  does not exceed 1.5A.

When the one-shot times out, the NMOS transistor releases the  $V_L$  pin, allowing the inductor to fly-back and momentarily charge the output through the body diode of PMOS transistor Q2 in series with shutdown transistor Q3. But, as the voltage across the PMOS transistor changes polarity, its gate will be driven low by the current sense amplifier A2, causing Q2 to short out its body diode. The inductor then discharges into the load through Q2. The output of A2 also serves to reset the flip-flop and one-shot in preparation for the next charging cycle. A2 releases the gate of Q2 when its current falls to zero. If  $V_{OUT}$  is still low, the flip-flop will immediately initiate another pulse. The output capacitor (C1) filters the inductor current, limiting output voltage ripple. Inductor current and one-shot waveforms are shown in Figure 3.

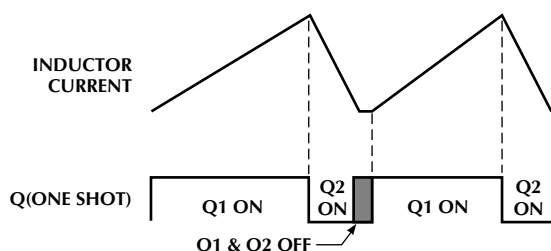


Figure 3. PFM Inductor Current Waveforms and Timing.

### SHUTDOWN

The ML4875 output can be shut down by pulling the SHDN pin high. When SHDN is high, the regulator stops switching, the control circuitry is powered down, and the body diode of the PMOS synchronous rectifier is disconnected from the output, allowing the output voltage to drop below the input voltage. This feature is unique to the ML4875, as most boost regulators use external Schottky diode rectifier which cannot be disconnected during shutdown. Leaving the Schottky diode connected causes excess power dissipation in the load during shutdown because the Schottky conducts whenever the output voltage drops 300mV below the input voltage.

### RESET COMPARATOR

An additional comparator is provided to detect low  $V_{IN}$ , or any other error condition that is important to the user. The inverting input of the comparator is internally connected to  $V_{REF}$ , while the non-inverting input is provided externally at the DETECT pin. The output of the comparator is the RESET pin, which swings from  $V_{OUT}$  to GND when an error is detected.

## DESIGN CONSIDERATIONS

### INDUCTOR

Selecting the proper inductor for a specific application usually involves a trade-off between efficiency and maximum output current. Choosing too high a value will keep the regulator from delivering the required output current under worst case conditions. Choosing too low a value causes efficiency to suffer. It is necessary to know the maximum required output current and the input voltage range to select the proper inductor value. The maximum inductor value can be estimated using the following formula:

$$L_{\text{MAX}} = \frac{V_{\text{IN(MIN)}}^2 \times T_{\text{ON(MIN)}} \times \eta}{2 \times V_{\text{OUT}} \times I_{\text{OUT(MAX)}}} \quad (2)$$

where  $\eta$  is the efficiency, typically between 0.8 and 0.9. Note that this is the value of inductance that just barely delivers the required output current under worst case conditions. A lower value may be required to cover inductor tolerance, the effect of lower peak inductor currents caused by resistive losses, and minimum dead time between pulses.

Another method of determining the appropriate inductor value is to make an estimate based on the typical performance curves given in Figures 4 and 5. Figure 4 shows maximum output current as a function of input voltage for several inductor values. These are typical performance curves and leave no margin for inductance and ON-time variations. To accommodate worst case conditions, it is necessary to derate these curves by at least 10% in addition to inductor tolerance.

For example, a two cell to 5V application requires 80mA of output current while using an inductor with 15% tolerance. The output current should be derated by 25% to 100mA to cover the combined inductor and ON-time

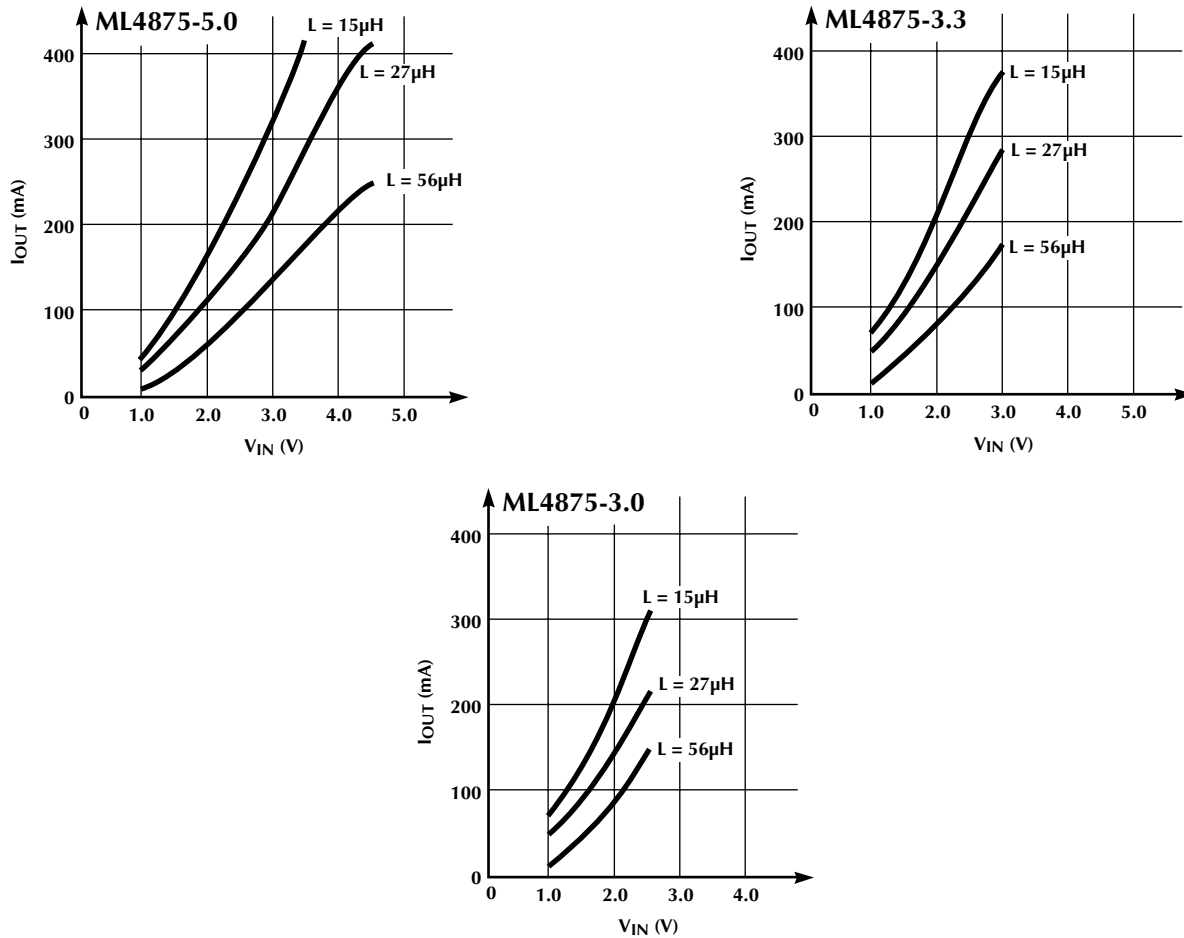


Figure 4. Output Current vs Input Voltage.

tolerances. Assuming that 2V is the end of life voltage of a two cell input, Figure 4 shows that with a 2V input, the ML4875-5 delivers 99mA with a 27µH inductor.

Figure 5 shows efficiency under the conditions used to create Figure 4. It can be seen that efficiency is mostly independent of input voltage and is closely related to inductor value. This illustrates the need to keep the inductor value as high as possible to attain peak system efficiency. As the inductor value goes down to 15µH, the efficiency drops to between 70% and 75%. With 56µH, the efficiency approaches 90% and there is little room for improvement. At values greater than 100µH, the operation of the synchronous rectifier becomes unreliable because the inductor current is so small that it is difficult for the control circuitry to detect. The data used to generate Figures 4 and 5 is provided in Table 1.

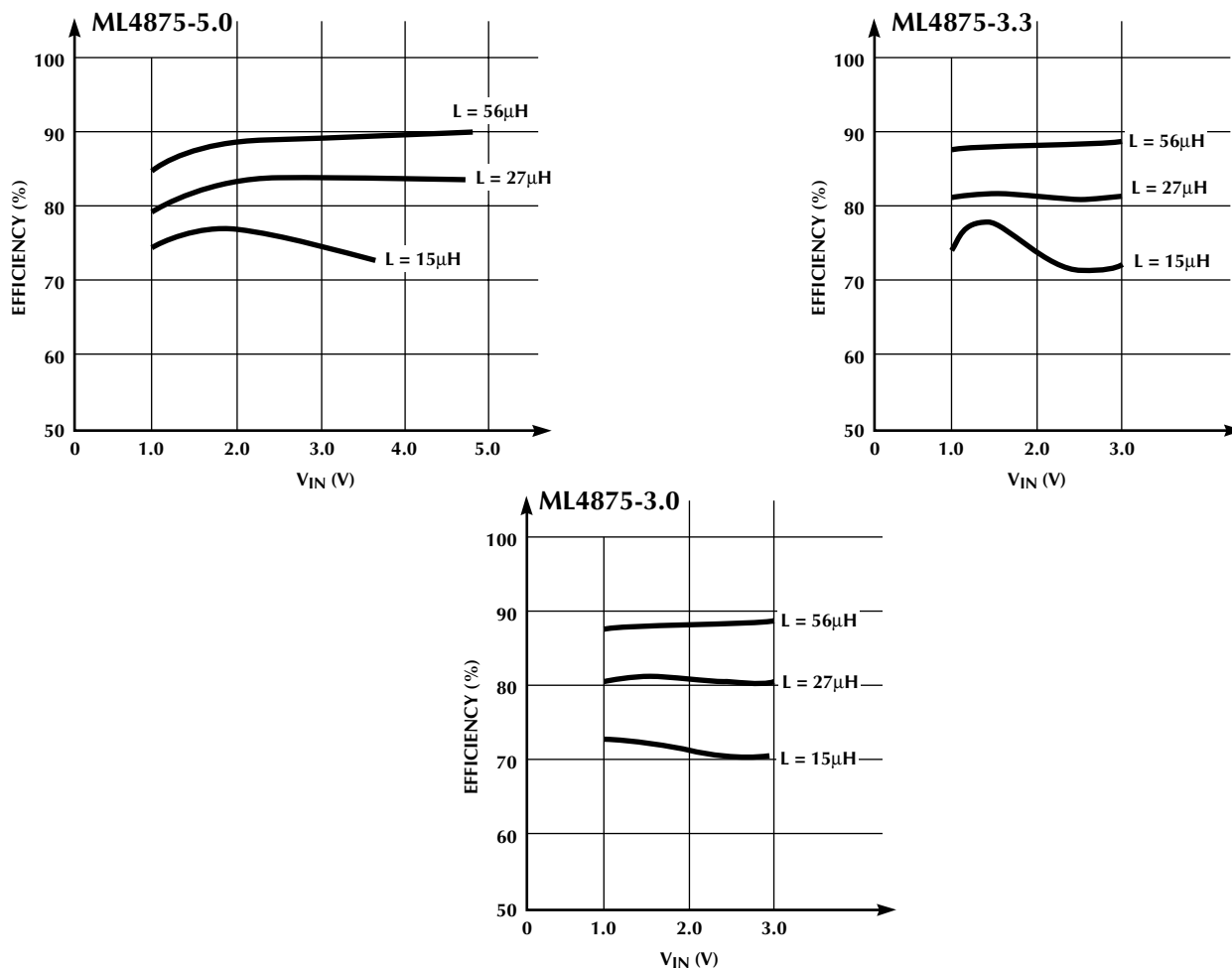
After the appropriate inductor value is chosen, it is necessary to find the minimum inductor current rating required. Peak inductor current is determined from the following formula:

$$I_{L(PEAK)} = \frac{T_{ON(MAX)} \times V_{IN(MAX)}}{L_{MIN}} \quad (3)$$

In the two cell application previously described, a maximum input voltage of 3V would give a peak current of 1.2A. When comparing various inductors, it is important to keep in mind that suppliers use different criteria to determine their ratings. Many use a conservative current level, where inductance has dropped to 90% of its normal level. In any case, it is a good idea to try inductors of various current ratings with the ML4875 to determine which inductor is the best choice. Check efficiency and maximum output current, and if a current probe is available, look at the inductor current to see if it looks like the waveform shown in Figure 3. For additional information, see Applications Note 29.

Suitable inductors can be purchased from the following suppliers:

Coilcraft	(708) 639-6400
Coiltronics	(407) 241-7876
Dale	(605) 665-9301
Sumida	(708) 956-0666

Figure 5. Typical Efficiency as a Function of  $V_{IN}$ .

## OUTPUT CAPACITOR

The choice of output capacitor is also important, as it controls the output ripple and optimizes the efficiency of the circuit. Output ripple is influenced by three capacitor parameters: capacitance, ESR, and ESL. The contribution due to capacitance can be determined by looking at the change in capacitor voltage required to store the energy delivered by the inductor in a single charge-discharge cycle, as determined by the following formula:

$$\Delta V_{OUT} = \frac{T_{ON}^2 \times V_{IN}^2}{2 \times L \times C \times (V_{OUT} - V_{IN})} \quad (4)$$

For a 2.4V input, and 5V output, a 27  $\mu$ H inductor, and a 47  $\mu$ F capacitor, the expected output ripple due to capacitor value is 87mV.

Capacitor Equivalent Series Resistance (ESR) and Equivalent Series Inductance (ESL), also contribute to the output ripple due to the inductor discharge current waveform. Just after the NMOS transistor turns off, the

output current ramps quickly to match the peak inductor current. This fast change in current through the output capacitor's ESL causes a high frequency (5ns) spike that can be over 1V in magnitude. After the ESL spike settles, the output voltage still has a ripple component equal to the inductor discharge current times the ESR. This component will have a sawtooth shape and a peak value equal to the peak inductor current times the ESR. ESR also has a negative effect on efficiency by contributing I-squared R losses during the discharge cycle.

An output capacitor with a capacitance of 100  $\mu$ F, an ESR of less than 0.1  $\Omega$ , and an ESL of less than 5nH is a good general purpose choice. Tantalum capacitors which meet these requirements can be obtained from the following suppliers:

Matsuo (714) 969-2491  
Sprague (603) 224-1961

If ESL spikes are causing output noise problems, an EMI filter can be added in series with the output.



## INPUT CAPACITOR

Unless the input source is a very low impedance battery, it will be necessary to decouple the input with a capacitor with a value of between 47 $\mu$ F and 100 $\mu$ F. This provides the benefits of preventing input ripple from affecting the ML4875 control circuitry, and it also improves efficiency by reducing I-squared R losses during the charge and discharge cycles of the inductor. Again, a low ESR capacitor (such as tantalum) is recommended.

## DRIVING THE SHDN INPUT

Unlike other boost regulators which use external Schottky diodes, the ML4875 has the ability to isolate the load from the battery input when the SHDN pin is high. Since there may be no other voltage available when the regulator is in shutdown, the SHDN input threshold is set well below the minimum  $V_{IN}$  voltage. SHDN can be driven directly from an open collector device with a high value pull-up resistor to  $V_{IN}$ . If SHDN is driven from a TTL or CMOS output device, a resistor divider should be used to prevent the SHDN input high level from exceeding  $V_{IN}$ , and to ensure the SHDN input low level is below the 200mV threshold.

## SETTING THE $\overline{\text{RESET}}$ THRESHOLD

To use the  $\overline{\text{RESET}}$  comparator as an input voltage monitor, it is necessary to use an external resistor divider tied to the DETECT pin as shown in the block diagram. The resistor values  $R_A$  and  $R_B$  can be calculated using the following equation:

$$V_{IN(MIN)} = 0.2 \times \frac{(R_A + R_B)}{R_B} \quad (5)$$

The value of  $R_B$  should be 100k $\Omega$  or less to minimize bias current errors.  $R_A$  is then found by rearranging the equation:

$$R_A = R_B \times \left( \frac{V_{IN(MIN)}}{0.2} - 1 \right) \quad (6)$$

## LAYOUT

Good PC board layout practices will ensure the proper operation of the ML4875. Important layout considerations include:

- Use adequate ground and power traces or planes
- Keep components as close as possible to the ML4875
- Use short trace lengths from the inductor to the  $V_L$  pin and from the output capacitor to the  $V_{OUT}$  pin
- Use a single point ground for the ML4875 ground pins, and the input and output capacitors

TABLE 1. MAXIMUM OUTPUT CURRENT AND EFFICIENCY.

## ML4875-5.0

$V_{IN}$ (V)	$I_{IN}$ (mA)	$I_{OUT}$ (mA)	EFFICIENCY %
L = 15 $\mu$ H			
1.0	237.5	35.7	75.2
1.5	373.3	86.2	77.0
2.0	494.6	151.8	76.7
2.5	616.0	233.5	75.8
3.0	710.5	319.7	75.0
3.5	793.9	410.5	73.9
L = 27 $\mu$ H			
1.0	138.2	22.0	79.6
1.5	220.7	54.8	82.8
2.0	296.2	98.8	83.4
2.5	374.1	156.1	83.5
3.0	441.6	220.7	83.3
3.5	496.4	289.4	83.3
4.0	538.2	358.5	83.3
4.5	542.6	408.0	83.5
L = 56 $\mu$ H			
1.0	72.5	12.2	84.1
1.5	113.1	29.8	87.8
2.0	158.7	56.3	88.7
2.5	201.6	89.7	89.0
3.0	237.5	127.0	89.1
3.5	270.4	169.0	89.3
4.0	297.4	212.9	89.5
4.5	310.4	251.0	89.8

## ML4875-3.0

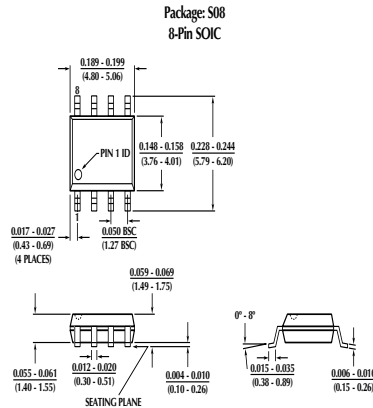
$V_{IN}$ (V)	$I_{IN}$ (mA)	$I_{OUT}$ (mA)	EFFICIENCY %
L = 15 $\mu$ H			
1.0	242.8	59.2	73.1
1.5	362.6	131.3	72.4
2.0	461.6	219.2	71.2
2.5	523.5	308.5	70.7
L = 27 $\mu$ H			
1.0	144.9	38.9	80.5
1.5	218.7	88.2	80.7
2.0	286.8	153.4	80.2
2.5	325.6	217.5	80.2
L = 56 $\mu$ H			
1.0	74.3	21.5	86.8
1.5	119.1	52.0	87.3
2.0	154.9	90.2	87.3
2.5	183.0	133.2	87.3

## ML4875-3.3

$V_{IN}$ (V)	$I_{IN}$ (mA)	$I_{OUT}$ (mA)	EFFICIENCY %
L = 15 $\mu$ H			
1.0	243.1	54.6	74.1
1.5	346.6	122.1	77.5
2.0	473.6	207.8	72.4
2.5	551.9	299.9	71.7
3.0	563.6	368.0	71.8
L = 27 $\mu$ H			
1.0	144.5	35.4	80.8
1.5	218.4	80.9	81.5
2.0	292.3	143.6	81.1
2.5	345.7	211.8	80.9
3.0	357.2	263.7	81.2
L = 56 $\mu$ H			
1.0	73.9	19.5	87.1
1.5	118.5	47.2	87.6
2.0	156.8	83.4	87.8
2.5	189.0	125.7	87.8
3.0	206.6	165.5	88.1

## PHYSICAL DIMENSIONS inches (millimeters)


Package: S08  
8-Pin SOIC



## ORDERING INFORMATION

PART NUMBER	OUTPUT VOLTAGE	TEMPERATURE RANGE	PACKAGE
ML4875CS-T (Obsolete)	3.0V	0°C to 70°C	8-Pin SOIC (S08)
ML4875CS-3 (Obsolete)	3.3V	0°C to 70°C	8-Pin SOIC (S08)
ML4875CS-5 (Obsolete)	5.0V	0°C to 70°C	8-Pin SOIC (S08)
ML4875ES-T	3.0V	-20°C to 70°C	8-Pin SOIC (S08)
ML4875ES-3 (End Of Life)	3.3V	-20°C to 70°C	8-Pin SOIC (S08)
ML4875ES-5 (End Of Life)	5.0V	-20°C to 70°C	8-Pin SOIC (S08)

DS4875-01

© Micro Linear 1996  **Micro Linear** is a registered trademark of Micro Linear Corporation  
Products described in this document may be covered by one or more of the following patents: 4,897,611; 4,964,026;  
5,027,116;  
5,281,862; 5,283,483; 5,418,502; 5,508,570; 5,510,727; 5,523,940. Other patents are pending.

Micro Linear reserves the right to make changes to any product herein to improve reliability, function or design. Micro Linear does not assume any liability arising out of the application or use of any product described herein, neither does it convey any license under its patent right nor the rights of others. The circuits contained in this data sheet are offered as possible applications only. Micro Linear makes no warranties or representations as to whether the illustrated circuits infringe any intellectual property rights of others, and will accept no responsibility or liability for use of any application herein. The customer is urged to consult with appropriate legal counsel before deciding on a particular application.

2092 Concourse Drive  
San Jose, CA 95131  
Tel: 408/433-5200  
Fax: 408/432-0295

7/16/96 Printed in U.S.A.