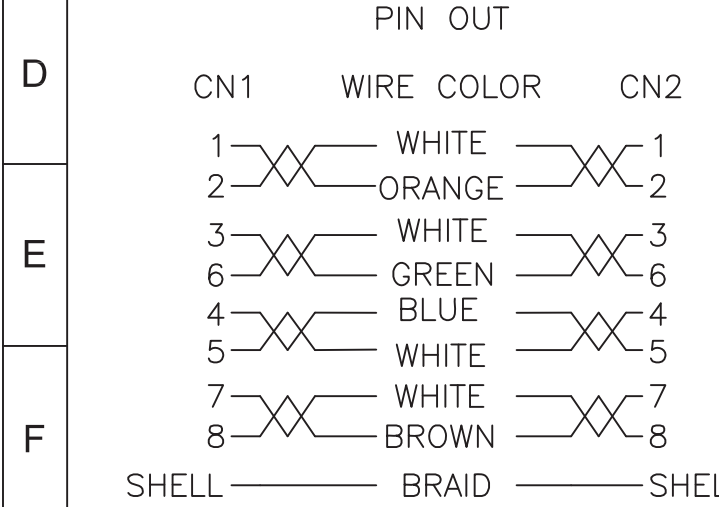
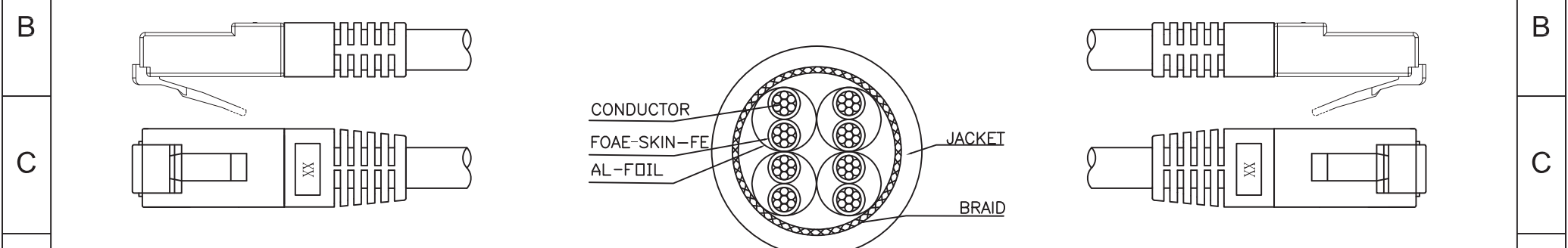
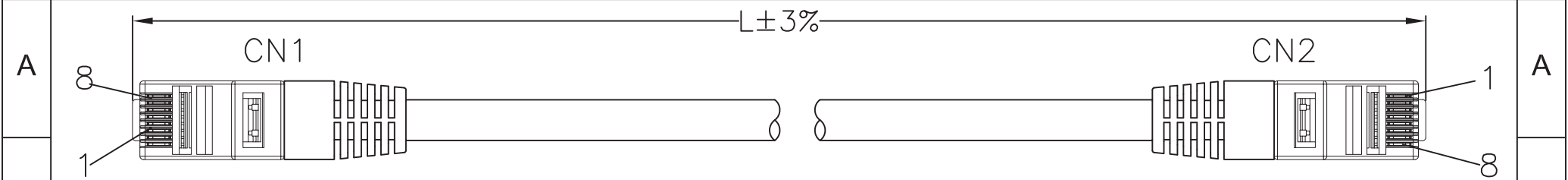


1 2 3 4 5 6 7



Material

- Cable: SSTP (26AWG*1PR+A)*4+B+PVC
- OD:5.8±0.2mm
- RJ45 Connector: 8P8C*2, Gold plated contacts, metal shielded
- Molding PVC: 45P
- Cable/Molding color: Red, Yellow, Green_or Blue

Electrical

- Open/short/intermittence: 100%

Order Code: A-MCSSP60xxx/x-R
 Order lengths in meter: 0.5, 1, 2, 3, 5, 7, 10, 15, 20, 30
 Order color: Red, Yellow, Green, Blue

G	Scale					Date	Name	Title Cat6 SSTP Patch cable 26AWG, colored
	TOLERANCE					Drawn	Wilson	
H	Unit: mm					Approved	Groll	A-MCSSP60xxx/x-R
		X. ±X						Drawing-No.
X.X ±X								rev01
	X.XX ±X							Sheet
	DIM TOL							1/1
	X.° ±X°	①	Update	19.02.13	Wilson			
	X.X° ±X°		Modification	Date	Name			Replace
	Angle TOL	Id.				<small>1840 W. Drake Drive, Suite 101 • Tempe, AZ 85283 Toll Free: 1-877-277-6266 • Email: info@assmann.us</small>		

1 2 3 4 5 6 7