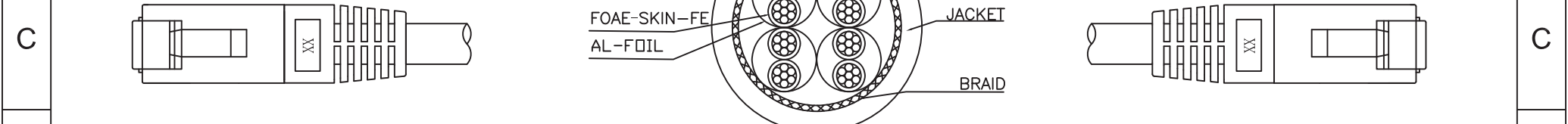
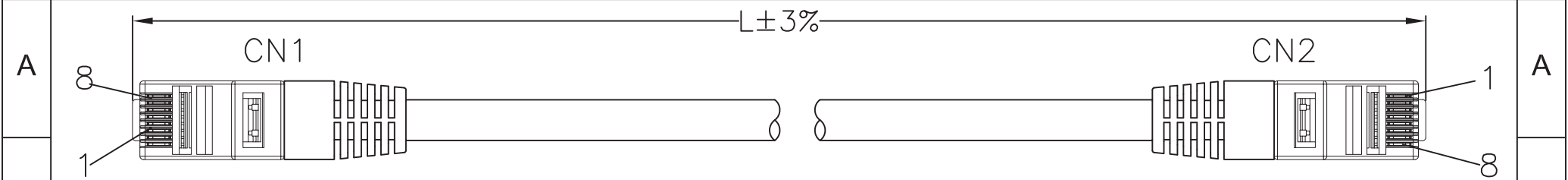
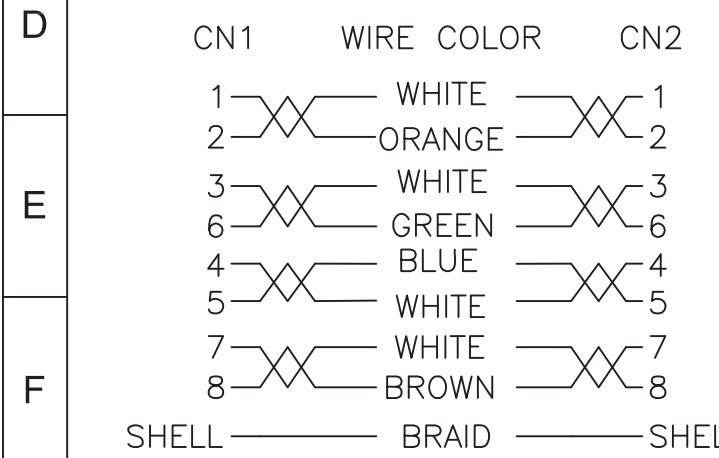


1 2 3 4 5 6 7



PIN OUT



Material

- Cable: SSTP (26AWG*1PR+A)*4+B+PVC
- OD:5.8±0.2mm
- RJ45 Connector: 8P8C*2, Gold plated contacts, metal shielded
- Molding PVC: 45P
- Cable/Molding color: Red, Yellow, Green_or Blue

Electrical

- Open/short/intermittence: 100%

Order Code: A-MCSSP60xxx/x-R
 Order lengths in meter: 0.5, 1, 2, 3, 5, 7, 10, 15, 20, 30
 Order color: Red, Yellow, Green, Blue

| | | | | | | | | |
|--------|-----------|-------|--------------|----------|--------|----------|--------|--|
| G | Scale | | | | | Date | Name | Title Cat6 SSTP Patch cable 26AWG, colored |
| | TOLERANCE | | | | | Drawn | Wilson | |
| H | Unit: mm | | | | | Approved | Groll | A-MCSSP60xxx/x-R |
| | | X. ±X | | | | | | Drawing-No. |
| X.X ±X | | | | | | | | rev01 |
| | X.XX ±X | | | | | | | Sheet |
| | DIM TOL | | | | | | | 1/1 |
| | X.° ±X° | | | | | | | |
| | X.X° ±X° | ① | Update | 19.02.13 | Wilson | | | |
| | Angle TOL | Id. | Modification | Date | Name | | | |



1 2 3 4 5 6 7