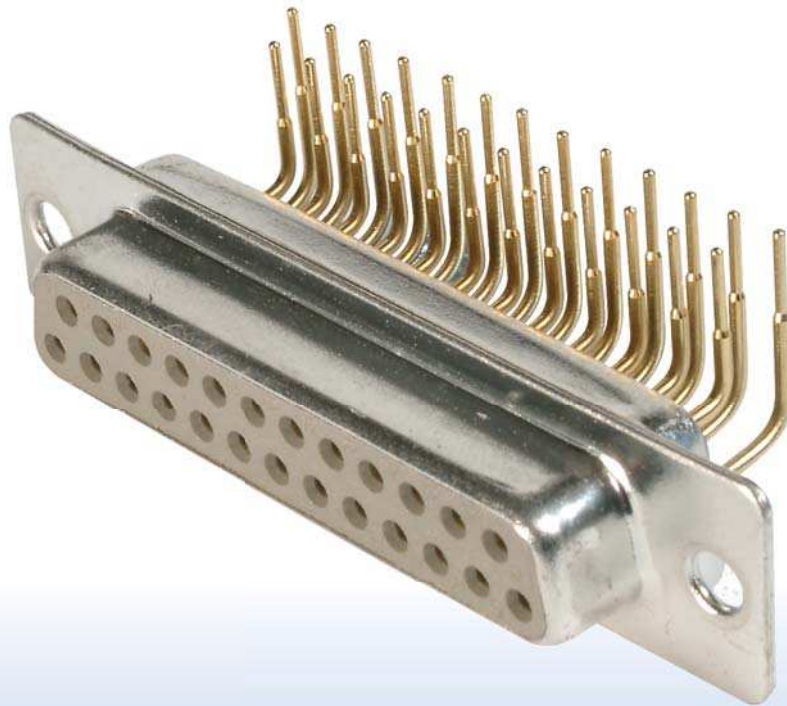


DSUB & CENTRONICS



WNSVAV

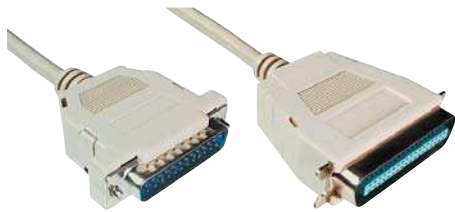


DSub Cables.....	62
DSub Connectors.....	70
DSub Gender Changers.....	80
DSub Adapters.....	81
DSub Hoods.....	82
Centronics Connectors.....	86

DSUB CABLES

Printer Cable - Parallel, DSub 25-pin male to Centronics 36-pin male

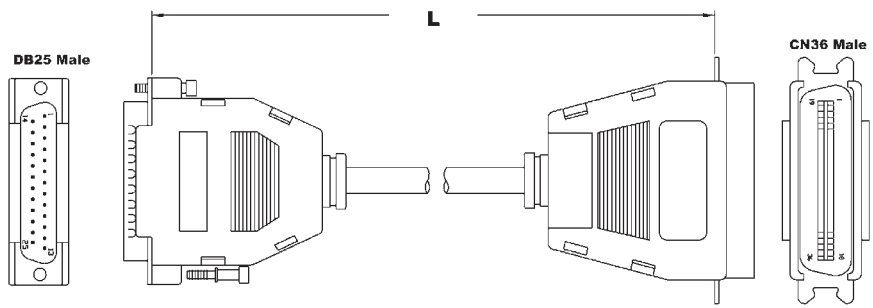
USB & IEEE
IDC &
Flat Ribbon
IC, PLCC, Pin
& Jumpers



RoHS
Compliant

AK101-1.8-R	1.8 M
AK102-3-R	3 M
AK103-5-R	5 M
AK104-7-R	7 M
AK105-10-R	10 M

Material:
Snap Hood
Cable 25-wire, shielded



Unit: MM

NOTE: ABOVE LAYOUT MAY CONTAIN VARIANCES. FOR A DETAILED DRAWING PLEASE CALL 1-877-277-6266 OR GO TO WWW.ASSMANN.US

Printer Cable - Parallel, DSub 25-pin male to Centronics 36-pin male

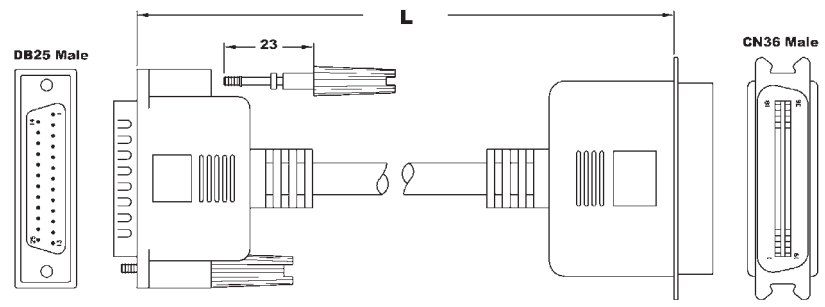
Waterproof
DVI & HDMI
Modular



RoHS
Compliant

AK108-1.8-R	1.8 M
AK127-3-R	3 M
AK158-5-R	5 M
AK159-7-R	7 M
AK160-10-R	10 M

Material:
Molded Hood
Cable 25-wire, shielded



Unit: MM

NOTE: ABOVE LAYOUT MAY CONTAIN VARIANCES. FOR A DETAILED DRAWING PLEASE CALL 1-877-277-6266 OR GO TO WWW.ASSMANN.US

Special Printer Cable - IEEE 1284, DSub 25-pin male to Centronics 36-pin HP male

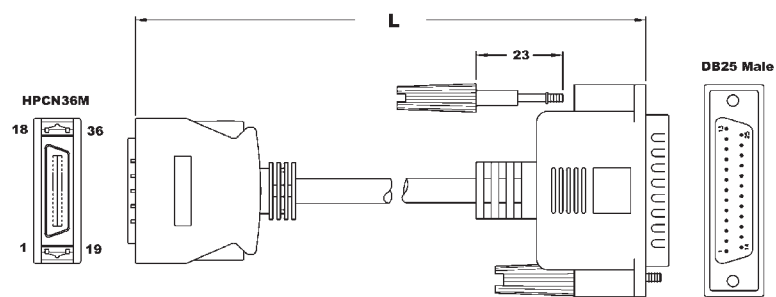
Fiber-Optic
Power Cords
Wire to Board
SATA &
eSATA



RoHS
Compliant

AK706-1.8-R	1.8 M
AK707-3-R	3 M

Material:
Molded Hood
UL20276, twisted pair cable, double shielded
Assignment as per IEEE 1284, supports EPP interfaces



Unit: MM

NOTE: ABOVE LAYOUT MAY CONTAIN VARIANCES. FOR A DETAILED DRAWING PLEASE CALL 1-877-277-6266 OR GO TO WWW.ASSMANN.US

Printer Cable - Parallel / Left Angled, DSub 25-pin male to Centronics 36-pin male

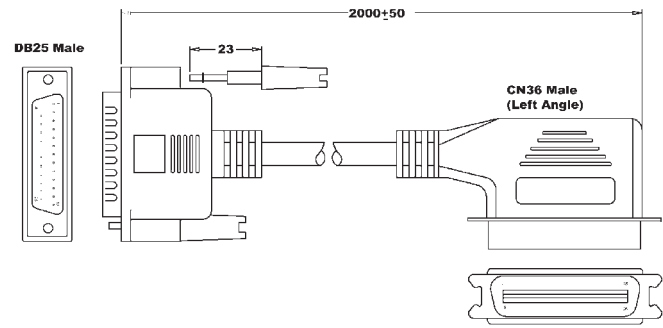
FFC/FPC
MiniDIN &
Audio
KVM Cables



RoHS
Compliant

AK525-L-R	2 M
-----------	-----

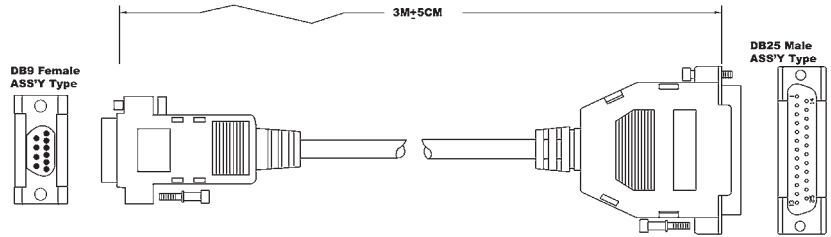
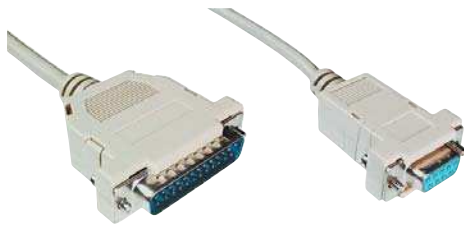
Material:
Molded Hood
Left angled
Cable 25-wire, shielded



Unit: MM

NOTE: ABOVE LAYOUT MAY CONTAIN VARIANCES. FOR A DETAILED DRAWING PLEASE CALL 1-877-277-6266 OR GO TO WWW.ASSMANN.US

Printer Cable - Serial, DSub 9-pin female to DSub 25-pin male



Material:
Snap Hood
Cable 8-wire, shielded

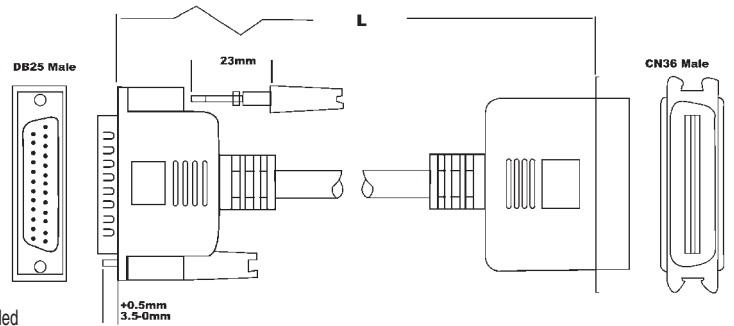


AK150-3-R 3 M

NOTE: ABOVE LAYOUT MAY CONTAIN VARIANCES. FOR A DETAILED DRAWING PLEASE CALL 1-877-277-6266 OR GO TO WWW.ASSMANN.US

Unit: MM

Printer Cable - IEEE 1284 Bi-directional, DSub 25-pin male to Centronics 36-pin male



Material:
Molded Hood
UL20276, twisted pair cable, double shielded
Assignment as per IEEE 1284, supports EPP interfaces



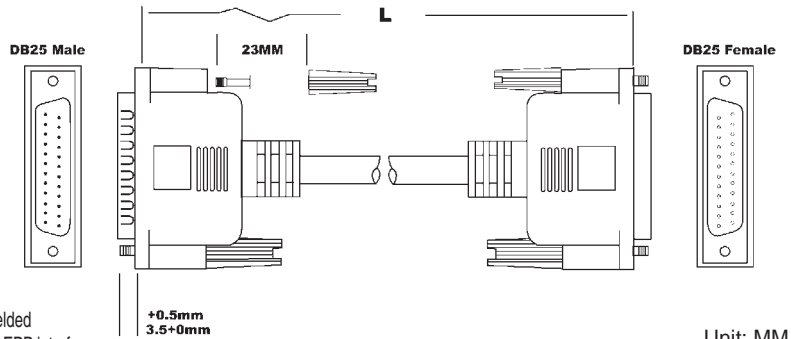
AK711-1.8-R 1.8 M
AK712-3-R 3 M
AK713-5-R 5 M
AK711-10-R 10 M

NOTE: ABOVE LAYOUT MAY CONTAIN VARIANCES. FOR A DETAILED DRAWING PLEASE CALL 1-877-277-6266 OR GO TO WWW.ASSMANN.US

Unit: MM

Printer Extension Cable - IEEE 1284 Bi-directional, DSub 25-pin female to DSub 25-pin male

DSUB 25-pin female to DSub 25-pin male



Material:
Molded Hood
UL20276, twisted pair cable, double shielded
Assignment as per IEEE 1284, supports EPP interfaces



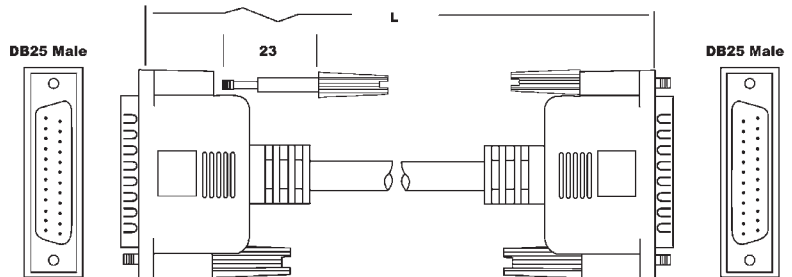
AK733-1.8-R 1.8 M
AK734-3-R 3 M
AK735-5-R 5 M

NOTE: ABOVE LAYOUT MAY CONTAIN VARIANCES. FOR A DETAILED DRAWING PLEASE CALL 1-877-277-6266 OR GO TO WWW.ASSMANN.US

Unit: MM

Printer Connection Cable - IEEE 1284 Bi-directional, DSub 25-pin male to DSub 25-pin male

DSUB 25-pin male to DSub 25-pin male



Material:
Molded Hood
UL20276, twisted pair cable, double shielded
Assignment as per IEEE 1284, supports EPP interfaces



AK736-1.8-R 1.8 M
AK737-3-R 3 M
AK738-5-R 5 M

NOTE: ABOVE LAYOUT MAY CONTAIN VARIANCES. FOR A DETAILED DRAWING PLEASE CALL 1-877-277-6266 OR GO TO WWW.ASSMANN.US

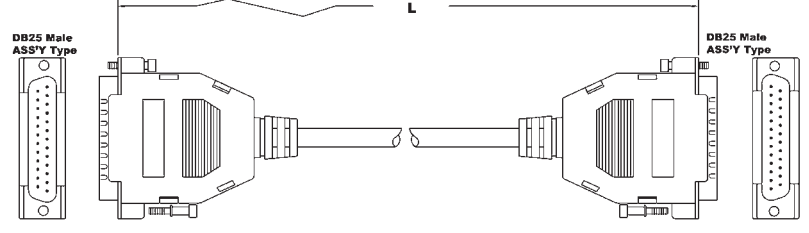
Unit: MM

USB & IEEE
IDC & Flat Ribbon
IC, PLCC, Pin & Jumpers
DSub & Centronics
Waterproof
DVI & HDMI
Modular
Fiber-Optic
Power Cords
Wire to Board
SATA & eSATA
FFC/FFC
MiniDIN & Audio
KVM Cables

DSUB CABLES

Connection Cable - Serial / Parallel, DSub 25-pin male to DSub 25-pin male

USB & IEEE
IDC &
Flat Ribbon
IC, PLCC, Pin
& Jumpers



RoHS
Compliant

Material:
Snap Hood
Cable 25-wire, shielded, assignment 1:1

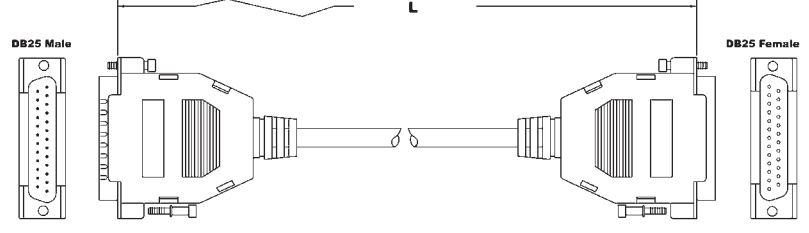
AK401-2-R	2 M
AK508-3-R	3 M
AK402-5-R	5 M

Unit: MM

NOTE: ABOVE LAYOUT MAY CONTAIN VARIANCES. FOR A DETAILED DRAWING PLEASE CALL 1-877-277-6266 OR GO TO WWW.ASSMANN.US

Connection Cable - Serial / Parallel, DSub 25-pin female to DSub 25-pin male

Waterproof
DVI & HDMI



RoHS
Compliant

Material:
Snap Hood
Cable 25-wire, shielded, assignment 1:1

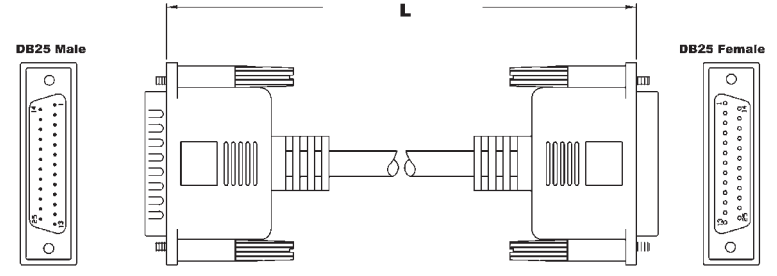
AK404-2-R	2 M
AK526-3-R	3 M
AK405-5-R	5 M

Unit: MM

NOTE: ABOVE LAYOUT MAY CONTAIN VARIANCES. FOR A DETAILED DRAWING PLEASE CALL 1-877-277-6266 OR GO TO WWW.ASSMANN.US

Extension Cable - Serial / Parallel, DSub 25-pin female to DSub 25-pin male

Fiber-Optic
Power Cords
Wire to Board



RoHS
Compliant

Material:
Molded Hood
Cable 25-wire, shielded, assignment 1:1

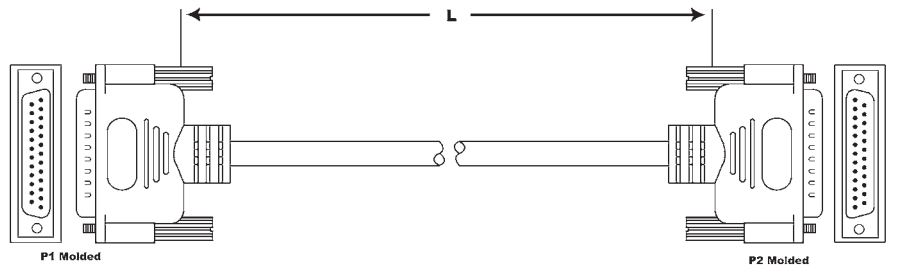
AK135-2-R	2 M
AK166-3-R	3 M
AK136-5-R	5 M
AK168-10-R	10 M

Unit: MM

NOTE: ABOVE LAYOUT MAY CONTAIN VARIANCES. FOR A DETAILED DRAWING PLEASE CALL 1-877-277-6266 OR GO TO WWW.ASSMANN.US

Extension Cable - Serial / Parallel, DSub 25-pin male to DSub 25-pin male

FFC/FPC
MiniDIN &
Audio
KVM Cables



RoHS
Compliant

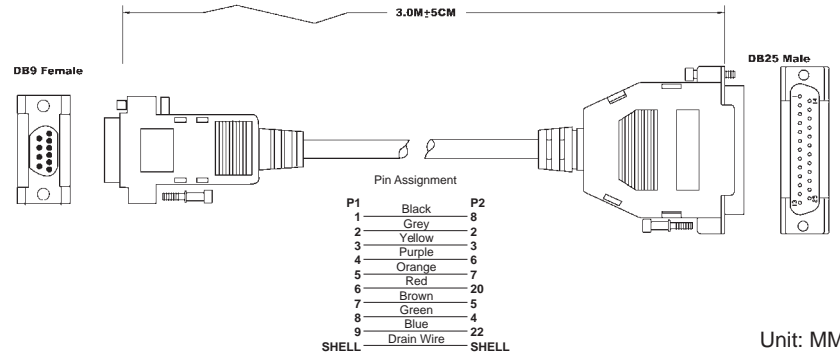
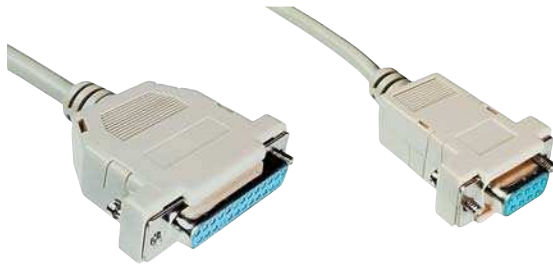
Material:
Molded Hood
Cable 25-wire, shielded, assignment 1:1

AK137-2-R	2 M
AK162-3-R	3 M
AK154-5-R	5 M
AK164-10-R	10 M

Unit: MM

NOTE: ABOVE LAYOUT MAY CONTAIN VARIANCES. FOR A DETAILED DRAWING PLEASE CALL 1-877-277-6266 OR GO TO WWW.ASSMANN.US

Null Modem Cable, DSub 9-pin female to DSub 25-pin male or DSub 25-pin female



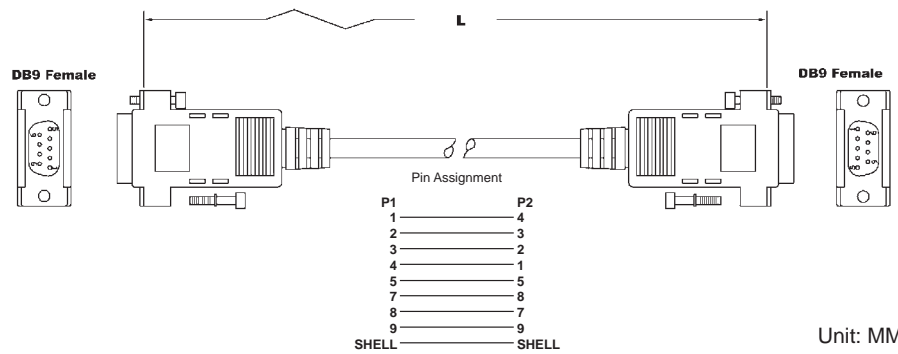
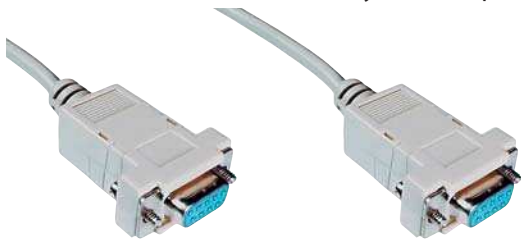
RoHS Compliant

AK149-3-R	3 M (F/M)
AK124-3-R	3 M (F/F)

Material:
Snap Hood
Cable 9-wire, shielded

NOTE: ABOVE LAYOUT MAY CONTAIN VARIANCES. FOR A DETAILED DRAWING PLEASE CALL 1-877-277-6266 OR GO TO WWW.ASSMANN.US

Null Modem Cable, DSub 9-pin female to DSub 9-pin female



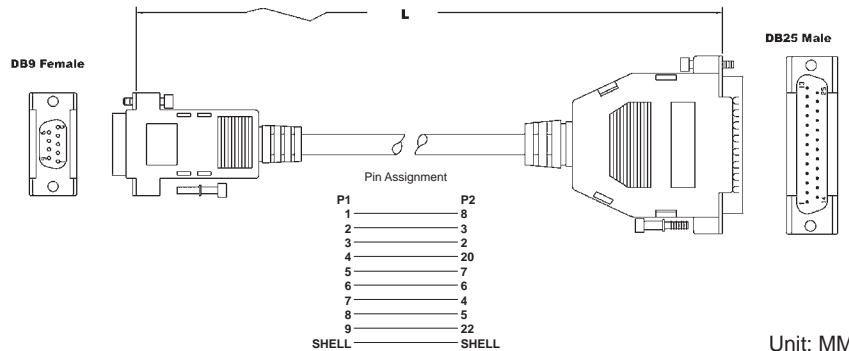
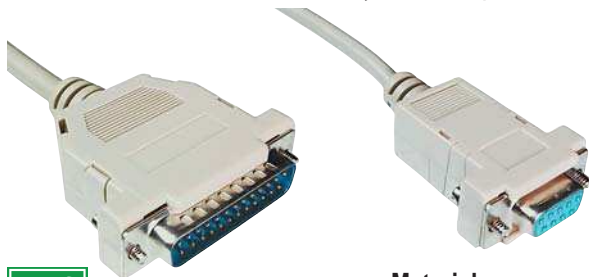
RoHS Compliant

AK143-2-R	2 M
AK143-3-R	3 M

Material:
Snap Hood
Cable 8-wire, shielded

NOTE: ABOVE LAYOUT MAY CONTAIN VARIANCES. FOR A DETAILED DRAWING PLEASE CALL 1-877-277-6266 OR GO TO WWW.ASSMANN.US

Null Modem Cable, DSub 9-pin female to DSub 25-pin male



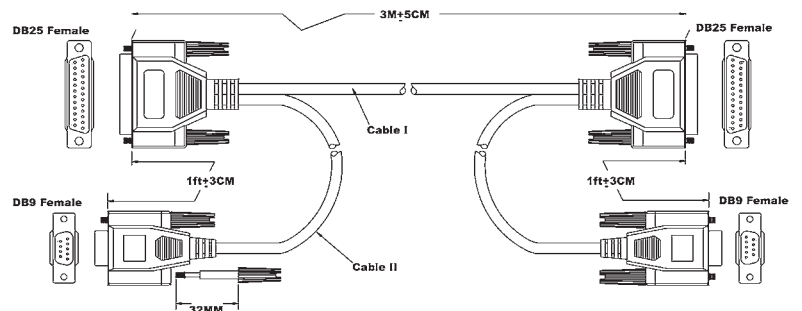
RoHS Compliant

AK128-.25-R	0.25 M
AK125-2-R	2 M
AK186/NEW-R	3 M (AT)

Material:
Snap Hood
Cable 9-wire, shielded

NOTE: ABOVE LAYOUT MAY CONTAIN VARIANCES. FOR A DETAILED DRAWING PLEASE CALL 1-877-277-6266 OR GO TO WWW.ASSMANN.US

Doublehead Datatransfer Cable, Serial, DSub 9-pin female to DSub 9-pin female, DSub 25-pin female to DSub 25-pin female



RoHS Compliant

AK252-R	3 M
---------	-----

Material:
Molded Hood
Cable 7-wire, shielded

NOTE: ABOVE LAYOUT MAY CONTAIN VARIANCES. FOR A DETAILED DRAWING PLEASE CALL 1-877-277-6266 OR GO TO WWW.ASSMANN.US

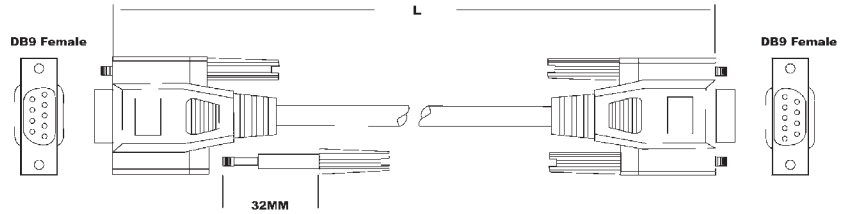
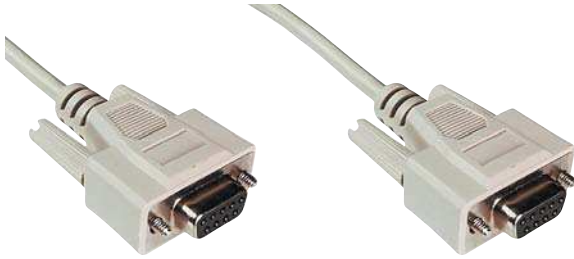
USB & IEEE
IDC & Flat Ribbon
IC, PLCC, Pin & Jumpers
DSub & Centronics
Waterproof
DVI & HDMI
Modular
Fiber-Optic
Power Cords
Wire to Board
SATA & eSATA
FFC/FFC
MiniDIN & Audio
KVM Cables

DSUB CABLES



USB & IEEE
IDC &
Flat Ribbon
IC, PLCC, Pin
& Jumpers
DSUB &
Centronics

Connection Cable - Serial, DSub 9-pin female to DSub 9-pin female



RoHS
Compliant

Material:
Molded Hood
Cable 9-wire, shielded, assignment 1:1

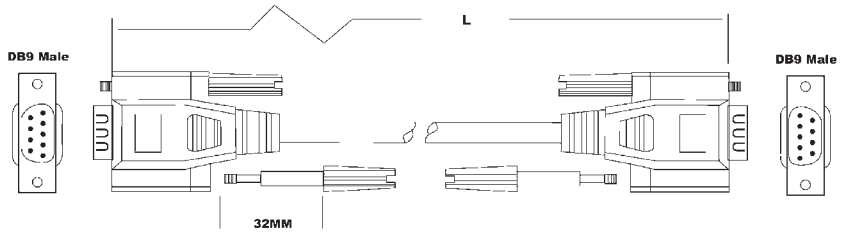
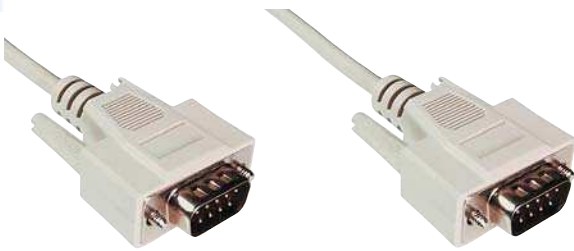
AK152-2-R	2 M
AK182-3-R	3 M
AK153-5-R	5 M

Unit: MM

NOTE: ABOVE LAYOUT MAY CONTAIN VARIANCES. FOR A DETAILED DRAWING PLEASE CALL 1-877-277-6266 OR GO TO WWW.ASSMANN.US

Waterproof
DVI & HDMI
Modular

Connection Cable - Serial, DSub 9-pin male to DSub 9-pin male



RoHS
Compliant

Material:
Molded Hood
Cable 9-wire, shielded, assignment 1:1

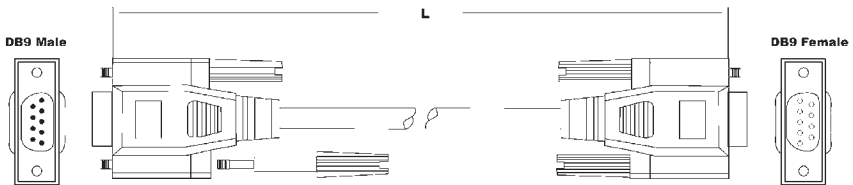
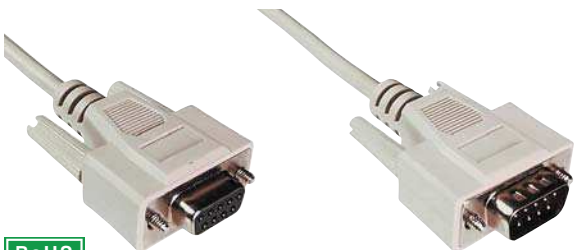
AK129-2-R	2 M
AK174-3-R	3 M

Unit: MM

NOTE: ABOVE LAYOUT MAY CONTAIN VARIANCES. FOR A DETAILED DRAWING PLEASE CALL 1-877-277-6266 OR GO TO WWW.ASSMANN.US

Fiber-Optic
Power Cords
Wire to Board
SATA &
eSATA

Extension Cable - Serial, DSub 9-pin male to DSub 9-pin female



RoHS
Compliant

Material:
Molded Hood
Cable 9-wire, shielded, assignment 1:1

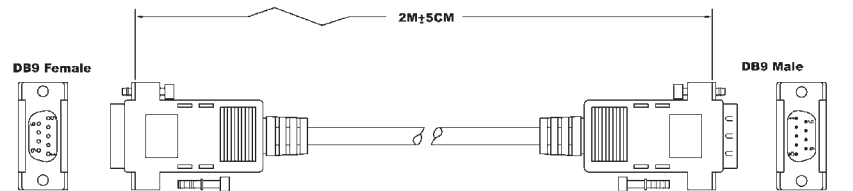
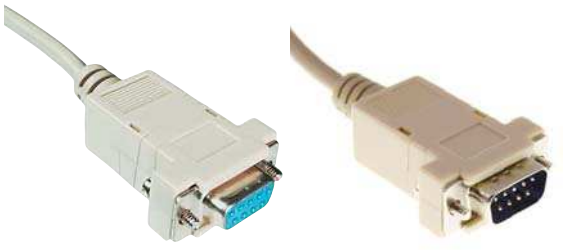
AK131-2-R	2 M
AK178-3-R	3 M
AK132-5-R	5 M
AK180-10-R	10 M

Unit: MM

NOTE: ABOVE LAYOUT MAY CONTAIN VARIANCES. FOR A DETAILED DRAWING PLEASE CALL 1-877-277-6266 OR GO TO WWW.ASSMANN.US

FFC/FPC
MiniDIN &
Audio
KVM Cables

Connection Cable, DSub 9-pin male to DSub 9-pin female



RoHS
Compliant

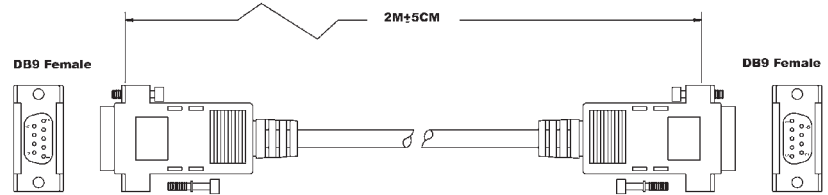
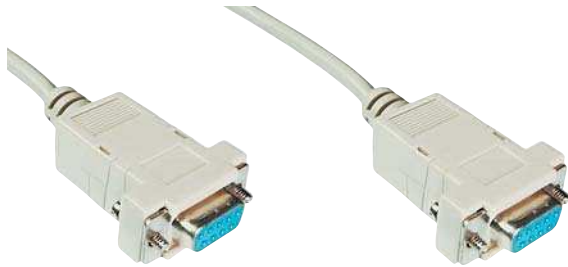
Material:
Snap Hood
Cable 9-wire, shielded, assignment 1:1

AK230-2-R	2 M
-----------	-----

Unit: MM

NOTE: ABOVE LAYOUT MAY CONTAIN VARIANCES. FOR A DETAILED DRAWING PLEASE CALL 1-877-277-6266 OR GO TO WWW.ASSMANN.US

Connection Cable, DSub 9-pin female to DSub 9-pin female



Material:
 Snap Hood
 Cable 9-wire, shielded, assignment 1:1

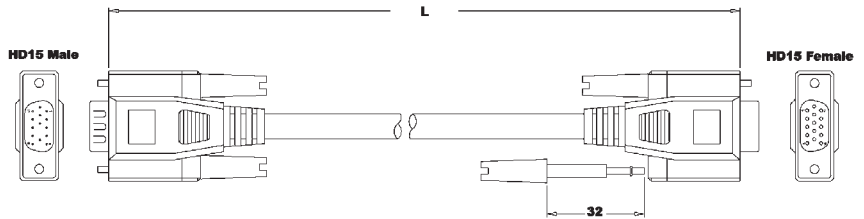


AK231-2-R 2 M

NOTE: ABOVE LAYOUT MAY CONTAIN VARIANCES. FOR A DETAILED DRAWING PLEASE CALL 1-877-277-6266 OR GO TO WWW.ASSMANN.US

Unit: MM

Premium VGA Monitor Extension Cable, HD DSub 15-pin male to HD DSub 15-pin female



Material:
 Molded Hood
 Cable UL2919
 3 x coax for RGB and 4 x AWG 28 signal wires

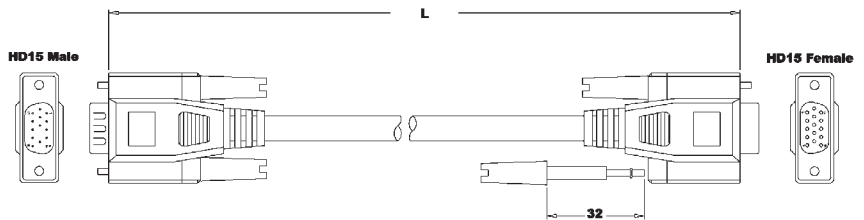


AK3220-1.8-R 2 M
 AK3730-3-R 3 M
 AK3740-5-R 5 M
 AK3750-10-R 10 M

NOTE: ABOVE LAYOUT MAY CONTAIN VARIANCES. FOR A DETAILED DRAWING PLEASE CALL 1-877-277-6266 OR GO TO WWW.ASSMANN.US

Unit: MM

Premium XGA Monitor Extension Cable, HD DSub 15-pin male to HD DSub 15-pin female



Material:
 Molded Hood
 Cable UL2919
 3 x coax for RGB and 7 x AWG 28 signal wires

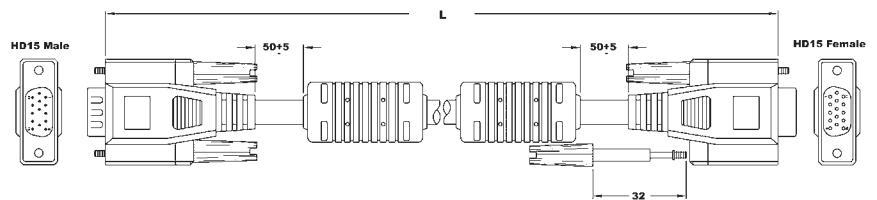


AK3220X-R 2 M
 AK3730X-R 3 M
 AK3740X-R 5 M
 AK3750X-R 10 M

NOTE: ABOVE LAYOUT MAY CONTAIN VARIANCES. FOR A DETAILED DRAWING PLEASE CALL 1-877-277-6266 OR GO TO WWW.ASSMANN.US

Unit: MM

Premium XGA Monitor Extension Cable w/Ferrite Filter, HD DSub 15-pin female to HD DSub 15-pin male



Material:
 Molded Hood
 Cable UL2919, ferrite on both ends
 3 x coax for RGB and 7 x AWG 28 signal wires



AK3220XF-R 1.8 M
 AK3730XF-R 3 M
 AK3740XF-R 5 M
 AK3750XF-R 10 M
 AK3915XF-R 15 M
 AK3920XF-R 20 M

NOTE: ABOVE LAYOUT MAY CONTAIN VARIANCES. FOR A DETAILED DRAWING PLEASE CALL 1-877-277-6266 OR GO TO WWW.ASSMANN.US

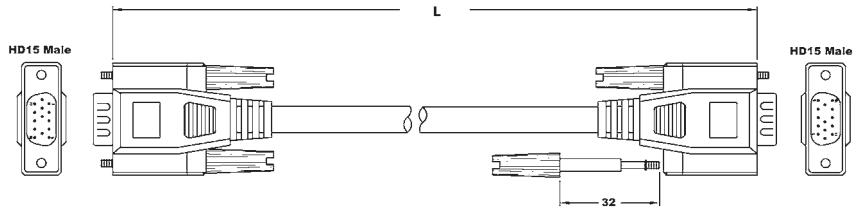
Unit: MM

USB & IEEE
 IDC & Flat Ribbon
 IC, PLCC, Pin & Jumpers
 DSub & Centronics
 Waterproof
 DVI & HDMI
 Modular
 Fiber-Optic
 Power Cords
 Wire to Board
 SATA & eSATA
 FFC/FFC
 MiniDIN & Audio
 KVM Cables

DSUB CABLES

Premium VGA Monitor Connection Cable, HD DSub 15-pin male to HD DSub 15-pin male

USB & IEEE
IDC &
Flat Ribbon
IC, PLCC, Pin
& Jumpers



AK5320-1.8-R	1.8 M
AK3760-3-R	3 M
AK3770-5-R	5 M
AK3780-10-R	10 M

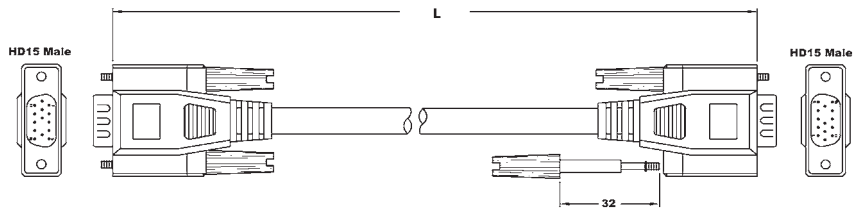
Material:
Molded Hood
Cable UL2919
3 x coax for RGB and 4 x AWG 28 signal wires

Unit: MM

NOTE: ABOVE LAYOUT MAY CONTAIN VARIANCES. FOR A DETAILED DRAWING PLEASE CALL 1-877-277-6266 OR GO TO WWW.ASSMANN.US

Premium XGA Monitor Connection Cable, HD DSub 15-pin male to HD DSub 15-pin male

Waterproof
DVI & HDMI



AK5320X-R	1.8 M
AK3760X-R	3 M
AK3770X-R	5 M
AK3780X-R	10 M

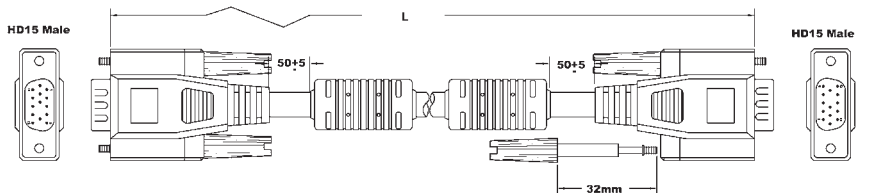
Material:
Molded Hood
Cable UL2919
3 x coax for RGB and 7 x AWG 28 signal wires

Unit: MM

NOTE: ABOVE LAYOUT MAY CONTAIN VARIANCES. FOR A DETAILED DRAWING PLEASE CALL 1-877-277-6266 OR GO TO WWW.ASSMANN.US

Premium XGA Monitor Connection Cable w/Ferrite Filter, HD DSub 15-pin male to HD DSub 15-pin male

Fiber-Optic
Power Cords
Wire to Board



AK5320XF-R	1.8 M
AK3760XF-R	3 M
AK3770XF-R	5 M
AK3780XF-R	10 M
AK3815XF-R	15 M
AK3820XF-R	20 M

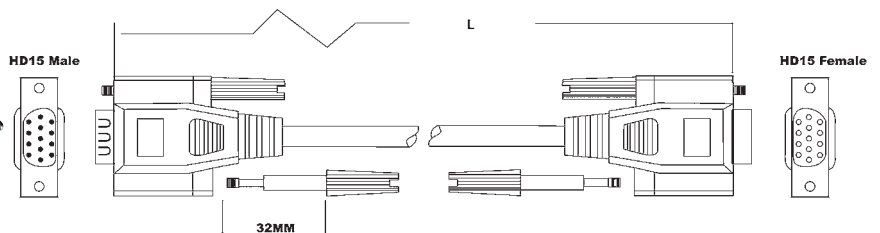
Material:
Molded Hood
Cable UL2919, ferrite on both ends
3 x coax for RGB and 7 x AWG 28 signal wires

Unit: MM

NOTE: ABOVE LAYOUT MAY CONTAIN VARIANCES. FOR A DETAILED DRAWING PLEASE CALL 1-877-277-6266 OR GO TO WWW.ASSMANN.US

VGA Monitor Extension Cable, HD DSub 15-pin female to HD DSub 15-pin male

FFC/FFC
MiniDIN &
Audio
KVM Cables



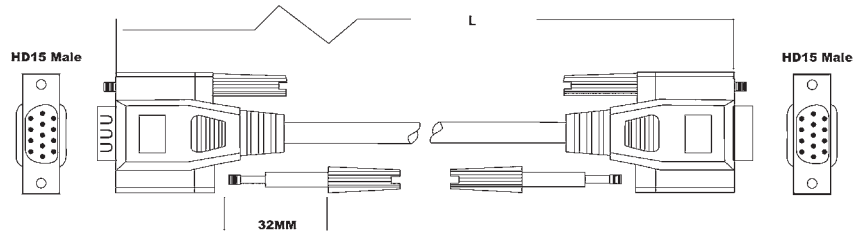
AK322-2-R	1.8 M
AK373-R	3 M
AK375-R	10 M

Material:
Molded Hood
Cable 15-wire, shielded

Unit: MM

NOTE: ABOVE LAYOUT MAY CONTAIN VARIANCES. FOR A DETAILED DRAWING PLEASE CALL 1-877-277-6266 OR GO TO WWW.ASSMANN.US

VGA Monitor Connection Cable, HD DSub 15-pin male to HD DSub 15-pin male



RoHS
Compliant

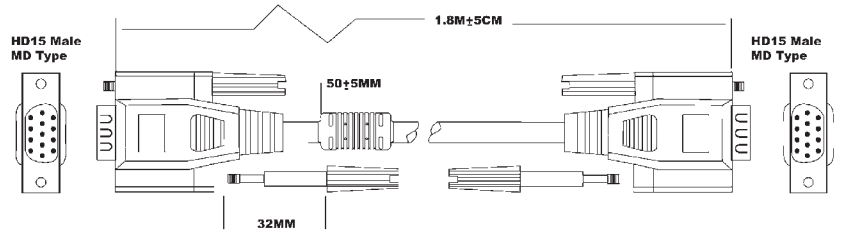
Material:
Molded Hood
Cable 15-wire, shielded

AK532-2-R	1.8 M
AK376-R	3 M
AK377-R	5 M

Unit: MM

NOTE: ABOVE LAYOUT MAY CONTAIN VARIANCES. FOR A DETAILED DRAWING PLEASE CALL 1-877-277-6266 OR GO TO WWW.ASSMANN.US

VGA Monitor Connection Cable w/Ferrite Filter, HD DSub 15-pin male to HD DSub 15-pin male



Material:
Molded Hood
Cable 15-wire, shielded

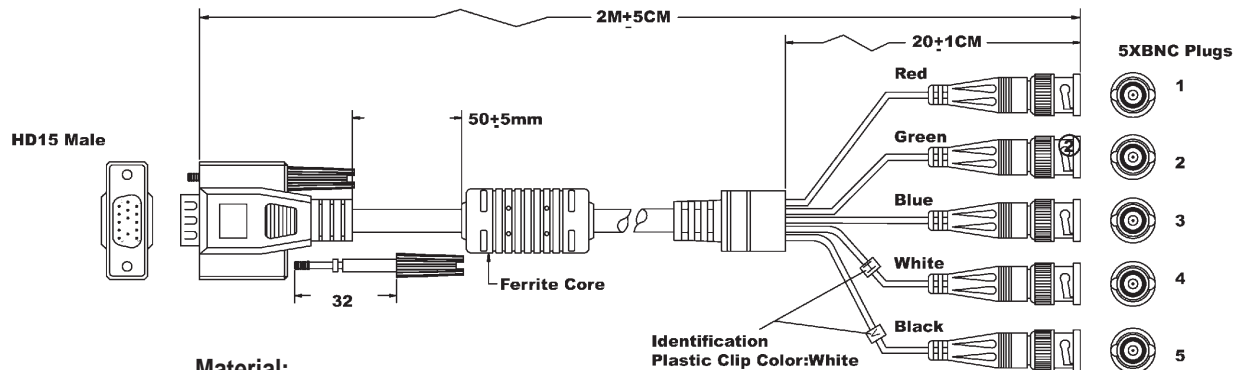
RoHS
Compliant

AK532F-1.8-R	2 M
--------------	-----

Unit: MM

NOTE: ABOVE LAYOUT MAY CONTAIN VARIANCES. FOR A DETAILED DRAWING PLEASE CALL 1-877-277-6266 OR GO TO WWW.ASSMANN.US

VGA to 5 x BNC, Monitor Connection Cable w/Ferrite Filter, HD DSub 15-pin male to 5 x BNC male



Material:
Molded Hood
Cable UL2919, ferrite on DSub end
5 x 75Ω coaxial cables RGB (Sync)

RoHS
Compliant

AK553/F-R	2 M
-----------	-----

Unit: MM

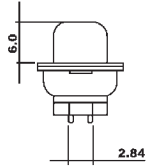
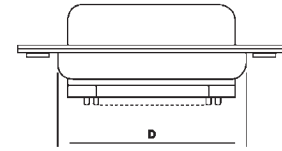
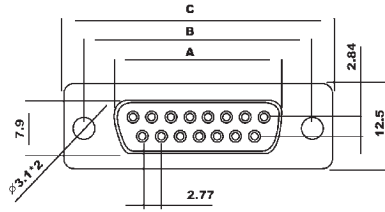
NOTE: ABOVE LAYOUT MAY CONTAIN VARIANCES. FOR A DETAILED DRAWING PLEASE CALL 1-877-277-6266 OR GO TO WWW.ASSMANN.US

USB & IEEE
IDC & Flat Ribbon
IC, PLCC, Pin & Jumpers
DSub & Centronics
Waterproof
DVI & HDMI
Modular
Fiber-Optic
Power Cords
Wire to Board
SATA & eSATA
FFC/FFC
MiniDIN & Audio
KVM Cables



DSUB Connectors - Solder Cup, 9-50 contacts

USB & IEEE
IDC &
Flat Ribbon
& Jumpers
IC, PLCC, Pin



Material:

Insulator: PBT, UL94V-0
Contacts: Brass
Shell: Tin plated steel
Contact Plating: Gold Flash/Nickel

Electrical:

Current Rating: 5.0A
Insulation Resistance: 5,000MQ Min.
Dielectric Withstanding: 1,000V AC

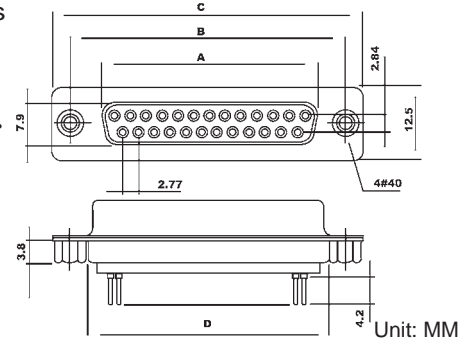
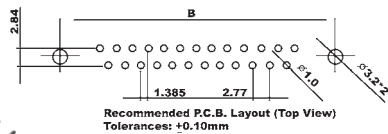


Unit: MM

NOTE: ABOVE LAYOUT MAY CONTAIN VARIANCES. FOR A DETAILED DRAWING PLEASE CALL 1-877-277-6266 OR GO TO WWW.ASSMANN.US

	Assmann Part Number (Standard Stocking Item)	Contacts	Gender	Threaded Inserts	Hex Stand-Off	Type	Dim. A	Dim. B	Dim. C	Dim. D
DSUB & Centronics	A-DF09LL-TL-B-R	9	Female	No	No	Stamped	16.30	25.00	30.80	19.20
	A-DF15LL-TL-B-R	15	Female	No	No	Stamped	24.60	33.30	39.20	27.70
	A-DF25LL-TL-B-R	25	Female	No	No	Stamped	38.30	47.10	53.10	41.10
	A-DF37LL-TL-B-R	37	Female	No	No	Stamped	54.80	63.50	69.40	57.30
	A-DF50LL-TL-B-R	50	Female	No	No	Stamped	52.20	61.00	67.00	55.10
Waterproof	A-DS09LL-TL-B-R	9	Male	No	No	Stamped	16.92	25.00	30.80	19.20
	A-DS15LL-TL-B-R	15	Male	No	No	Stamped	25.25	33.30	39.20	27.70
	A-DS25LL-TL-B-R	25	Male	No	No	Stamped	38.96	47.10	53.10	41.10
	A-DS37LL-TL-B-R	37	Male	No	No	Stamped	55.42	63.50	69.40	57.30
	A-DS50LL-TL-B-R	50	Male	No	No	Stamped	52.81	61.00	67.00	55.10
DVI & HDMI	A-DF09LL-TAXL-B-R	9	Female	Yes	No	Stamped	16.30	25.00	30.80	19.20
	A-DF15LL-TAXL-B-R	15	Female	Yes	No	Stamped	24.60	33.30	39.20	27.70
	A-DF25LL-TAXL-B-R	25	Female	Yes	No	Stamped	38.30	47.10	53.10	41.10
	A-DF37LL-TAXL-B-R	37	Female	Yes	No	Stamped	54.80	63.50	69.40	57.30
	A-DF50LL-TAXL-B-R	50	Female	Yes	No	Stamped	52.20	61.00	67.00	55.10
Modular	A-DS09LL-TAXL-B-R	9	Male	Yes	No	Stamped	16.92	25.00	30.80	19.20
	A-DS15LL-TAXL-B-R	15	Male	Yes	No	Stamped	25.25	33.30	39.20	27.70
	A-DS25LL-TAXL-B-R	25	Male	Yes	No	Stamped	38.96	47.10	53.10	41.10
	A-DS37LL-TAXL-B-R	37	Male	Yes	No	Stamped	55.42	63.50	69.40	57.30
	A-DS50LL-TAXL-B-R	50	Male	Yes	No	Stamped	52.81	61.00	67.00	55.10
Fiber-Optic	A-DF09LL-TASL-B-R	9	Female	Yes	Yes	Stamped	16.30	25.00	30.80	19.20
	A-DF15LL-TASL-B-R	15	Female	Yes	Yes	Stamped	24.60	33.30	39.20	27.70
	A-DF25LL-TASL-B-R	25	Female	Yes	Yes	Stamped	38.30	47.10	53.10	41.10
	A-DF37LL-TASL-B-R	37	Female	Yes	Yes	Stamped	54.80	63.50	69.40	57.30
	A-DF50LL-TASL-B-R	50	Female	Yes	Yes	Stamped	52.20	61.00	67.00	55.10
Power Cords	A-DS09LL-TASL-B-R	9	Male	Yes	Yes	Stamped	16.92	25.00	30.80	19.20
	A-DS15LL-TASL-B-R	15	Male	Yes	Yes	Stamped	25.25	33.30	39.20	27.70
	A-DS25LL-TASL-B-R	25	Male	Yes	Yes	Stamped	38.96	47.10	53.10	41.10
	A-DS37LL-TASL-B-R	37	Male	Yes	Yes	Stamped	55.42	63.50	69.40	57.30
	A-DS50LL-TASL-B-R	50	Male	Yes	Yes	Stamped	52.81	61.00	67.00	55.10
Wire to Board	A-DF09LL-TAXM-B-R	9	Female	Yes	No	Machined	16.30	25.00	30.80	19.20
	A-DF15LL-TAXM-B-R	15	Female	Yes	No	Machined	24.60	33.30	39.20	27.70
	A-DF25LL-TAXM-B-R	25	Female	Yes	No	Machined	38.30	47.10	53.10	41.10
	A-DF37LL-TAXM-B-R	37	Female	Yes	No	Machined	54.80	63.50	69.40	57.30
	A-DF50LL-TAXM-B-R	50	Female	Yes	No	Machined	52.20	61.00	67.00	55.10
SATA & eSATA	A-DS09LL-TAXM-B-R	9	Male	Yes	No	Machined	16.92	25.00	30.80	19.20
	A-DS15LL-TAXM-B-R	15	Male	Yes	No	Machined	25.25	33.30	39.20	27.70
	A-DS25LL-TAXM-B-R	25	Male	Yes	No	Machined	38.96	47.10	53.10	41.10
	A-DS37LL-TAXM-B-R	37	Male	Yes	No	Machined	55.42	63.50	69.40	57.30
	A-DS50LL-TAXM-B-R	50	Male	Yes	No	Machined	52.81	61.00	67.00	55.10
FFC/FPC	A-DF09LL-TASM-B-R	9	Female	Yes	Yes	Machined	16.30	25.00	30.80	19.20
	A-DF15LL-TASM-B-R	15	Female	Yes	Yes	Machined	24.60	33.30	39.20	27.70
	A-DF25LL-TASM-B-R	25	Female	Yes	Yes	Machined	38.30	47.10	53.10	41.10
	A-DF37LL-TASM-B-R	37	Female	Yes	Yes	Machined	54.80	63.50	69.40	57.30
	A-DF50LL-TASM-B-R	50	Female	Yes	Yes	Machined	52.20	61.00	67.00	55.10
MiniDIN & Audio	A-DS09LL-TASM-B-R	9	Male	Yes	Yes	Machined	16.92	25.00	30.80	19.20
	A-DS15LL-TASM-B-R	15	Male	Yes	Yes	Machined	25.25	33.30	39.20	27.70
	A-DS25LL-TASM-B-R	25	Male	Yes	Yes	Machined	38.96	47.10	53.10	41.10
	A-DS37LL-TASM-B-R	37	Male	Yes	Yes	Machined	55.42	63.50	69.40	57.30
	A-DS50LL-TASM-B-R	50	Male	Yes	Yes	Machined	52.81	61.00	67.00	55.10
KVM Cables	A-DS09LL-TASM-B-R	9	Male	Yes	Yes	Machined	16.92	25.00	30.80	19.20
	A-DS15LL-TASM-B-R	15	Male	Yes	Yes	Machined	25.25	33.30	39.20	27.70
	A-DS25LL-TASM-B-R	25	Male	Yes	Yes	Machined	38.96	47.10	53.10	41.10
	A-DS37LL-TASM-B-R	37	Male	Yes	Yes	Machined	55.42	63.50	69.40	57.30
	A-DS50LL-TASM-B-R	50	Male	Yes	Yes	Machined	52.81	61.00	67.00	55.10

DSUB Connectors - Straight Pin, for PCB mount, 9-50 contacts



Material:

Insulator: PBT, UL94V-0
 Contacts: Brass
 Shell: Tin plated steel
 Contact Plating: Gold Flash/Nickel

Electrical:

Current Rating: 5.0A
 Insulation Resistance: 5,000MQ Min.
 Dielectric Withstanding: 1,000V AC



NOTE: ABOVE LAYOUT MAY CONTAIN VARIANCES. FOR A DETAILED DRAWING PLEASE CALL 1-877-277-6266 OR GO TO WWW.ASSMANN.US

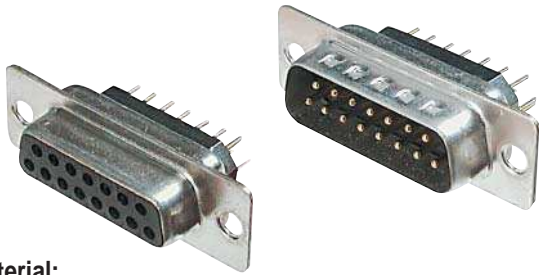
Assmann Part Number (Standard Stocking Item)	Contacts	Gender	Threaded Inserts	Hex Stand-Off	Type	Dim. A	Dim. B	Dim. C	Dim. D
A-DF09PP-TL-B-R	9	Female	No	No	Stamped	16.30	25.00	30.80	19.20
A-DF15PP-TL-B-R	15	Female	No	No	Stamped	24.60	33.30	39.20	27.70
A-DF25PP-TL-B-R	25	Female	No	No	Stamped	38.30	47.10	53.10	41.10
A-DF37PP-TL-B-R	37	Female	No	No	Stamped	54.80	63.50	69.40	57.30
A-DF50PP-TL-B-R	50	Female	No	No	Stamped	52.20	61.00	67.00	55.10
A-DS09PP-TL-B-R	9	Male	No	No	Stamped	16.92	25.00	30.80	19.20
A-DS15PP-TL-B-R	15	Male	No	No	Stamped	25.25	33.30	39.20	27.70
A-DS25PP-TL-B-R	25	Male	No	No	Stamped	38.96	47.10	53.10	41.10
A-DS37PP-TL-B-R	37	Male	No	No	Stamped	55.42	63.50	69.40	57.30
A-DS50PP-TL-B-R	50	Male	No	No	Stamped	52.81	61.00	67.00	55.10
A-DF09PP-TAXL-B-R	9	Female	Yes	No	Stamped	16.30	25.00	30.80	19.20
A-DF15PP-TAXL-B-R	15	Female	Yes	No	Stamped	24.60	33.30	39.20	27.70
A-DF25PP-TAXL-B-R	25	Female	Yes	No	Stamped	38.30	47.10	53.10	41.10
A-DF37PP-TAXL-B-R	37	Female	Yes	No	Stamped	54.80	63.50	69.40	57.30
A-DF50PP-TAXL-B-R	50	Female	Yes	No	Stamped	52.20	61.00	67.00	55.10
A-DS09PP-TAXL-B-R	9	Male	Yes	No	Stamped	16.92	25.00	30.80	19.20
A-DS15PP-TAXL-B-R	15	Male	Yes	No	Stamped	25.25	33.30	39.20	27.70
A-DS25PP-TAXL-B-R	25	Male	Yes	No	Stamped	38.96	47.10	53.10	41.10
A-DS37PP-TAXL-B-R	37	Male	Yes	No	Stamped	55.42	63.50	69.40	57.30
A-DS50PP-TAXL-B-R	50	Male	Yes	No	Stamped	52.81	61.00	67.00	55.10
A-DF09PP-TASL-B-R	9	Female	Yes	Yes	Stamped	16.30	25.00	30.80	19.20
A-DF15PP-TASL-B-R	15	Female	Yes	Yes	Stamped	24.60	33.30	39.20	27.70
A-DF25PP-TASL-B-R	25	Female	Yes	Yes	Stamped	38.30	47.10	53.10	41.10
A-DF37PP-TASL-B-R	37	Female	Yes	Yes	Stamped	54.80	63.50	69.40	57.30
A-DF50PP-TASL-B-R	50	Female	Yes	Yes	Stamped	52.20	61.00	67.00	55.10
A-DS09PP-TASL-B-R	9	Male	Yes	Yes	Stamped	16.92	25.00	30.80	19.20
A-DS15PP-TASL-B-R	15	Male	Yes	Yes	Stamped	25.25	33.30	39.20	27.70
A-DS25PP-TASL-B-R	25	Male	Yes	Yes	Stamped	38.96	47.10	53.10	41.10
A-DS37PP-TASL-B-R	37	Male	Yes	Yes	Stamped	55.42	63.50	69.40	57.30
A-DS50PP-TASL-B-R	50	Male	Yes	Yes	Stamped	52.81	61.00	67.00	55.10
A-DF09PP-TAXM-B-R	9	Female	Yes	No	Machined	16.30	25.00	30.80	19.20
A-DF15PP-TAXM-B-R	15	Female	Yes	No	Machined	24.60	33.30	39.20	27.70
A-DF25PP-TAXM-B-R	25	Female	Yes	No	Machined	38.30	47.10	53.10	41.10
A-DF37PP-TAXM-B-R	37	Female	Yes	No	Machined	54.80	63.50	69.40	57.30
A-DF50PP-TAXM-B-R	50	Female	Yes	No	Machined	52.20	61.00	67.00	55.10
A-DS09PP-TAXM-B-R	9	Male	Yes	No	Machined	16.92	25.00	30.80	19.20
A-DS15PP-TAXM-B-R	15	Male	Yes	No	Machined	25.25	33.30	39.20	27.70
A-DS25PP-TAXM-B-R	25	Male	Yes	No	Machined	38.96	47.10	53.10	41.10
A-DS37PP-TAXM-B-R	37	Male	Yes	No	Machined	55.42	63.50	69.40	57.30
A-DS50PP-TAXM-B-R	50	Male	Yes	No	Machined	52.81	61.00	67.00	55.10
A-DF09PP-TASM-B-R	9	Female	Yes	Yes	Machined	16.30	25.00	30.80	19.20
A-DF15PP-TASM-B-R	15	Female	Yes	Yes	Machined	24.60	33.30	39.20	27.70
A-DF25PP-TASM-B-R	25	Female	Yes	Yes	Machined	38.30	47.10	53.10	41.10
A-DF37PP-TASM-B-R	37	Female	Yes	Yes	Machined	54.80	63.50	69.40	57.30
A-DF50PP-TASM-B-R	50	Female	Yes	Yes	Machined	52.20	61.00	67.00	55.10
A-DS09PP-TASM-B-R	9	Male	Yes	Yes	Machined	16.92	25.00	30.80	19.20
A-DS15PP-TASM-B-R	15	Male	Yes	Yes	Machined	25.25	33.30	39.20	27.70
A-DS25PP-TASM-B-R	25	Male	Yes	Yes	Machined	38.96	47.10	53.10	41.10
A-DS37PP-TASM-B-R	37	Male	Yes	Yes	Machined	55.42	63.50	69.40	57.30
A-DS50PP-TASM-B-R	50	Male	Yes	Yes	Machined	52.81	61.00	67.00	55.10

USB & IEEE
 IDC & Flat Ribbon
 IC, PLCC, Pin & Jumpers
 DSub & Centronics
 Waterproof
 DVI & HDMI
 Modular
 Fiber-Optic
 Power Cords
 Wire to Board
 SATA & eSATA
 FFC/FFC
 MiniDIN & Audio
 KVM Cables



USB & IEEE
IDC & Flat Ribbon
IC, PLCC, Pin & Jumpers
DSUB & Centronics
Waterproof
DVI & HDMI
Modular
Fiber-Optic
Power Cords
Wire to Board
SATA & eSATA
FFC/FFC
MiniDIN & Audio
KVM Cables

DSub Connectors - Straight Pin, Filtered, for PCB mount, w/ferrite plate, 9-37 contacts

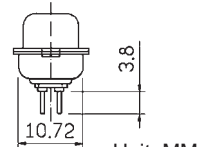
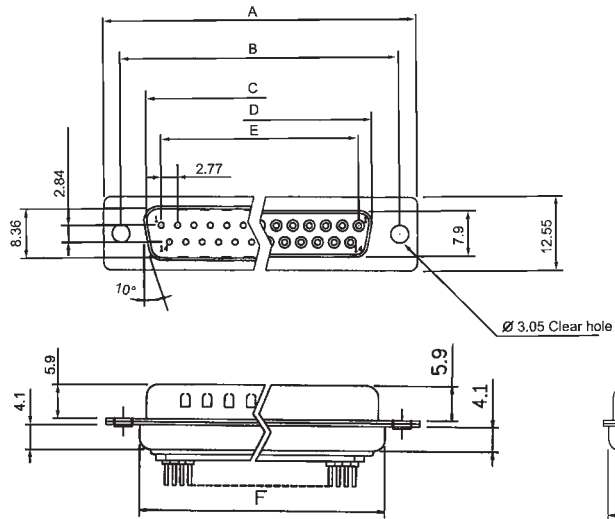


Material:
Insulator: PBT Thermoplastic, UL94V-0
Shell: Tin plated steel
Contact Pin: Brass
Contact Socket: Phosphor Bronze
Contact Plating: Gold over Nickel
Operating Temperature: -55°C~+125°C

Electrical:
Current Rating: 5.0A
Insulation Resistance: 5,000MΩ Min.
Dielectric Withstanding: 1,000V AC



Ferrite Specifications:
Z(Ω), 20 min., 30MHz
Z(Ω), 30 min., 50MHz
Z(Ω), 50 min., 100MHz



Unit: MM

NOTE: ABOVE LAYOUT MAY CONTAIN VARIANCES. FOR A DETAILED DRAWING PLEASE CALL 1-877-277-6266 OR GO TO WWW.ASSMANN.US

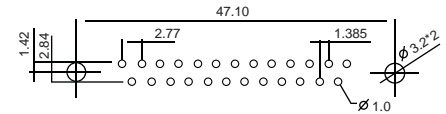
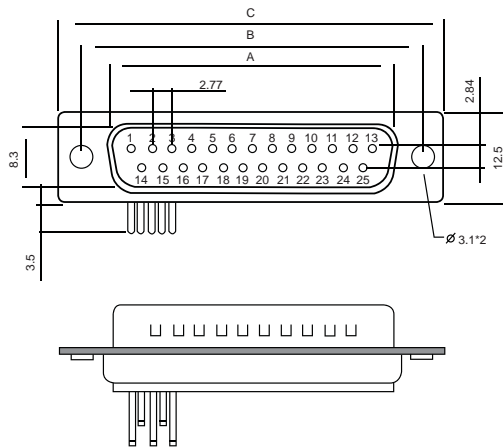
Assmann Part Number (Standard Stocking Item)	Contacts	Gender	Threaded Inserts	Hex Stand-Off	Type	Dim. A	Dim. B	Dim. C	Dim. D & F	Dim. E
A-DF09PFI-R	9	Female	No	No	Stamped	30.80	25.00	16.33	19.20	10.90
A-DF15PFI-R	15	Female	No	No	Stamped	39.20	33.30	24.66	27.70	10.90
A-DF25PFI-R	25	Female	No	No	Stamped	53.10	47.10	38.38	41.10	10.90
A-DF37PFI-R	37	Female	No	No	Stamped	69.40	63.50	54.84	57.30	10.90
A-DS09PFI-R	9	Male	No	No	Stamped	30.80	25.00	16.33	19.20	10.90
A-DS15PFI-R	15	Male	No	No	Stamped	39.20	33.30	24.66	27.70	10.90
A-DS25PFI-R	25	Male	No	No	Stamped	53.10	47.10	38.38	41.10	10.90
A-DS37PFI-R	37	Male	No	No	Stamped	69.40	63.50	54.84	57.30	10.90

DSub Connectors - Right Angled, for PCB mount, 9-37 contacts

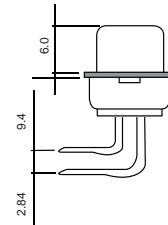


Material:
Insulator: PBT Thermoplastic, UL94V-0
Shell: Tin plated steel
Contact Pin: Brass
Contact Socket: Phosphor Bronze
Contact Plating: Gold over Nickel
Operating Temperature: -55°C~+125°C

Electrical:
Current Rating: 5.0A
Insulation Resistance: 5,000MΩ Min.
Dielectric Withstanding: 1,000V AC



PCB Layout

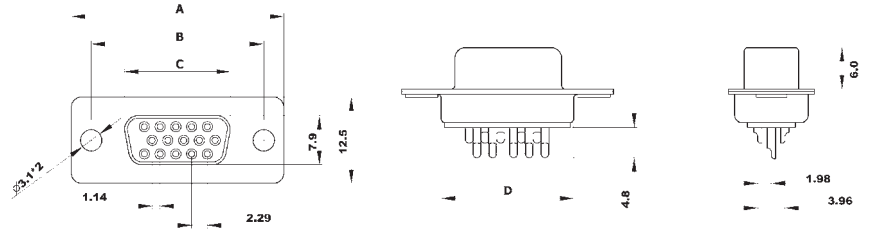


Unit: MM

NOTE: ABOVE LAYOUT MAY CONTAIN VARIANCES. FOR A DETAILED DRAWING PLEASE CALL 1-877-277-6266 OR GO TO WWW.ASSMANN.US

Assmann Part Number (Standard Stocking Item)	Contacts	Gender	Threaded Inserts	Hex Stand-Off	Type	Dim. A	Dim. B	Dim. C
A-DF09AA-T-B-R	9	Female	No	No	Stamped	16.30	25.00	30.80
A-DF15AA-T-B-R	15	Female	No	No	Stamped	24.60	33.30	39.20
A-DF25AA-T-B-R	25	Female	No	No	Stamped	38.30	47.10	53.10
A-DF37AA-T-B-R	37	Female	No	No	Stamped	54.80	63.50	69.40
A-DS09AA-T-B-R	9	Male	No	No	Stamped	16.92	25.00	30.80
A-DS15AA-T-B-R	15	Male	No	No	Stamped	25.25	33.30	39.20
A-DS25AA-T-B-R	25	Male	No	No	Stamped	38.96	47.10	53.10
A-DS37AA-T-B-R	37	Male	No	No	Stamped	55.42	63.50	69.40

High Density DSub Connectors - Solder Cup, 15-62 contacts



Material:

Insulator: PBT Thermoplastic, UL94V-0
 Contacts: Brass
 Shell: Tin plated steel
 Contact Plating: Gold over Nickel
 Operating Temperature: -55°C~+125°C

Electrical:

Current Rating: 5.0A
 Insulation Resistance: 5,000MQ Min.
 Dielectric Withstanding: 1,000V AC

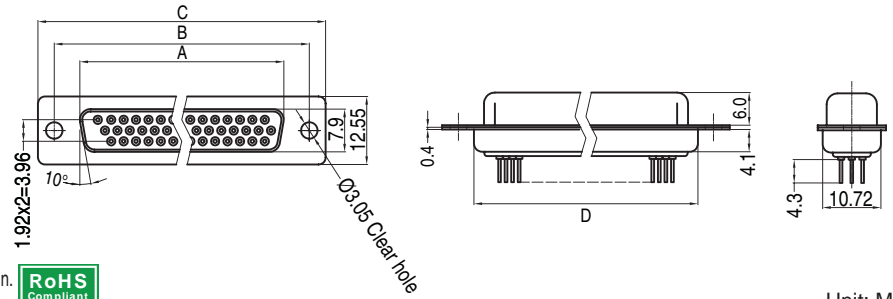


NOTE: ABOVE LAYOUT MAY CONTAIN VARIANCES. FOR A DETAILED DRAWING PLEASE CALL 1-877-277-6266 OR GO TO WWW.ASSMANN.US

Unit: MM

Assmann Part Number (Standard Stocking Item)	Contacts	Gender	Threaded Inserts	Hex Stand-Off	Type	Dim. A	Dim. B	Dim. C	Dim. D
A-HDF15LL-TL-B-R	15	Female	No	No	Stamped	16.33	25.00	30.80	19.20
A-HDF26LL-TL-B-R	26	Female	No	No	Stamped	24.60	33.30	39.20	27.70
A-HDF44LL-TL-B-R	44	Female	No	No	Stamped	38.30	47.10	53.10	41.10
A-HDF62LL-TL-B-R	62	Female	No	No	Stamped	54.80	63.50	69.40	57.30
A-HDS15LL-TL-B-R	15	Male	No	No	Stamped	16.92	25.00	30.80	19.20
A-HDS26LL-TL-B-R	26	Male	No	No	Stamped	25.25	33.30	39.20	27.70
A-HDS44LL-TL-B-R	44	Male	No	No	Stamped	38.96	47.10	53.10	41.10
A-HDS62LL-TL-B-R	62	Male	No	No	Stamped	55.42	63.50	69.40	57.30
A-HDF15LL-TAXL-B-R	15	Female	Yes	No	Stamped	16.33	25.00	30.80	19.20
A-HDF26LL-TAXL-B-R	26	Female	Yes	No	Stamped	24.60	33.30	39.20	27.70
A-HDF44LL-TAXL-B-R	44	Female	Yes	No	Stamped	38.30	47.10	53.10	41.10
A-HDF62LL-TAXL-B-R	62	Female	Yes	No	Stamped	54.80	63.50	69.40	57.30
A-HDS15LL-TAXL-B-R	15	Male	Yes	No	Stamped	16.92	25.00	30.80	19.20
A-HDS26LL-TAXL-B-R	26	Male	Yes	No	Stamped	25.25	33.30	39.20	27.70
A-HDS44LL-TAXL-B-R	44	Male	Yes	No	Stamped	38.96	47.10	53.10	41.10
A-HDS62LL-TAXL-B-R	62	Male	Yes	No	Stamped	55.42	63.50	69.40	57.30

High Density DSub Connectors - Straight Pin, for PCB mount, 15-62 contacts



Material:

Insulator: PBT Thermoplastic, UL94V-0
 Contacts: Brass
 Shell: Tin plated steel
 Contact Plating: Gold over Nickel
 Operating Temperature: -55°C~+125°C

Electrical:

Current Rating: 5.0A
 Insulation Resistance: 5,000MQ Min.
 Dielectric Withstanding: 1,000V AC



NOTE: ABOVE LAYOUT MAY CONTAIN VARIANCES. FOR A DETAILED DRAWING PLEASE CALL 1-877-277-6266 OR GO TO WWW.ASSMANN.US

Unit: MM

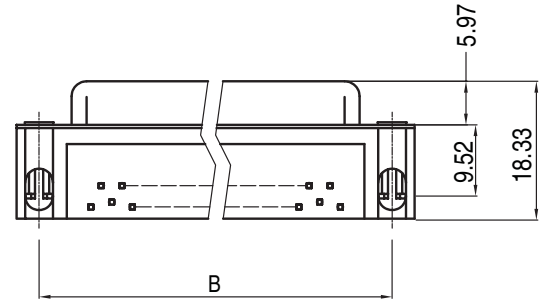
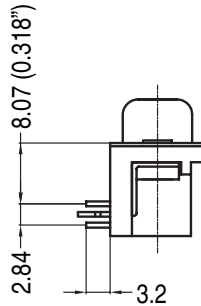
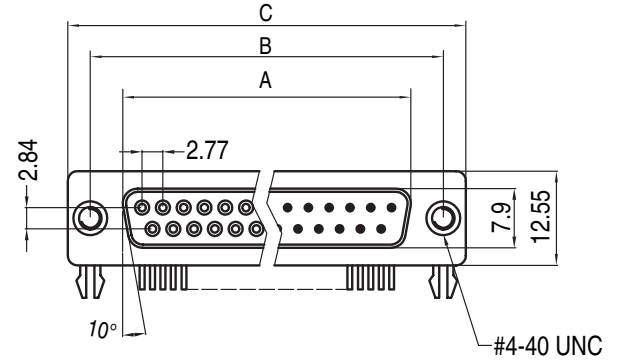
Assmann Part Number (Standard Stocking Item)	Contacts	Gender	Threaded Inserts	Hex Stand-Off	Type	Dim. A	Dim. B	Dim. C	Dim. D
A-HDF15PP-TL-B-R	15	Female	No	No	Stamped	16.33	25.00	30.80	19.20
A-HDF26PP-TL-B-R	26	Female	No	No	Stamped	24.60	33.30	39.20	27.70
A-HDF44PP-TL-B-R	44	Female	No	No	Stamped	38.30	47.10	53.10	41.10
A-HDF62PP-TL-B-R	62	Female	No	No	Stamped	54.80	63.50	69.40	57.30
A-HDS15PP-TL-B-R	15	Male	No	No	Stamped	16.92	25.00	30.80	19.20
A-HDS26PP-TL-B-R	26	Male	No	No	Stamped	25.25	33.30	39.20	27.70
A-HDS44PP-TL-B-R	44	Male	No	No	Stamped	38.96	47.10	53.10	41.10
A-HDS62PP-TL-B-R	62	Male	No	No	Stamped	55.42	63.50	69.40	57.30
A-HDF15PP-TAXL-B-R	15	Female	Yes	No	Stamped	16.92	25.00	30.80	19.20
A-HDF26PP-TAXL-B-R	26	Female	Yes	No	Stamped	25.25	33.30	39.20	27.70
A-HDF44PP-TAXL-B-R	44	Female	Yes	No	Stamped	38.96	47.10	53.10	41.10
A-HDF62PP-TAXL-B-R	62	Female	Yes	No	Stamped	55.42	63.50	69.40	57.30
A-HDS15PP-TAXL-B-R	15	Male	Yes	No	Stamped	16.92	25.00	30.80	19.20
A-HDS26PP-TAXL-B-R	26	Male	Yes	No	Stamped	25.25	33.30	39.20	27.70
A-HDS44PP-TAXL-B-R	44	Male	Yes	No	Stamped	38.96	47.10	53.10	41.10
A-HDS62PP-TAXL-B-R	62	Male	Yes	No	Stamped	55.42	63.50	69.40	57.30

USB & IEEE
 IDC & Flat Ribbon
 IC, PLCC, Pin & Jumpers
 Unit: MM
 DSub & Centronics
 Waterproof
 DVI & HDMI
 Modular
 Fiber-Optic
 Power Cords
 Wire to Board
 SATA & eSATA
 FFC/FFC
 MiniDIN & Audio
 KVM Cables



DSub Connectors - Right Angle Shrouded, .318 footprint, 9-37 contacts

USB & IEEE
IDC & Flat Ribbon
IC, PLCC, Pin & Jumpers
DSub & Centronics
Waterproof
DVI & HDMI
Modular
Fiber-Optic
Power Cords
Wire to Board

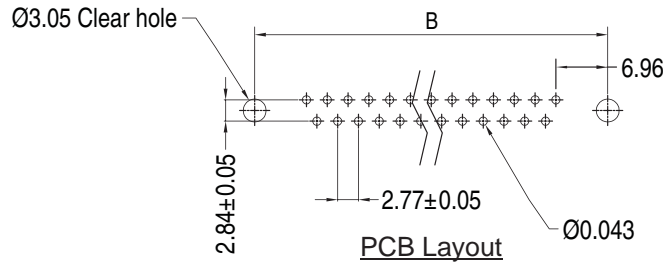


Material:

Insulator: PBT Thermoplastic, 30% Glass Filled self-extinguishing, UL94V-0
Shell: Tin plated steel
Contact Pin: Brass
Contact Socket: Phosphor Bronze
Contact Plating: Gold over Nickel
Operating Temperature: -55°C~+125°C

Electrical:

Current Rating: 5.0A
Insulation Resistance: 5,000MΩ Min.
Dielectric Withstanding: 1,000V AC

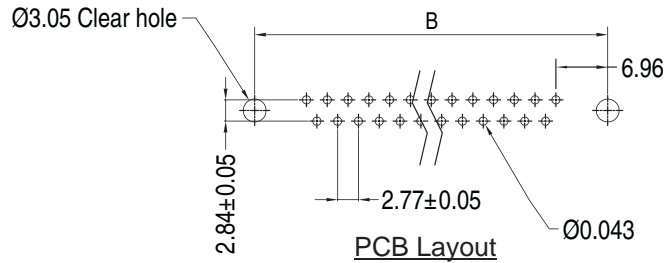
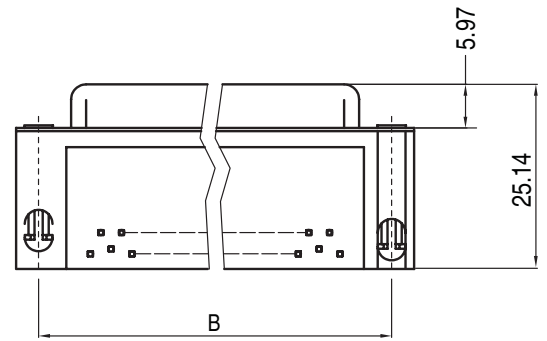
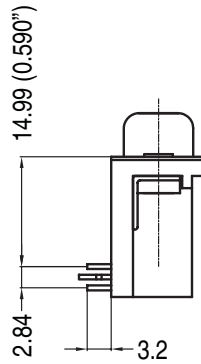
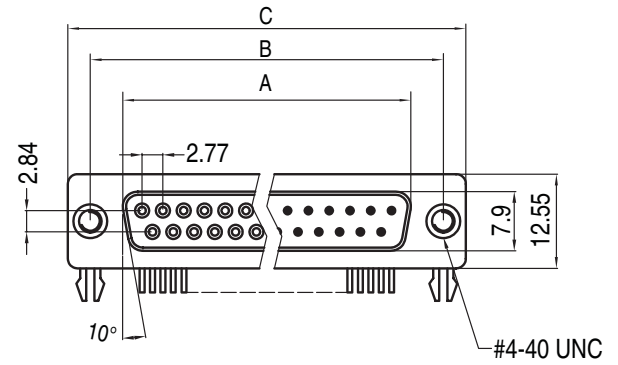


Unit: MM

NOTE: ABOVE LAYOUT MAY CONTAIN VARIANCES. FOR A DETAILED DRAWING PLEASE CALL 1-877-277-6266 OR GO TO WWW.ASSMANN.US

Assmann Part Number (Standard Stocking Item)	Contacts	Gender	Threaded Inserts	Hex Stand-Off	Type	Dim. A	Dim. B	Dim. C
ADF09A-KG-TAXB3-R	9	Female	Yes	No	Boardlocks	16.33	24.99	30.81
ADF15A-KG-TAXB3-R	15	Female	Yes	No	Boardlocks	24.66	33.32	39.14
ADF25A-KG-TAXB3-R	25	Female	Yes	No	Boardlocks	38.38	47.04	53.04
ADF37A-KG-TAXB3-R	37	Female	Yes	No	Boardlocks	54.84	63.50	69.32
ADS09A-KG-TASB3-R	9	Male	Yes	No	Boardlocks	16.92	24.99	30.81
ADS15A-KG-TASB3-R	15	Male	Yes	No	Boardlocks	25.31	33.32	39.14
ADS25A-KG-TASB3-R	25	Male	Yes	No	Boardlocks	39.04	47.04	53.04
ADS37A-KG-TASB3-R	37	Male	Yes	No	Boardlocks	55.46	63.50	69.32
ADF09A-KG-TASB3-R	9	Female	Yes	Yes	Boardlocks	16.33	24.99	30.81
ADF15A-KG-TASB3-R	15	Female	Yes	Yes	Boardlocks	24.66	33.32	39.14
ADF25A-KG-TASB3-R	25	Female	Yes	Yes	Boardlocks	38.38	47.04	53.04
ADF37A-KG-TASB3-R	37	Female	Yes	Yes	Boardlocks	54.84	63.50	69.32
ADS09A-KG-TASB3-R	9	Male	Yes	Yes	Boardlocks	16.33	24.99	30.81
ADS15A-KG-TASB3-R	15	Male	Yes	Yes	Boardlocks	24.66	33.32	39.14
ADS25A-KG-TASB3-R	25	Male	Yes	Yes	Boardlocks	38.38	47.04	53.04
ADS37A-KG-TASB3-R	37	Male	Yes	Yes	Boardlocks	54.84	63.50	69.32

DSub Connectors - Right Angle Shrouded, .590 footprint, 9-37 contacts



Material:

Insulator: PBT Thermoplastic, 30% Glass Filled self-extinguishing, UL94V-0
 Shell: Tin plated steel
 Contact Pin: Brass
 Contact Socket: Phosphor Bronze
 Contact Plating: Gold over Nickel
 Operating Temperature: -55°C~+125°C

Electrical:

Current Rating: 5.0A
 Insulation Resistance: 5,000MΩ Min.
 Dielectric Withstanding: 1,000V AC



NOTE: ABOVE LAYOUT MAY CONTAIN VARIANCES. FOR A DETAILED DRAWING PLEASE CALL 1-877-277-6266 OR GO TO WWW.ASSMANN.US

Unit: MM

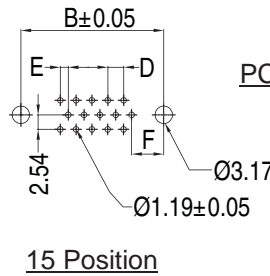
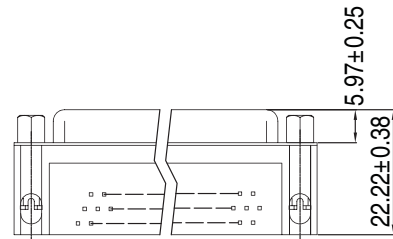
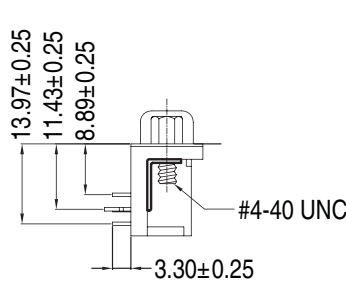
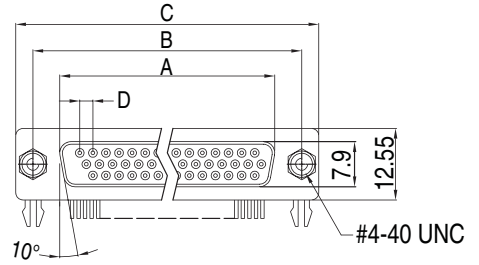
Assmann Part Number (Standard Stocking Item)	Contacts	Gender	Threaded Inserts	Hex Stand-Off	Type	Dim. A	Dim. B	Dim. C
ADF09A-KG-TAXB5-R	9	Female	Yes	No	Boardlocks	16.33	24.99	30.81
ADF15A-KG-TAXB5-R	15	Female	Yes	No	Boardlocks	24.66	33.32	39.14
ADF25A-KG-TAXB5-R	25	Female	Yes	No	Boardlocks	38.38	47.04	53.04
ADF37A-KG-TAXB5-R	37	Female	Yes	No	Boardlocks	54.84	63.50	69.32
ADS09A-KG-TAXB5-R	9	Male	Yes	No	Boardlocks	16.92	24.99	30.81
ADS15A-KG-TAXB5-R	15	Male	Yes	No	Boardlocks	25.31	33.32	39.14
ADS25A-KG-TAXB5-R	25	Male	Yes	No	Boardlocks	39.04	47.04	53.04
ADS37A-KG-TAXB5-R	37	Male	Yes	No	Boardlocks	55.46	63.50	69.32
ADF09A-KG-TASB5-R	9	Female	Yes	Yes	Boardlocks	16.33	24.99	30.81
ADF15A-KG-TASB5-R	15	Female	Yes	Yes	Boardlocks	24.66	33.32	39.14
ADF25A-KG-TASB5-R	25	Female	Yes	Yes	Boardlocks	38.38	47.04	53.04
ADF37A-KG-TASB5-R	37	Female	Yes	Yes	Boardlocks	54.84	63.50	69.32
ADS09A-KG-TASB5-R	9	Male	Yes	Yes	Boardlocks	16.33	24.99	30.81
ADS15A-KG-TASB5-R	15	Male	Yes	Yes	Boardlocks	24.66	33.32	39.14
ADS25A-KG-TASB5-R	25	Male	Yes	Yes	Boardlocks	38.38	47.04	53.04
ADS37A-KG-TASB5-R	37	Male	Yes	Yes	Boardlocks	54.84	63.50	69.32

USB & IEEE
 IDC & Flat Ribbon
 IC, PLCC, Pin & Jumpers
 DSub & Centronics
 Waterproof
 DVI & HDMI
 Modular
 Fiber-Optic
 Power Cords
 Wire to Board
 SATA & eSATA
 FFC/FFC
 MiniDIN & Audio
 KVM Cables

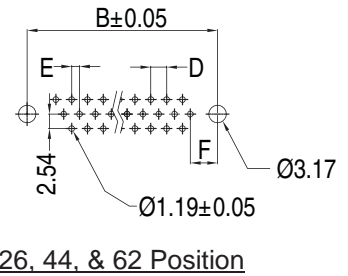


High Density DSub Connectors - Right Angle Shrouded, 15-62 contacts

- USB & IEEE
- IDC & Flat Ribbon
- IC, PLCC, Pin & Jumpers
- DSUB & Centronics
- Waterproof
- DVI & HDMI
- Modular
- Fiber-Optic
- Power Cords
- Wire to Board
- SATA & eSATA
- FFC/FFPC
- MiniDIN & Audio
- KVM Cables



PCB Layout



Material:

Insulator: PBT Thermoplastic, 30% Glass Filled self-extinguishing, UL94V-0
 Shell: Tin plated steel
 Contact Pin: Brass
 Contact Socket: Phosphor Bronze
 Contact Plating: Gold over Nickel
 Operating Temperature: -55°C~+125°C

Electrical:

Current Rating: 5.0A
 Insulation Resistance: 5,000MΩ Min.
 Dielectric Withstanding: 1,000V AC

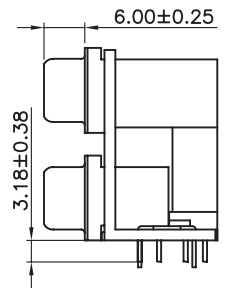
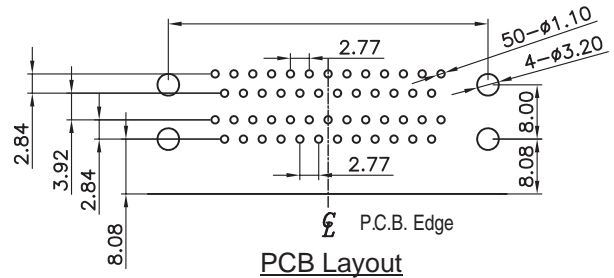
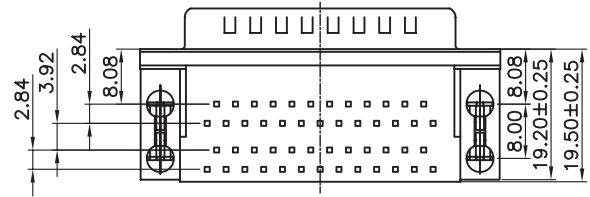
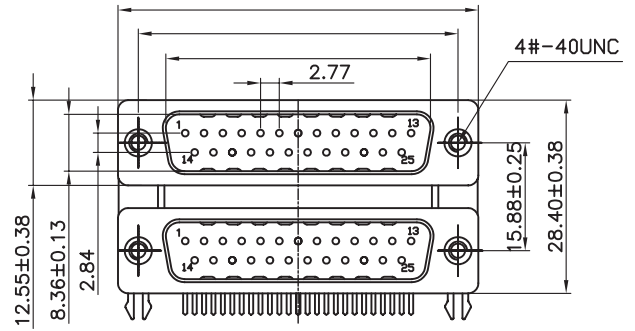


NOTE: ABOVE LAYOUT MAY CONTAIN VARIANCES. FOR A DETAILED DRAWING PLEASE CALL 1-877-277-6266 OR GO TO WWW.ASSMANN.US

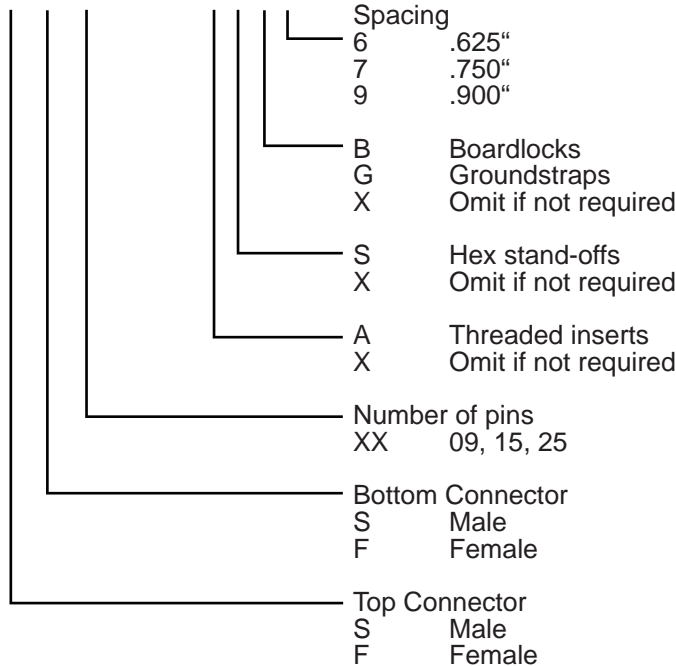
Unit: MM

Assmann Part Number (Standard Stocking Item)	Contacts	Gender	Threaded Inserts	Hex Stand-Off	Type	Dim. A	Dim. B	Dim. C	Dim. D	Dim. E	Dim. F
AHDF15A-KG-TAXB-R	15	Female	Yes	No	Boardlocks	16.33	24.99	30.81	2.29	1.145	7.04
AHDF26A-KG-TAXB-R	26	Female	Yes	No	Boardlocks	24.66	33.32	39.14	2.29	1.145	6.88
AHDF44A-KG-TAXB-R	44	Female	Yes	No	Boardlocks	38.38	47.04	53.04	2.29	1.145	6.88
AHDF62A-KG-TAXB-R	62	Female	Yes	No	Boardlocks	54.84	63.50	69.32	2.41	1.205	6.99
AHDS15A-KG-TAXB-R	15	Male	Yes	No	Boardlocks	16.92	24.99	30.81	2.29	1.145	7.04
AHDS26A-KG-TAXB-R	26	Male	Yes	No	Boardlocks	25.31	33.32	39.14	2.29	1.145	6.88
AHDS44A-KG-TAXB-R	44	Male	Yes	No	Boardlocks	39.04	47.04	53.04	2.29	1.145	6.88
AHDS62A-KG-TAXB-R	62	Male	Yes	No	Boardlocks	55.46	63.50	69.32	2.41	1.205	6.99
AHDF15A-KG-TASB-R	15	Female	Yes	Yes	Boardlocks	16.33	24.99	30.81	2.29	1.145	7.04
AHDF26A-KG-TASB-R	26	Female	Yes	Yes	Boardlocks	24.66	33.32	39.14	2.29	1.145	6.88
AHDF44A-KG-TASB-R	44	Female	Yes	Yes	Boardlocks	38.38	47.04	53.04	2.29	1.145	6.88
AHDF62A-KG-TASB-R	62	Female	Yes	Yes	Boardlocks	54.84	63.50	69.32	2.41	1.205	6.99
AHDS15A-KG-TASB-R	15	Male	Yes	Yes	Boardlocks	16.33	24.99	30.81	2.29	1.145	7.04
AHDS26A-KG-TASB-R	26	Male	Yes	Yes	Boardlocks	24.66	33.32	39.14	2.29	1.145	6.88
AHDS44A-KG-TASB-R	44	Male	Yes	Yes	Boardlocks	38.38	47.04	53.04	2.29	1.145	6.88
AHDS62A-KG-TASB-R	62	Male	Yes	Yes	Boardlocks	54.84	63.50	69.32	2.41	1.205	6.99

DSUB Dual Port Connectors - Right Angle Shrouded, 9-62 contacts



How to order
ADX-XXA-GTXXXX-R



Material:
 Insulator: PBT UL94V-0 Rated
 Shell: Cold Rolled Steel
 Contacts: Brass
 Contact Insertion Force: 341 g. Maximum
 Contact Separation Force: 21 g. Minimum
 Contact Finish: Gold flash selective gold
 Shell Finish: Tin plated
 Operating Temperature: -55°C to +105°C

Electrical:
 Contact Current Rating: 5.0A
 Insulation Resistance: 5,000MΩ Min.
 Dielectric Withstanding: 1,000V AC / 60sec. r.m.s.
 Contact Resistance: 25MΩ Max.



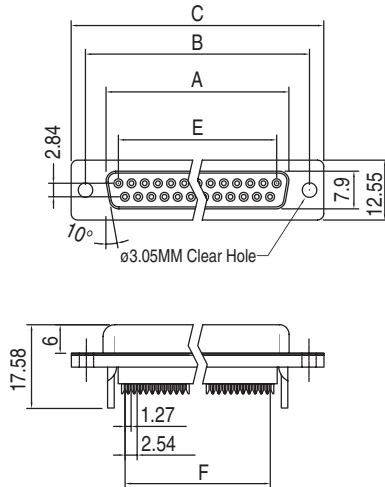
Unit: MM

NOTE: ABOVE LAYOUT MAY CONTAIN VARIANCES. FOR A DETAILED DRAWING PLEASE CALL 1-877-277-6266 OR GO TO WWW.ASSMANN.US

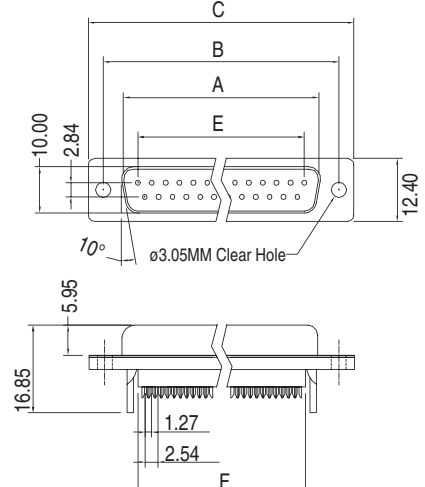
USB & IEEE
 IDC & Flat Ribbon
 IC, PLCC, Pin & Jumpers
 DSub & Centronics
 Waterproof
 DVI & HDMI
 Modular
 Fiber-Optic
 Power Cords
 Wire to Board
 SATA & eSATA
 FFC/FFC
 MiniDIN & Audio
 KVM Cables

DSUB Connectors - IDC Full Plastic Version, for flat ribbon cable, 9-37 contacts

USB & IEEE
IDC & Flat Ribbon
IC, PLCC, Pin & Jumpers



Female w/insulator Support



Male w/insulator Support

Material:
Insulator: Glass-Filled Thermoplastic PBT, UL94V-0
Contact: Copper Alloy
Shell: SPCC

Electrical:
Contact Resistance: 20mΩ Max. at 1.0 Amp DC
Insulation Resistance: 1,000mΩ at 500V DC
Dielectric Withstanding Voltage: 1,000V AC/rms 60Hz for 1 minute
Current Rating: 1.0A Female/3.0A Male
Voltage Rating: 250V AC/rms 60Hz



*Includes Cover & Strain Relief

Unit: MM

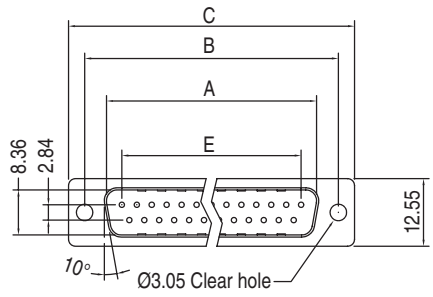
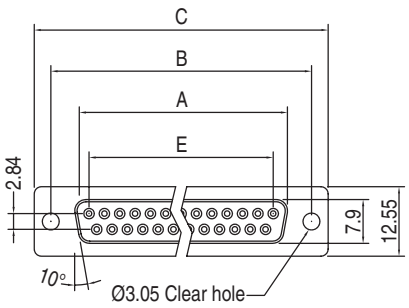
NOTE: ABOVE LAYOUT MAY CONTAIN VARIANCES. FOR A DETAILED DRAWING PLEASE CALL 1-877-277-6266 OR GO TO WWW.ASSMANN.US

Assmann Part Number (Standard Stocking Item)	Contacts	Gender	Dim. A	Dim. B	Dim. C	Dim. E	Dim. F	Assmann Part Number (Standard Stocking Item)	Contacts	Gender	Dim. A	Dim. B	Dim. C	Dim. E	Dim. F
A-DFF09LP111/FP-R	9	Female	16.33	24.99	30.81	11.08	10.16	A-DSF09LP111/FP-R	9	Male	18.05	25.00	30.50	11.08	13.10
A-DFF15LP111/FP-R	15	Female	24.66	33.32	39.14	19.39	17.78	A-DSF15LP111/FP-R	15	Male	26.35	33.32	39.00	19.39	20.70
A-DFF25LP111/FP-R	25	Female	38.38	47.04	53.04	33.24	30.48	A-DSF25LP111/FP-R	25	Male	40.95	47.04	53.08	33.24	33.68
A-DFF37LP111/FP-R	37	Female	54.84	63.50	69.32	49.86	45.72	A-DSF37LP111/FP-R	37	Male	55.60	63.50	69.25	49.86	50.30

DSUB & Centronics
Waterproof
DVI & HDMI

DSUB Connectors - IDC, for flat ribbon cable, 9-37 contacts

Fiber-Optic
Power Cords
Wire to Board



Material:
Insulator: Glass-Filled Thermoplastic PBT, UL94V-0
Contact: Copper Alloy
Shell: SPCC

Electrical:
Contact Resistance: 20mΩ Max. at 1.0 Amp DC
Insulation Resistance: 1,000mΩ at 500V DC
Dielectric Withstanding Voltage: 1,000V AC/rms 60Hz for 1 minute
Current Rating: 1.0A Female/3.0A Male
Voltage Rating: 250V AC/rms 60Hz



*Includes Cover & Strain Relief

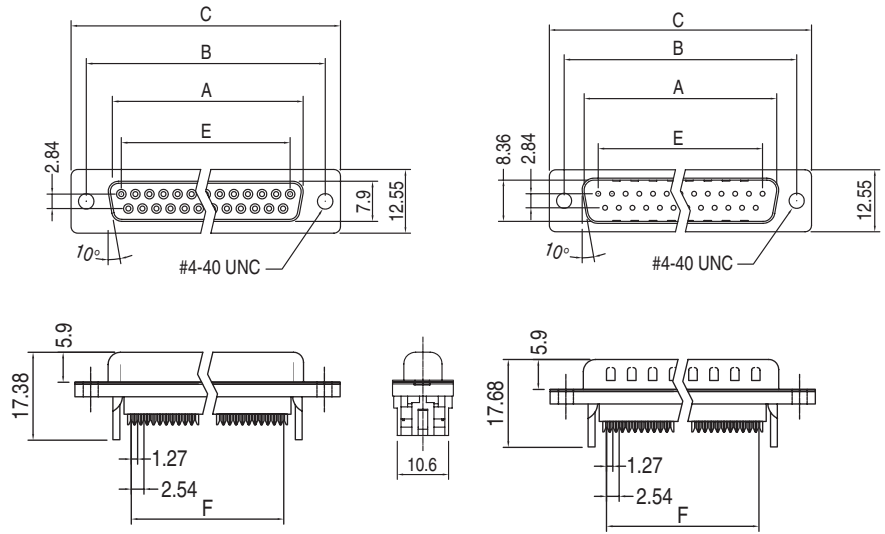
Unit: MM

NOTE: ABOVE LAYOUT MAY CONTAIN VARIANCES. FOR A DETAILED DRAWING PLEASE CALL 1-877-277-6266 OR GO TO WWW.ASSMANN.US

Assmann Part Number (Standard Stocking Item)	Contacts	Gender	Dim. A	Dim. B	Dim. C	Dim. E	Dim. F	Assmann Part Number (Standard Stocking Item)	Contacts	Gender	Dim. A	Dim. B	Dim. C	Dim. E	Dim. F
A-DFF09LPXX-III-R	9	Female	16.33	24.99	30.81	11.08	10.16	A-DSF09LPXX-III-R	9	Male	16.92	24.99	30.81	11.08	10.16
A-DFF15LPXX-III-R	15	Female	24.66	33.32	39.14	19.39	17.78	A-DSF15LPXX-III-R	15	Male	25.25	33.30	39.20	19.39	17.78
A-DFF25LPXX-III-R	25	Female	38.38	47.04	53.04	33.24	30.48	A-DSF25LPXX-III-R	25	Male	38.96	47.04	53.04	33.24	30.48
A-DFF37LPXX-III-R	37	Female	54.84	63.50	69.32	49.86	45.72	A-DSF37LPXX-III-R	37	Male	55.42	63.50	69.40	49.86	45.72

SATA & eSATA
FFC/FFPC
MiniDIN & Audio
KVM Cables

DSUB Connectors - IDC w/UNC4-40 thread, for flat ribbon cable, 9-37 contacts



Material:

Insulator: Glass-Filled Thermoplastic PBT, UL94V-0
 Contact: Copper Alloy
 Shell: SPCC

Electrical:

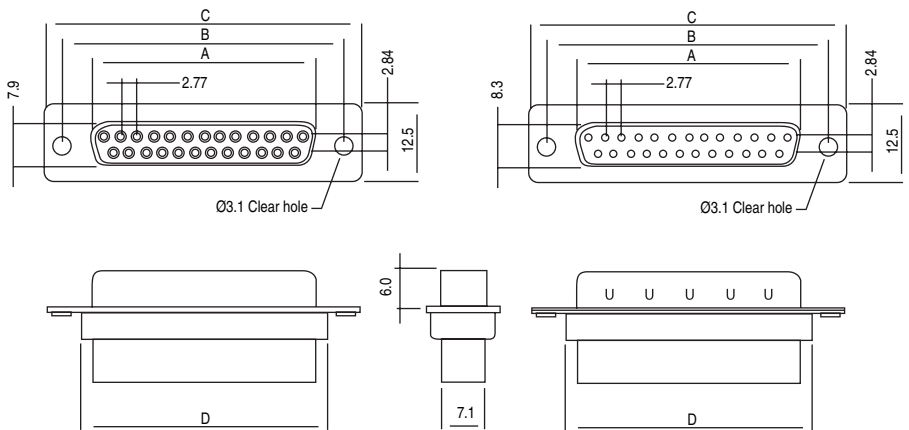
Contact Resistance: 20mΩ Max. at 1.0 Amp DC
 Insulation Resistance: 1,000mΩ at 500V DC
 Dielectric Withstanding Voltage: 1,000V AC/rms 60Hz for 1 minute
 Current Rating: 1.0A Female/3.0A Male
 Voltage Rating: 250V AC/rms 60Hz



NOTE: ABOVE LAYOUT MAY CONTAIN VARIANCES. FOR A DETAILED DRAWING PLEASE CALL 1-877-277-6266 OR GO TO WWW.ASSMANN.US

Assmann Part Number (Standard Stocking Item)	Contacts	Gender	Dim. A	Dim. B	Dim. C	Dim. E	Dim. F	Assmann Part Number (Standard Stocking Item)	Contacts	Gender	Dim. A	Dim. B	Dim. C	Dim. E	Dim. F
A-DFF09LP111/Z-UNC-R	9	Female	16.33	24.99	30.81	11.08	10.16	A-DSF09LP111/Z-UNC-R	9	Male	16.92	24.99	30.81	11.08	10.16
A-DFF15LP111/Z-UNC-R	15	Female	24.66	33.32	39.14	19.39	17.78	A-DSF15LP111/Z-UNC-R	15	Male	25.25	33.30	39.20	19.39	17.78
A-DFF25LP111/Z-UNC-R	25	Female	38.38	47.04	53.04	33.24	30.48	A-DSF25LP111/Z-UNC-R	25	Male	38.96	47.04	53.04	33.24	30.48
A-DFF37LP111/Z-UNC-R	37	Female	54.84	63.50	69.32	49.86	45.72	A-DSF37LP111/Z-UNC-R	37	Male	55.42	63.50	69.40	49.86	45.72

DSUB Connectors - Housing for Crimp-Contacts, 9-37 contacts



Material:

Insulator: PBT, UL94V-0
 Shell: Steel
 Operating Temperature: -55°C--+105°C

Electrical:

Current Rating: 3.0A



NOTE: ABOVE LAYOUT MAY CONTAIN VARIANCES. FOR A DETAILED DRAWING PLEASE CALL 1-877-277-6266 OR GO TO WWW.ASSMANN.US

Assmann Part Number (Standard Stocking Item)	Contacts	Gender	Dim. A	Dim. B	Dim. C	Dim. D	Assmann Part Number (Standard Stocking Item)	Contacts	Gender	Dim. A	Dim. B	Dim. C	Dim. D
A-DFCR-09-FZ-R	9	Female	16.30	25.00	30.80	19.20	A-DSCR-09-FZ-R	9	Male	16.92	25.00	30.80	19.20
A-DFCR-15-FZ-R	15	Female	24.60	33.30	39.20	27.70	A-DSCR-15-FZ-R	15	Male	25.25	33.30	39.20	27.70
A-DFCR-25-FZ-R	25	Female	38.30	47.10	53.10	41.10	A-DSCR-25-FZ-R	25	Male	38.96	47.10	53.10	41.10
A-DFCR-37-FZ-R	37	Female	54.80	63.50	69.40	57.30	A-DSCR-37-FZ-R	37	Male	55.42	63.50	69.40	57.30

USB & IEEE
 IDC & Flat Ribbon
 IC, PLCC, Pin & Jumpers
 DSub & Centronics
 Waterproof
 DVI & HDMI
 Modular
 Fiber-Optic
 Power Cords
 Wire to Board
 SATA & eSATA
 FFC/FFC
 MiniDIN & Audio
 KVM Cables



USB & IEEE
IDC &
Flat Ribbon
IC, PLOC, Pin
& Jumpers
DSUB &
Centronics

Null-Modem Adapter,

9-pin Male to 9-pin Female
25-pin Male to 25-pin Female



RS 232 Adapter,

9-pin Male to 25-pin Male
9-pin Female to 25-pin Female
9-pin Male to 25-pin Female
9-pin Female to 25-pin Male



**High Density
DSub Gender Changer,**

15-pin Male to 15-pin Male
15-pin Female to 15-pin Female



Material:

Pin Assignment: 1-1, 2-3, 3-2, 4, 5-8, 6-20, 7-7, 8-4, 5, 20-6, G-G
Metal Version
Hex Screws



Material:

Pin Assignment: 1-8, 2-3, 3-2, 4-20, 5-7, 6-6, 7-4, 8-5, 9-22, G-G
Metal Version
9-pin with Hex Screws | 25-pin with Head/Thumb screws



Material:

Pin Assignment: 1:1
Metal Version
Hex Screws



Assmann Part Number (Standard Stocking Item)	Type	Assmann Part Number (Standard Stocking Item)	Type	Assmann Part Number (Standard Stocking Item)	Type
AB-NM9-R	9p-M/9p-F	AB467-R	9p-M/25p-M	AB418-R	15p-M/15p-M
AB-NM25-R	25p-M/25p-F	AB468-R	9p-M/25p-F	AB420-R	15p-F/15p-F
		AB469-R	9p-F/25p-F		
		AB470-R	9p-F/25p-M		

Waterproof
DVI & HDMI

Modular

**DSub Gender Changer
9-pin,**

9-pin Male to 9-pin Male
9-pin Female to 9-pin Female



**DSub Gender Changer
15-pin,**

15-pin Male to 15-pin Male
15-pin Female to 15-pin Female



**DSub Gender Changer
25-pin,**

25-pin Male to 25-pin Male
25-pin Female to 25-pin Female



Fiber-Optic

Power Cords

Wire to Board

SATA &
eSATA

FFC/FPC

MiniDIN &
Audio

Material:

Pin Assignment: 1:1
Metal Version
Hex Screws



Material:

Pin Assignment: 1:1
Metal Version
Hex Screws



Material:

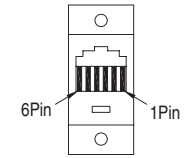
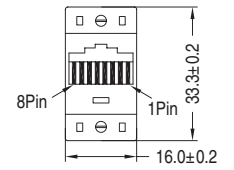
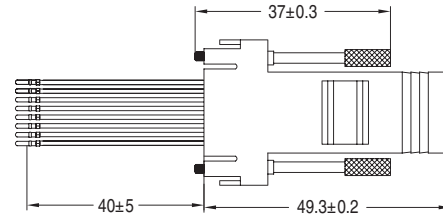
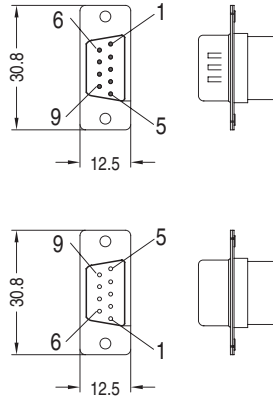
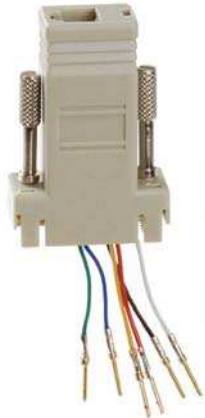
Pin Assignment: 1:1
Metal Version
Hex Screws



Assmann Part Number (Standard Stocking Item)	Type	Assmann Part Number (Standard Stocking Item)	Type	Assmann Part Number (Standard Stocking Item)	Type
AB410-R	9p-M/9p-M	AB412-R	15p-M/15p-M	AB414-R	25p-M/25p-M
AB411-R	9p-F/9p-F	AB413-R	15p-F/15p-F	AB415-R	25p-F/25p-F

KVM Cables

DSUB to Ethernet Modular Adapter - 9-pin, Full Plastic version



Material:

Cable: UL 26AWG, 60MM
 D-Sub Crimp type/Black insulation
 RJ12 6P6C/RJ45 8P8C: 3µ"
 PVC Housing
 Color: Beige
 Thumbscrew: 37MM

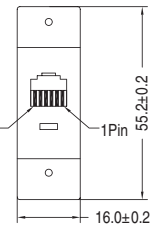
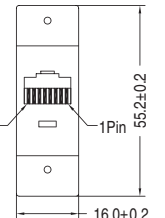
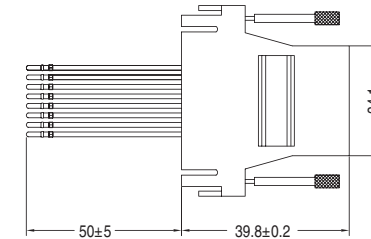
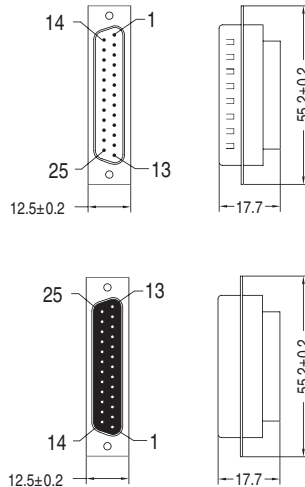
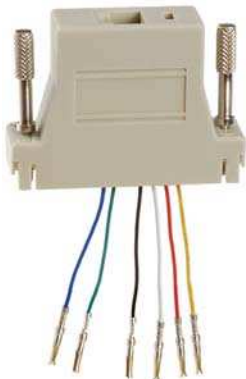


NOTE: ABOVE LAYOUT MAY CONTAIN VARIANCES. FOR A DETAILED DRAWING PLEASE CALL 1-877-277-6266 OR GO TO WWW.ASSMANN.US

Unit: MM

Assmann Part Number (Standard Stocking Item)	Contacts	DSub Gender	RJ Type
AT-23064-R	9	Male	RJ12
AT-23065-R	9	Female	RJ12
AT-23066-R	9	Male	RJ45
AT-23067-R	9	Female	RJ45

DSUB to Ethernet Modular Adapter - 25-pin, Full Plastic version



Material:

Cable: UL 26AWG, 60MM
 D-Sub Crimp type/Black insulation
 RJ12 6P6C/RJ45 8P8C: 3µ"
 PVC Housing
 Color: Beige
 Thumbscrew: 37MM



NOTE: ABOVE LAYOUT MAY CONTAIN VARIANCES. FOR A DETAILED DRAWING PLEASE CALL 1-877-277-6266 OR GO TO WWW.ASSMANN.US

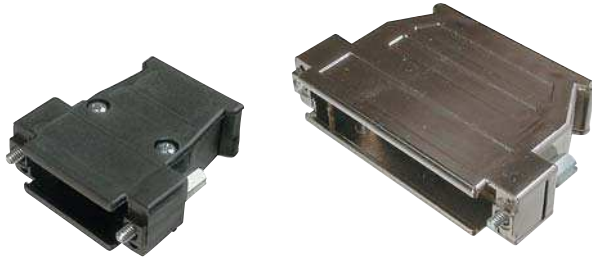
Unit: MM

Assmann Part Number (Standard Stocking Item)	Contacts	DSub Gender	RJ Type
AT-23052-R	9	Male	RJ12
AT-23053-R	9	Female	RJ12
AT-23054-R	9	Male	RJ45
AT-23055-R	9	Female	RJ45

USB & IEEE
 IDC & Flat Ribbon
 IC, PLCC, Pin & Jumpers
 DSub & Centronics
 Waterproof
 DVI & HDMI
 Modular
 Fiber-Optic
 Power Cords
 Wire to Board
 SATA & eSATA
 FFC/FFC
 MiniDIN & Audio
 KVM Cables

DSub Hoods - Universal, Plastic and Metal Type, 9-37 contacts

USB & IEEE
IDC &
Flat Ribbon
IC, PLCC, Pin
& Jumpers

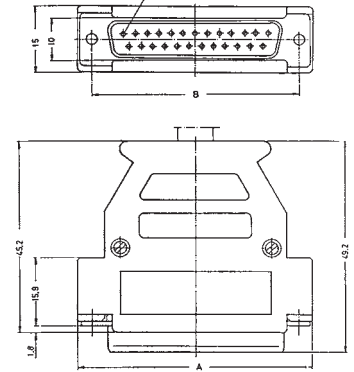
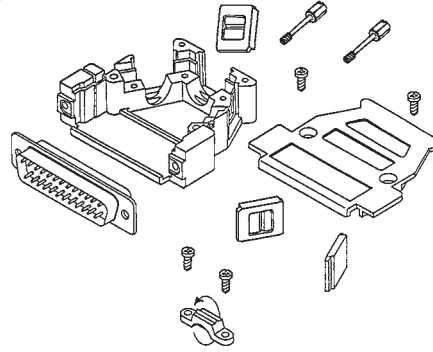


Material:

Universal cover in black plastic (Polycarbonate) or metal type. Strain relief can be adjusted to support different cable diameters. Side entry (45°) and straight cable exit (180°) by use of dummy pegs (not available with 9 contact)

Included items:

- 1 Hood with cover
- 1 or 2 Blanking plugs
- 2 Knurled screws
- 4 screws
- 1 Strain relief



Unit: MM

NOTE: ABOVE LAYOUT MAY CONTAIN VARIANCES. FOR A DETAILED DRAWING PLEASE CALL 1-877-277-6266 OR GO TO WWW.ASSMANN.US

Assmann Part Number (Standard Stocking Item)	Contacts	Type	Dimension A	Dimension B	Assmann Part Number (Standard Stocking Item)	Contacts	Type	Dimension A	Dimension B
AGAL09GP-N-R	9	Plastic	31.0	25.0	AGAL09GP-ME-R	9	Metal	31.0	25.0
AGAL15GP-N-R	15	Plastic	40.0	33.3	AGAL15GP-ME-R	15	Metal	40.0	33.3
AGAL25GP-N-R	25	Plastic	53.5	47.0	AGAL25GP-ME-R	25	Metal	53.5	47.0
AGAL37GP-N-R	37	Plastic	70.0	64.0	AGAL37GP-ME-R	37	Metal	70.0	64.0

Waterproof
DVI & HDMI
Modular

DSub Hoods - Snap-In Lock, Plastic Type, 9-37 contacts

Fiber-Optic
Power Cords
Wire to Board
SATA & eSATA

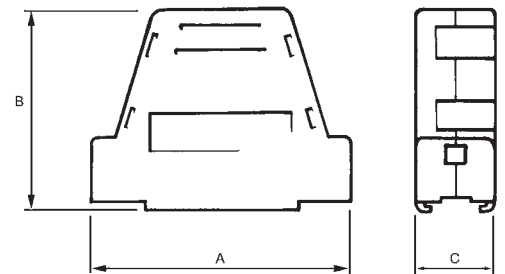
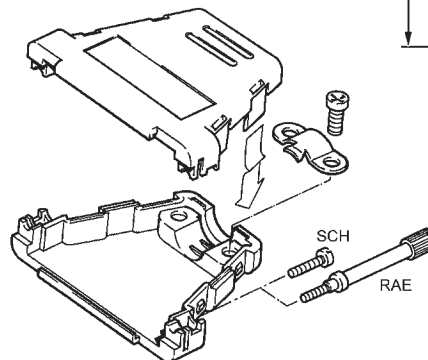


Material:

Two-piece cover in plastic (Polyamid). Straight cable exit. Quick assembly due to snap-in lock. Optional with short attachment screws or knurled screws.

Included items:

- 2 Half shells
- 2 Slotted screws or Knurled screws
- 4 screws
- 2 Nuts
- 1 Strain relief



Unit: MM

NOTE: ABOVE LAYOUT MAY CONTAIN VARIANCES. FOR A DETAILED DRAWING PLEASE CALL 1-877-277-6266 OR GO TO WWW.ASSMANN.US

Assmann Part Number (Standard Stocking Item)	Contacts	Screw Type	Dimension A	Dimension B	Dimension C	Assmann Part Number (Standard Stocking Item)	Contacts	Screw Type	Dimension A	Dimension B	Dimension C
ADT09RAE-R	9	Knurled	31.0	32.0	15.0	ADT09SCH-R	9	Slotted	31.0	32.0	15.0
ADT15RAE-R	15	Knurled	39.5	36.0	15.0	ADT15SCH-R	15	Slotted	39.5	36.0	15.0
ADT25RAE-R	25	Knurled	53.0	40.5	15.0	ADT25SCH-R	37	Slotted	53.0	40.5	15.0

MiniDIN & Audio
KVM Cables

DSUB Hoods - Quick Lock, Plastic Type, 9-50 contacts

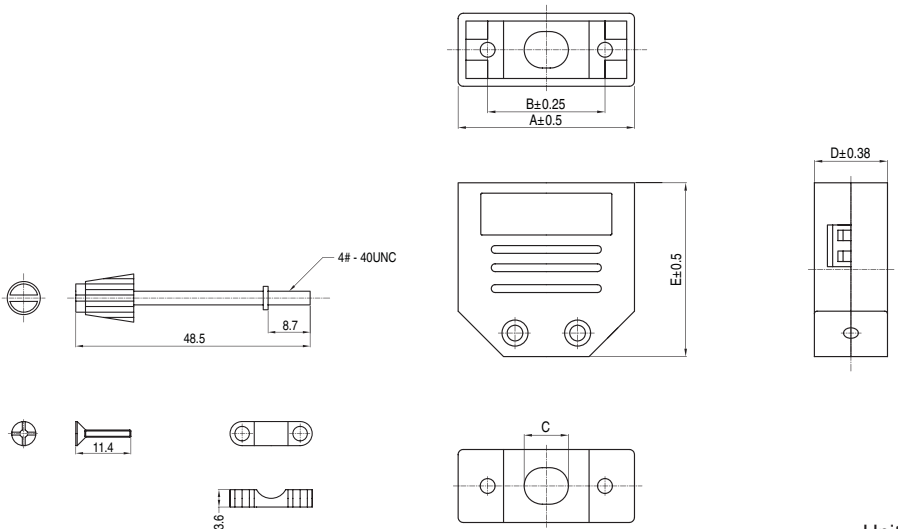


Material:

This plastic (Polyamid) hood consists of two hinged shells that form a quick-lock. No additional screws are required. The strain relief which has to be fixed externally is supplied together with the hood.

Included items:

- 1 Quick-lock hood
- 2 Knurled screws
- 2 screws
- 1 Strain relief



NOTE: ABOVE LAYOUT MAY CONTAIN VARIANCES. FOR A DETAILED DRAWING PLEASE CALL 1-877-277-6266 OR GO TO WWW.ASSMANN.US

Unit: MM

Assmann Part Number (Standard Stocking Item)	Contacts	Dim. A	Dim. B	Dim. C	Dim. D	Dim. E
A-FT09-R	9	34.2	25.0	8.5	14.1	50.0
A-FT15-R	15	41.5	33.3	11.4	17.6	48.5
A-FT25-R	25	55.0	47.0	11.7	16.6	48.5
A-FT37-R	37	72.1	63.5	11.4	17.1	49.9
A-FT50-R	50	69.5	61.1	12.2	20.0	48.5

DSUB Hoods - Post Hood, Plastic Type, 9-37 contacts

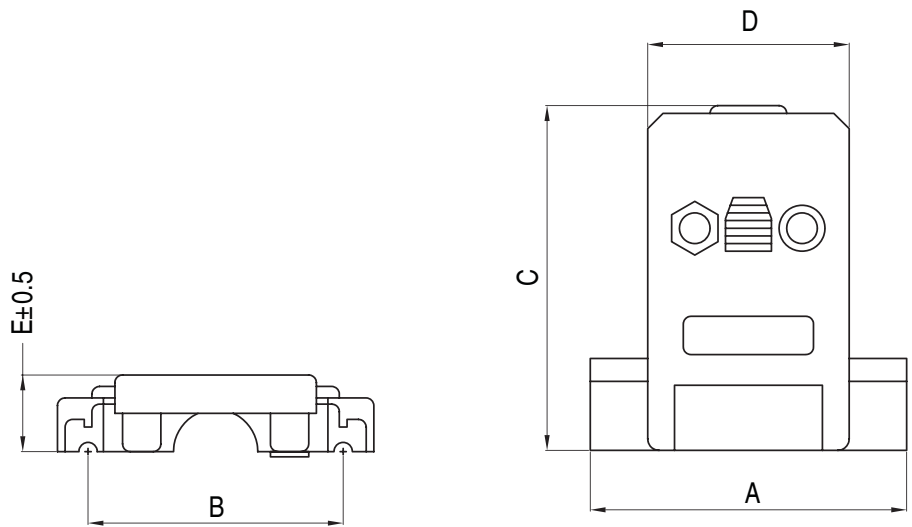


Material:

This plastic hood (Polycarbonate) consists of two pieces with straight cable exit. The strain relief is inside. After assembly the screws are secured.

Included items:

- 2 Half shells
- 2 Fixing screws
- 4 Screws
- 2 Strain reliefs
- 2 Nuts



NOTE: ABOVE LAYOUT MAY CONTAIN VARIANCES. FOR A DETAILED DRAWING PLEASE CALL 1-877-277-6266 OR GO TO WWW.ASSMANN.US

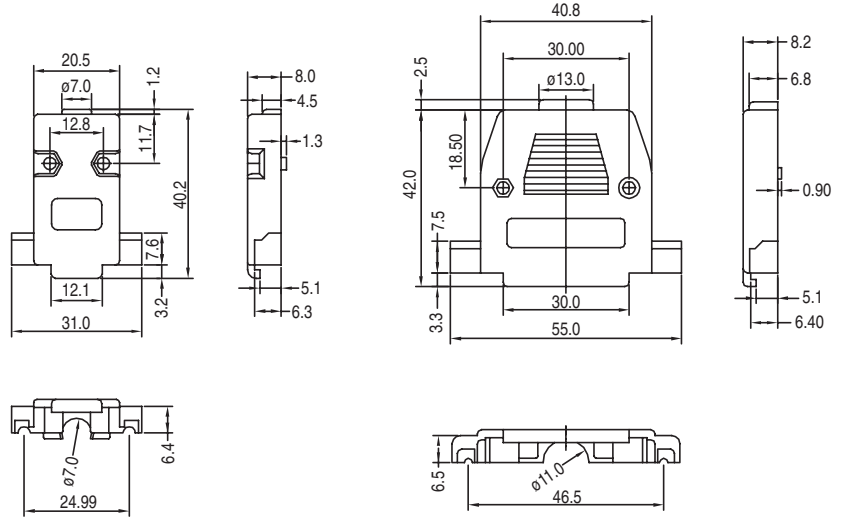
Unit: MM

Assmann Part Number (Standard Stocking Item)	Contacts	Dim. A	Dim. B	Dim. C	Dim. D	Dim. E
AGP09G-R	9	33.0	25.0	45.0	18.0	20.0
AGP15G-R	15	41.3	33.3	45.0	26.3	20.0
AGP25G-R	25	55.0	47.0	45.0	40.0	20.0
AGP37G-R	37	72.5	63.5	45.0	56.5	20.0

USB & IEEE
IDC & Flat Ribbon
IC, PLCC, Pin & Jumpers
DSub & Centronics
Waterproof
DVI & HDMI
Modular
Fiber-Optic
Power Cords
Wire to Board
SATA & eSATA
FFC/FFC
MiniDIN & Audio
KVM Cables

DSUB Hoods - Side Cable Exit, Plastic and Metal Type, 9 & 25 contacts

USB & IEEE
IDC & Flat Ribbon
IC, PLCC, Pin & Jumpers
DSUB & Centronics
Waterproof
DVI & HDMI
Modular
Fiber-Optic
Power Cords
Wire to Board
SATA & eSATA



9 CONTACT

25 CONTACT

Material:
This DSub hood is available in 9 and 25 poles. Available in grey plastic (ABS) or metal type. Short knurled screws are provided.

- Included items:**
- 2 Half-shells
 - 2 Knurled screws
 - 4 screws
 - 2 Strain reliefs
 - 2 Nuts



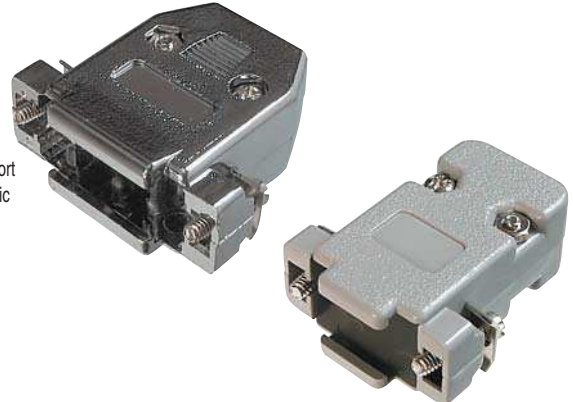
NOTE: ABOVE LAYOUT MAY CONTAIN VARIANCES. FOR A DETAILED DRAWING PLEASE CALL 1-877-277-6266 OR GO TO WWW.ASSMANN.US

Unit: MM

Assmann Part Number (Standard Stocking Item)	Contacts	Type	Assmann Part Number (Standard Stocking Item)	Contacts	Type
AGP09S-R	9	Plastic	AGP09S-ME-R	9	Metal
AGP25S-R	25	Plastic	AGP25S-ME-R	25	Metal

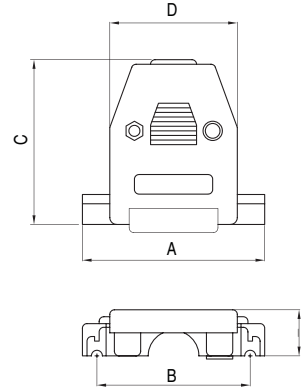
DSUB Hoods - Straight Cable Exit, Top entry, Plastic and Metal Type, 9-37 contacts

Modular
Fiber-Optic
Power Cords
Wire to Board
SATA & eSATA
FFC/FFPC
MiniDIN & Audio
KVM Cables



Material:
This hood is supplied with straight cable exit and short slotted-head screws. Available in grey or black plastic (Polycarbonate) and metal type.

- Included items:**
- 2 Half shells
 - 2 fixing screws
 - 4 screws
 - 2 Strain relief
 - 2 Nuts
 - 2 Claws

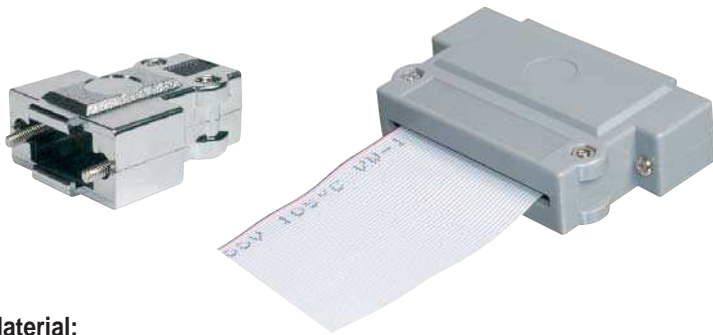


Unit: MM

NOTE: ABOVE LAYOUT MAY CONTAIN VARIANCES. FOR A DETAILED DRAWING PLEASE CALL 1-877-277-6266 OR GO TO WWW.ASSMANN.US

Assmann Part Number (Standard Stocking Item)	Contacts	Type	Dim. A	Dim. B	Dim. C	Dim. D	Assmann Part Number (Standard Stocking Item)	Contacts	Type	Dim. A	Dim. B	Dim. C	Dim. D
AGP09G-NEW-R	9	Plastic, Black	31.0	25.0	40.2	20.5	AGP09G-ME-R	9	Metal	31.0	25.0	40.2	20.5
AGP15G-NEW-R	15	Plastic, Black	39.6	33.4	35.8	27.7	AGP15G-ME-R	15	Metal	39.6	33.4	35.8	27.7
AGP25G-NEW-R	25	Plastic, Black	55.0	46.5	42.0	40.8	AGP25G-ME-R	25	Metal	55.0	46.5	42.0	40.8
AGP37G-NEW-R	37	Plastic, Black	69.3	63.5	50.9	57.8	AGP37G-ME-R	37	Metal	69.3	63.5	50.9	57.8
AGP09G-NEW/GR-R	9	Plastic, Grey	31.0	25.0	40.2	20.5							
AGP15G-NEW/GR-R	15	Plastic, Grey	39.6	33.4	35.8	27.7							
AGP25G-NEW/GR-R	25	Plastic, Grey	55.0	46.5	42.0	40.8							
AGP37G-NEW/GR-R	37	Plastic, Grey	69.3	63.5	50.9	57.8							

DSUB Hoods - IDC, for flat ribbon cable, Plastic and Metal Type, 9-37 contacts

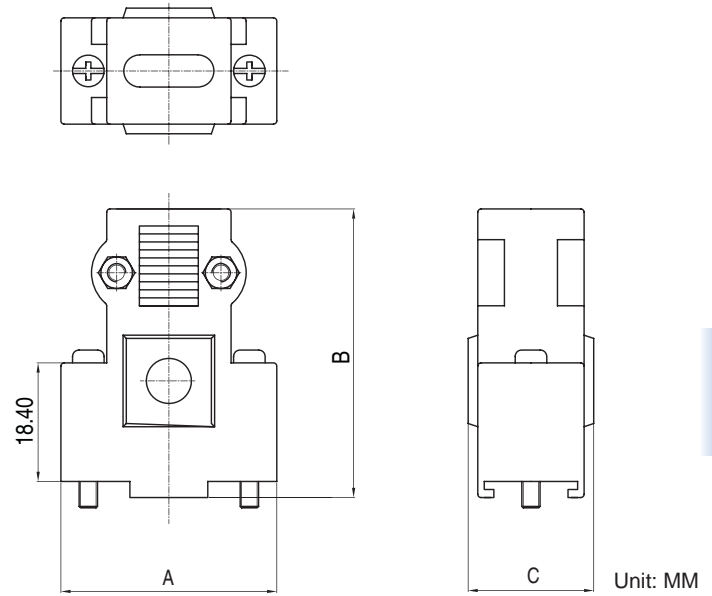


Material:

These DSub hoods are designed for use with flat cable IDC DSub-miniature connectors. They are available straight exit and are in grey plastic (Polycarbonate) and metal type. They are in two piece design and come with standard slotted-head screws.

Included items:

- 2 Half-shells
- 2 Fixing screws
- 2 Screws
- 2 Nuts



NOTE: ABOVE LAYOUT MAY CONTAIN VARIANCES. FOR A DETAILED DRAWING PLEASE CALL 1-877-277-6266 OR GO TO WWW.ASSMANN.US

Assmann Part Number (Standard Stocking Item)	Contacts	Type	Dimension A	Dimension B	Dimension C	Assmann Part Number (Standard Stocking Item)	Contacts	Type	Dimension A	Dimension B	Dimension C
AGP-09/IDC-R	9	Plastic	33.5	44.8	19.5	AGP-09/IDCME-R	9	Metal	33.5	44.8	19.5
AGP-15/IDC-R	15	Plastic	41.2	44.8	19.5	AGP-15/IDCME-R	15	Metal	41.2	44.8	19.5
AGP-25/IDC-R	25	Plastic	54.5	44.8	19.5	AGP-25/IDCME-R	25	Metal	54.5	44.8	19.5
AGP-37/IDC-R	37	Plastic	71.5	44.8	19.5	AGP-37/IDCME-R	37	Metal	71.5	44.8	19.5

DSUB Hoods - Die-Cast, Metal Type, 9-37 contacts

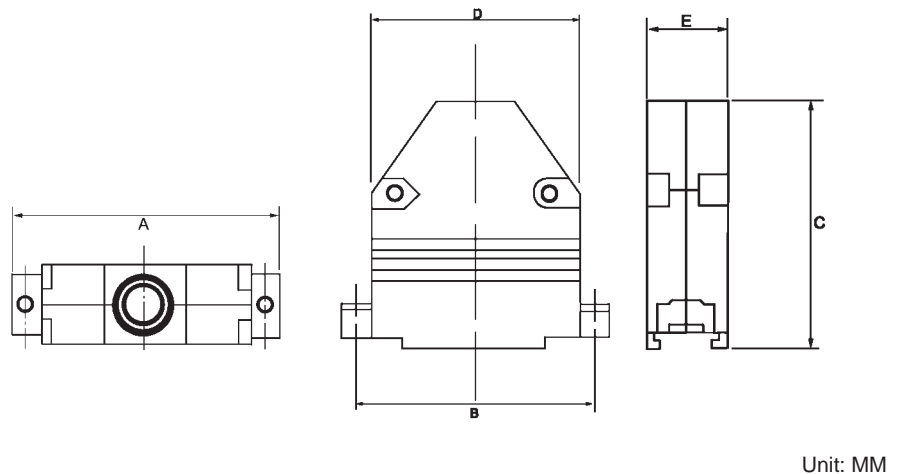


Material:

These two-piece die-cast hoods are available with straight cable exit and short screws. These hoods are low cost and easy to assemble.

Included items:

- 2 Half shells
- 2 Fixing screws
- 4 Screws
- 2 Strain reliefs
- 2 Nuts
- 2 Claws



NOTE: ABOVE LAYOUT MAY CONTAIN VARIANCES. FOR A DETAILED DRAWING PLEASE CALL 1-877-277-6266 OR GO TO WWW.ASSMANN.US

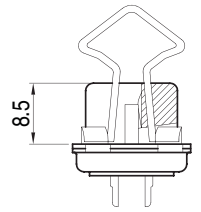
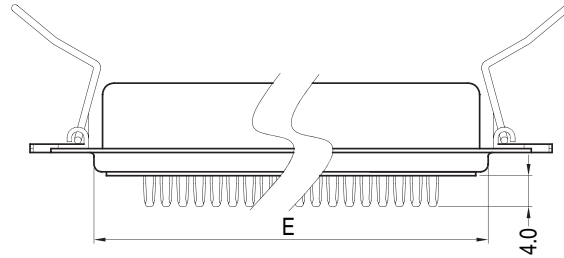
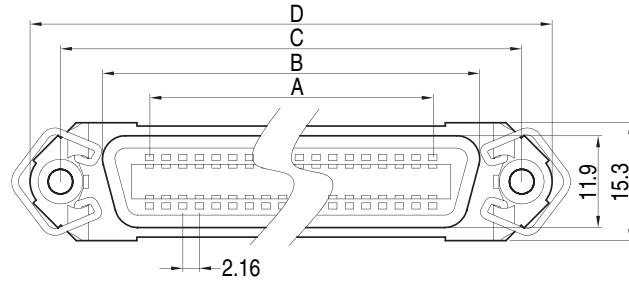
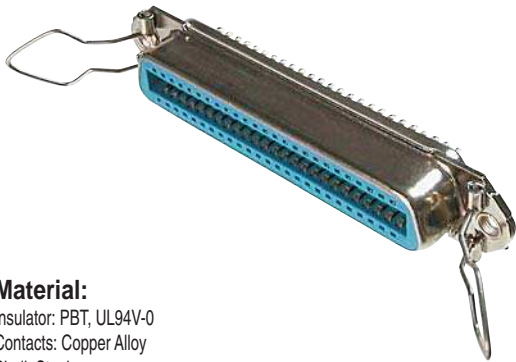
Assmann Part Number (Standard Stocking Item)	Contacts	Type	Dim. A	Dim. B	Dim. C	Dim. D	Dim. E
AGP09G-METAL-R	9	Metal	31.4	25.0	48.2	19.8	12.3
AGP15G-METAL-R	15	Metal	40.1	33.3	48.3	27.5	15.9
AGP25G-METAL-R	25	Metal	53.4	47.0	48.5	41.5	15.7
AGP37G-METAL-R	37	Metal	69.2	63.5	48.6	57.2	20.8

USB & IEEE
IDC & Flat Ribbon
IC, PLCC, Pin & Jumpers
DSUB & Centronics
Waterproof
DVI & HDMI
Modular
Fiber-Optic
Power Cords
Wire to Board
SATA & eSATA
FFC/FFC
MiniDIN & Audio
KVM Cables



Centronics Connectors - Solder Cup, 14-50 contacts

USB & IEEE
IDC &
Flat Ribbon
IC, PLCC, Pin
& Jumpers



Material:

Insulator: PBT, UL94V-0
Contacts: Copper Alloy
Shell: Steel
Contact Plating Underplate: 40µm Nickel
Solder Tails area: 100µm Tin/Lead
Shell plating: Nickel over Copper Alloy
Operating Temperature: -5°C ~ +105°C

Electrical:

Operation Voltage: 250V AC



NOTE: ABOVE LAYOUT MAY CONTAIN VARIANCES. FOR A DETAILED DRAWING PLEASE CALL 1-877-277-6266 OR GO TO WWW.ASSMANN.US

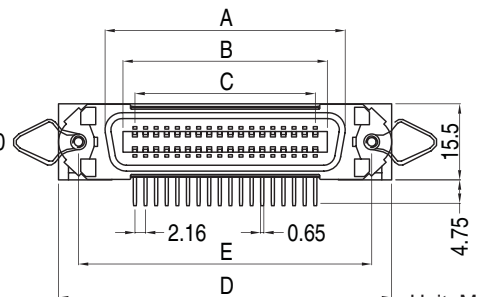
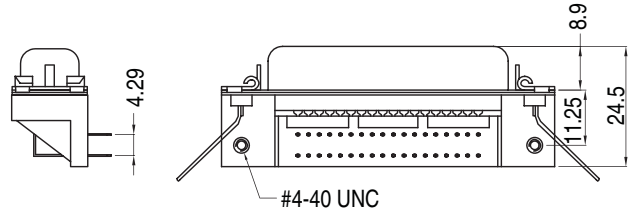
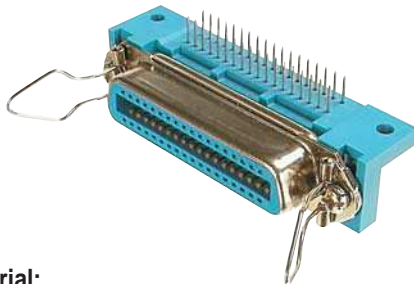
Unit: MM

Assmann Part Number (Standard Stocking Item)	Contacts	Gender	Dim. A	Dim. B	Dim. C	Dim. D	Dim. E
A-57/14-F-R	14	Female	12.96	25.20	36.00	43.90	22.70
A-57/24-F-R	24	Female	23.76	36.00	46.80	54.70	33.50
A-57/36-F-R	36	Female	36.72	48.90	59.70	67.70	46.60
A-57/50-F-R	50	Female	51.84	64.10	74.90	82.80	61.90

DSUB &
Centronics
Waterproof
DVI & HDMI
Modular

Centronics Connectors - Right Angle Shrouded, for PCB Mount, 14-50 contacts

Fiber-Optic
Power Cords
Wire to Board
SATA &
eSATA



Material:

Insulator: Glass-Filled Thermoplastic PBT, UL94V-0, Blue
Contacts: Copper Alloy
Shell: Steel, 100µm Tin over 50µm min Nickel
Rivet, Boardlock: Brass, 100µm min Nickel plated
Operating Temperature: -55°C ~ +105°C

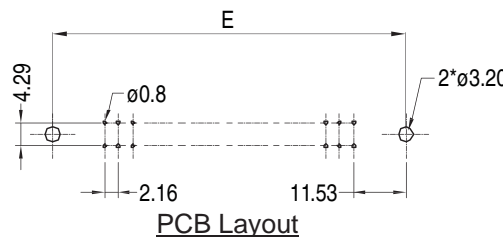
Electrical:

Contact Resistance: 20mΩ Max @3.0A DC
Insulation Resistance: 1,000 MΩ @500V DC
Dielectric Withstanding Voltage: 1,000V AC/rms 60Hz for 1 minute
Current Rating: 5.0 Amp
Voltage Rating: 250V AC/rms 60Hz



NOTE: ABOVE LAYOUT MAY CONTAIN VARIANCES. FOR A DETAILED DRAWING PLEASE CALL 1-877-277-6266 OR GO TO WWW.ASSMANN.US

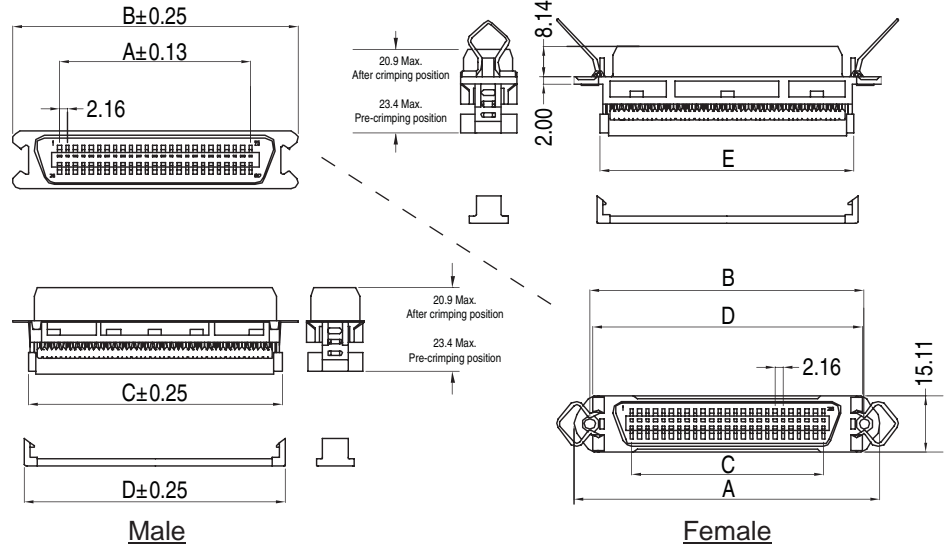
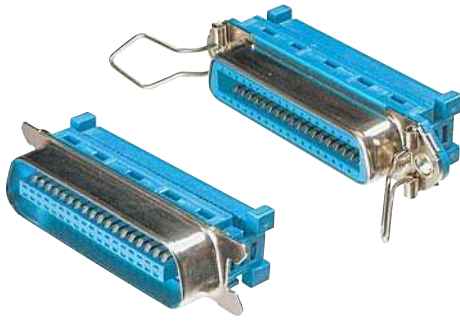
Unit: MM



Assmann Part Number (Standard Stocking Item)	Contacts	Gender	Dim. A	Dim. B	Dim. C	Dim. D
A-57/14-F-R	14	Female	12.96	25.20	36.00	43.90
A-57/24-F-R	24	Female	23.76	36.00	46.80	54.70
A-57/36-F-R	36	Female	36.72	48.90	59.70	67.70
A-57/50-F-R	50	Female	51.84	64.10	74.90	82.80

MiniDIN &
Audio
KVM Cables

Centronics Connectors - IDC, for flat ribbon cable, 24-50 contacts



Material:

Insulator: Glass-Filled Thermoplastic PBT, UL94V-0, Blue
 Contacts: Brass, Gold flash selective gold
 Shell: Steel, 100µm Tin over 50µm min Nickel

Electrical:

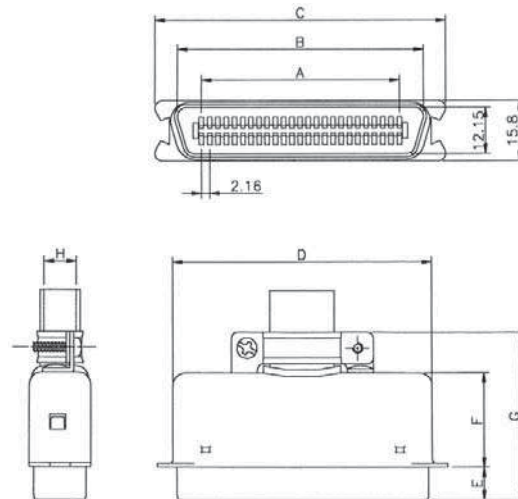
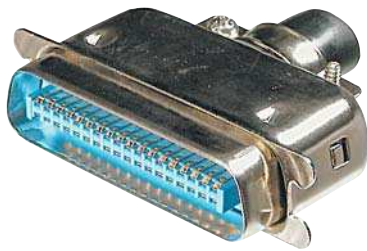
Contact Resistance: 20mΩ Max @1.0A DC
 Insulation Resistance: 1,000 MΩ @500V DC
 Dielectric Withstanding Voltage: 1,000V AC/rms 60Hz for 1 minute
 Current Rating: 3.0 Amp
 Voltage Rating: 250V AC/rms 60Hz



NOTE: ABOVE LAYOUT MAY CONTAIN VARIANCES. FOR A DETAILED DRAWING PLEASE CALL 1-877-277-6266 OR GO TO WWW.ASSMANN.US

Assmann Part Number (Standard Stocking Item)	Contacts	Gender	Dim. A	Dim. B	Dim. C	Dim. D	Assmann Part Number (Standard Stocking Item)	Contacts	Gender	Dim. A	Dim. B	Dim. C	Dim. D	Dim. E
A-57/24-FFR-R	24	Male	23.76	48.6	35.5	37.5	A-57/24-MFR-R	24	Female	54.70	46.78	23.76	45.95	35.50
A-57/36-FFR-R	36	Male	36.72	61.6	53.3	54.4	A-57/36-MFR-R	36	Female	67.80	59.74	36.72	58.80	53.30
A-57/50-FFR-R	50	Male	51.84	76.7	68.5	70.5	A-57/50-MFR-R	50	Female	82.80	74.85	51.84	74.25	68.50

Centronics Connectors - Assembly Type, Metal cover, 14-50 contacts



Material:

Insulator: Glass-Filled Thermoplastic PBT, UL94V-0, Blue
 Contacts: Phosphor Bronze
 Shell: Steel
 Operating Temperature: -55°C ~ +105°C

Electrical:

Insulation Resistance: 1,000 MΩ @500V DC
 Dielectric Withstanding Voltage: 1,000V AC/rms 60Hz for 1 minute
 Current Rating: 5.0 Amp



NOTE: ABOVE LAYOUT MAY CONTAIN VARIANCES. FOR A DETAILED DRAWING PLEASE CALL 1-877-277-6266 OR GO TO WWW.ASSMANN.US

Assmann Part Number (Standard Stocking Item)	Contacts	Gender	Dim. A	Dim. B	Dim. C	Dim. D	Dim. E	Dim. F	Dim. G	Dim. H
A-57/14-M-R	14	Male	12.96	25.60	38.10	29.00	8.20	21.60	39.90	7.0
A-57/24-M-R	24	Male	23.76	36.30	48.80	39.90	8.60	21.00	39.60	9.0
A-57/36-M-R	36	Male	36.72	49.30	61.80	53.20	7.90	22.60	40.50	11.5
A-57/50-M-R	50	Male	51.84	64.40	77.00	68.10	8.60	24.90	44.30	12.5

USB & IEEE
 IDC & Flat Ribbon
 IC, PLCC, Pin & Jumpers
 DSUB & Centronics
 Waterproof
 DVI & HDMI
 Modular
 Fiber-Optic
 Power Cords
 Wire to Board
 SATA & eSATA
 FFC/FFC
 MiniDIN & Audio
 KVM Cables

Notes

USB & IEEE

IDC &
Flat Ribbon

IC, PLCC, Pin
& Jumpers

DSub &
Centronics

Waterproof

DVI & HDMI

Modular

Fiber-Optic

Power Cords

Wire to Board

SATA &
eSATA

FFC/FPC

MiniDIN &
Audio

KVM Cables