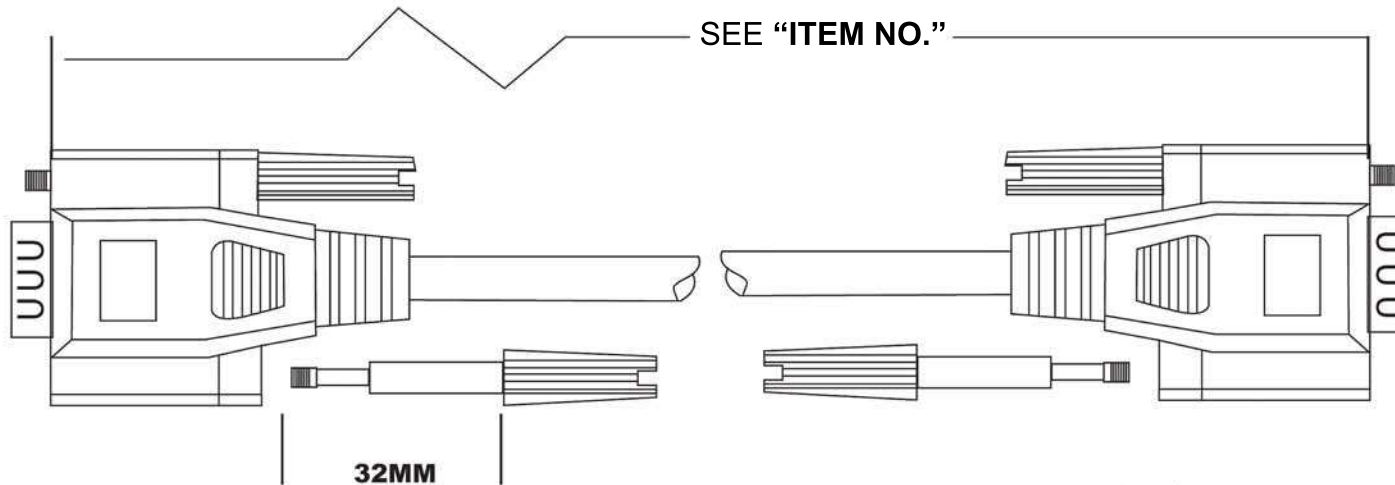
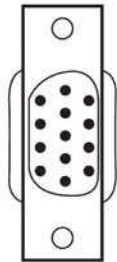


HD15 Male
MD Type



HD15 Male
MD Type



32MM

Material:

- 1.Cable: #28 14C+1+AL/MY (Beige PVC Jacket) O.D:6.0MM
- 2. Both connectors the 9th PIN are empty
- 3.Thumbscrew: #4-40UNC Type
- 4.Outter Molded with Beige PVC

Notes:

- 1.Total Length: SEE "ITEM NO."
- 2.Color: Beige
- 3.Molded Type

Configuration:

HD15M	HD15M
1 _____	1
2 _____	2
3 _____	3
4 _____	4
5 _____	5
6 _____	6
7 _____	7
8 _____	8
10 _____	10
11 _____	11
12 _____	12
13 _____	13
14 _____	14
15 _____	15
Shield _____	Shield



<i>ITEM NO</i>	AK532-2-R (2 Meters) AK377-5-R (5 Meters)
<i>TITLE</i>	VGA Monitor Connection Cable HD D-SUB 15-Pin Male to HD D-SUB 15-Pin Male

ASSMANN
Electronics, Inc.

1840 W. Drake Drive, Suite 101 - Tempe, AZ 85283
Toll Free: 1-877-277-6266 Email: info@usa-assmann.com

THIS DRAWING IS UNPUBLISHED
© Copyright 2008 by Assmann Electronic Components
All International Rights Reserved