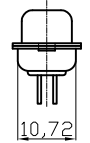
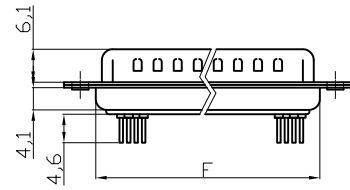
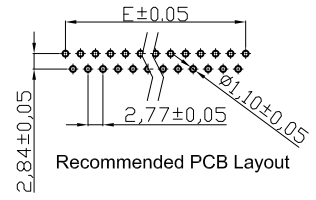
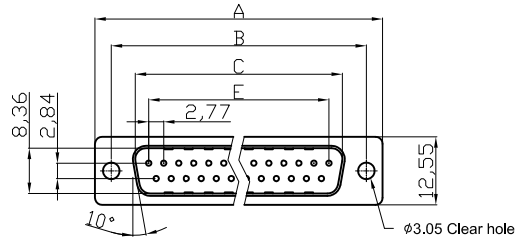


**Male**



**NOTES:**

**MATERIAL**

- 1. Insulator Material: Glass-filled thermoplastic PBT, UL94V-0
- 2. Contact Material: Brass or Phosphor Bronze
- 3. Shell :Steel, 100 µ" Tin Over 50µ" min Copper
- 4. Clinch Nut :Brass, Nickel Plated
- 5. Boardlock :Brass, Tin Plated
- 6. Screwlock :Brass, Nickel Plated

**ELECTRICAL**

- 1. Current Rating : 3AMP
- 2. Voltage Rating : 250V AC/rms 60Hz
- 3. Contact Resistance: 20mΩ
- 4. Insulation Resistance: 1000MΩ min at 500 VDC
- 5. Withstand Voltage: 1000V AC/rms 60Hz for 1 minute

**ENVIRONMENTAL**

- 1. Temperature Range: -20°C~+85°C

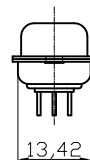
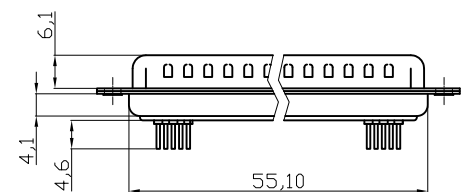
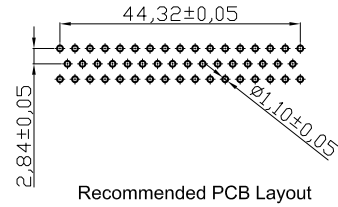
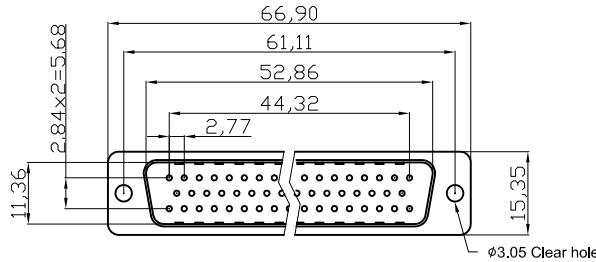
**Order Code:**

A-Dx xx PP/Z

Contact style:  
F - Female  
S - Male

No. of Contacts  
09 / 15 / 25 / 37

Standard: Quality class III



50 Positions

**Dimensions**

Positions	A	B	C	E	F
09	30.81	24.99	16.92	11.08	19.20
15	39.20	33.30	25.25	19.39	27.70
25	53.04	47.04	38.96	33.24	41.10
37	69.40	63.50	55.42	49.86	57.30

**RoHS compliant**

Unit:mm

Scale	Free				Date	Name	Customer-No.
TOLERANCE				Drawn	15.08.2012	Lucas	
X.	±0.38			Approved	15.08.2012	Winnie	ASSMANN WSW-No.
X.X	±0.25						<b>A-DX XX PP/Z</b>
X.XX	±0.13						Drawing-No.
DIM	TOL						<b>ASS 4885 CO</b>
X.°	±3°						rev00
X.X°	±1.0°	Ⓢ	Drawn	15.08.2012	Lucas		
Angle	TOL	Id.	Modification	Date	Name		Sheet 1/2



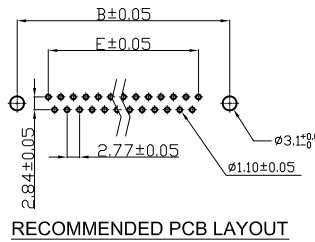
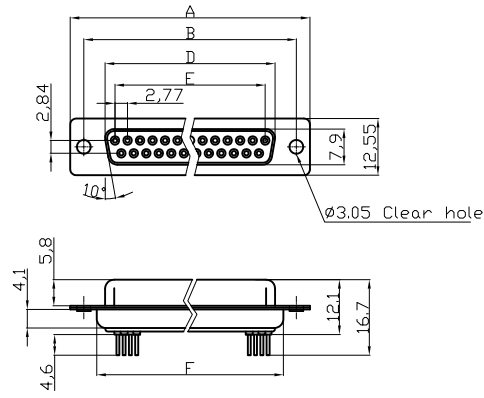
**ASS 4885 CO**

rev00

Replace

Sheet 1/2

**Female**



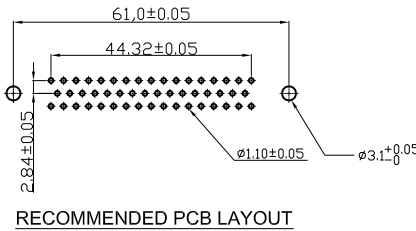
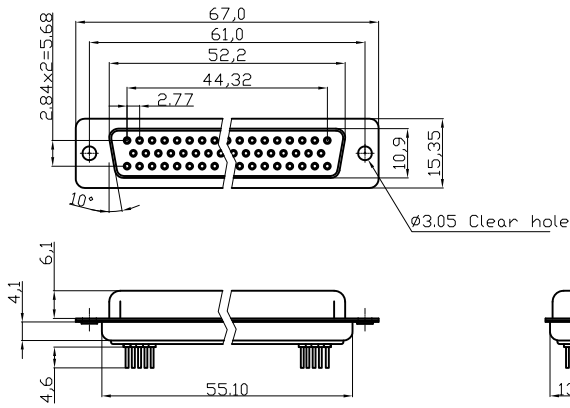
**NOTES:**

**MATERIAL**

- 1. Insulator Material: Glass-filled thermoplastic PBT, UL94V-0, Gray
- 2. Contact Material: Copper alloy
- 3. Shell :Steel, 100 μ" Tin Over 50μ" min Copper
- 4. Contact plating : Gold flash full gold

**ELECTRICAL**

- 1. Current Rating : 3AMP
- 2. Voltage Rating : 250V AC/rms 60Hz
- 3. Contact Resistance: 20mΩ Max at 1 AMP DC
- 4. Insulation Resistance: 1000MΩ at 500 VDC
- 5. Withstand Voltage: 1000V AC/rms 60Hz for 1 minute
- 6. OPERATING TEMPERATURE: -20°C+85°C



**Dimensions**

Positions	A±0.15	B±0.10	D±0.13	E±0.08	F±0.10
09	30.81	24.99	16.33	11.08	19.20
15	39.20	33.30	24.70	19.39	27.70
25	53.05	47.04	38.40	33.24	41.10
37	69.40	63.50	54.80	49.86	57.30

**50 POSITIONS**

**RoHS compliant**

Unit: mm

Scale	Free						Date	Name	Customer-No.
TOLERANCE							Drawn	15.08.2012	Lucas
X.	±0.38						Approved	15.08.2012	Winnie
X.X	±0.25								
X.XX	±0.13								
DIM	TOL								Drawing-No.
X.°	±3°								ASS 4885 CO
X.X°	±1.0°	Ⓢ	Drawn	15.08.2012	Lucas			rev00	
Angle	TOL	Id.	Modification	Date	Name			Replace	Sheet



**ASS 4885 CO** rev00

Replace Sheet 2/2