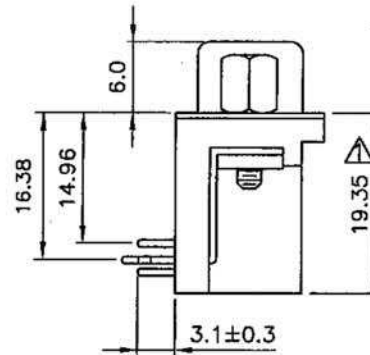
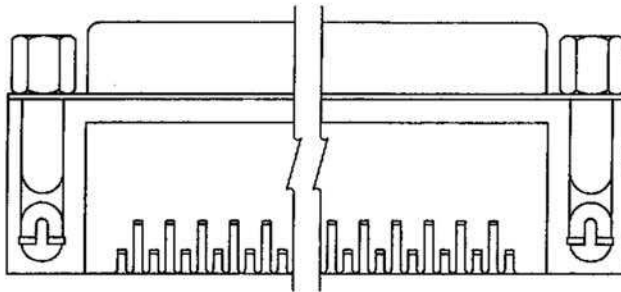


PARTS DIMENSION TABLE

parts no.	DIM. a	DIM. b	inner thread
C	4.8	11.8	4#40
E	5.8	12.0	4#40
G	4.8	11.8	M3
H	6.0	13.2	M2.6
I	5.8	11.8	M3
X	4.8	11.8	M2.6
Z	5.8	12.0	M2.6



**SPECIFICATION**

**MATERIAL**

Insulator: PBT, Rated UL94V-0 (Standard)  
 Contacts: Brass (Standard) ; Phosphor Bronze (Choose)  
 Shell: Steel

Rivet, Boardlock: Copper Alloy

**CONTACT PLATING**

Underplate: 50μ" Nickel

Contact Area: 1μ"~30μ" Selective Gold

△ Solder Tails Area: 100μ" Tin/Lead or 100μ" Tin/Lead Free ELECTRICAL

Operation Voltage: 250 VAC Max.

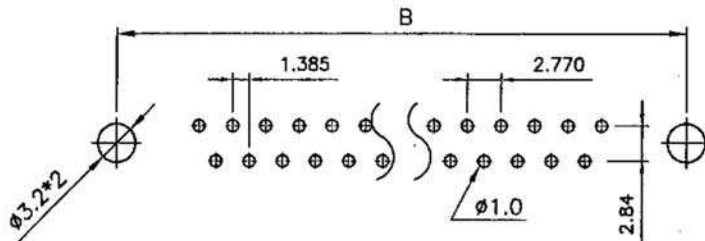
Current Rating: 3 Amps Max.

Contact Resistance: 15 mohms Max.

Insulation Resistance: 3000 Mohms Min @ 500 VDC

Dielectric Withstanding Voltage: 1000 VAC / minute

Operating Temperature: -55°C TO +105°C



RECOMMENDED P.C.B LAYOUT(TOP VIEW)  
 TOLERANCES: ±0.10mm



ITEM NO

**ADF-XX-A-KG-TASB5-R**

TITLE

**D-SUB PCB RIGHT ANGLE FEMALE**

**ASSMANN**  
 Electronics, Inc.

1840 W. Drake Drive, Suite 101 - Tempe, AZ 85283

Toll Free: 1-877-277-6266 Email: info@usa-assmann.com

THIS DRAWING IS UNPUBLISHED

© Copyright 2008 by Assmann Electronic Components  
 All International Rights Reserved