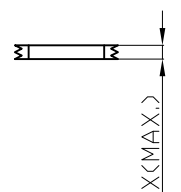


1 2 3 4 5 6 7

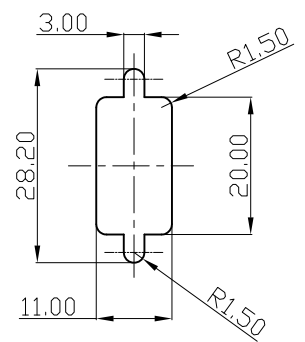
A



B

Panel Thickness
Screw L=5.0 For Panel Thickness Under 1.2mm
Screw L=6.0 For Panel Thickness Between 1.2-2.0mm

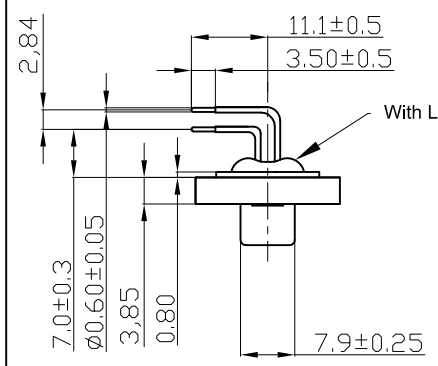
C



D

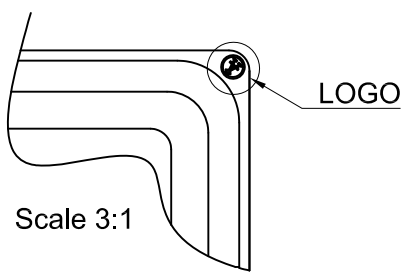
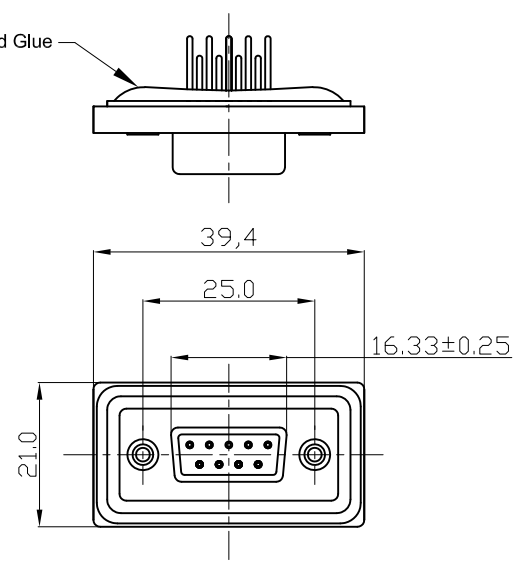
Recommended Panel Cut-Out

E



With Liquid Glue

F



NOTES:

MATERIAL

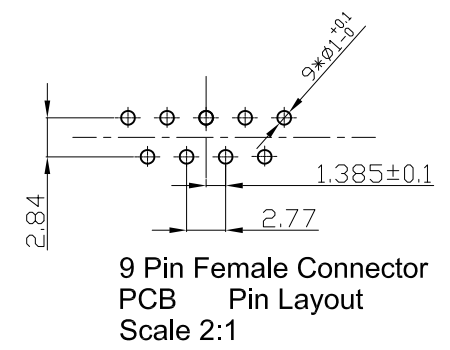
1. Insulator Material: Black, NYLON+G/F
2. Contact Material: Copper Alloy
3. Plating: Gold Plating
4. Waterproof Rate: IP67
5. Do Mating Test After Glued
6. LOGO

G

RoHS compliant

H

Scale	1:1						Date	Name	Customer-No.
TOLERANCE							Drawn	17.12.2008	JACK
X.X	±0.25						Approved	17.12.2008	Hellwig
X.XX	±0.10								
X.XXX	±0.05								
DIM	TOL								Drawing-No.
ANGLE	±1°								ASSMANN WSW-No.
X.X°	±X°	①	Drawn	17.12.2008	JACK			A-DF 09 AA-WP	
Angle	TOL	Id.	Modification	Date	Name			Replace	ASS 3229 CO



9 Pin Female Connector
PCB Pin Layout
Scale 2:1

1 2 3 4 5 6 7