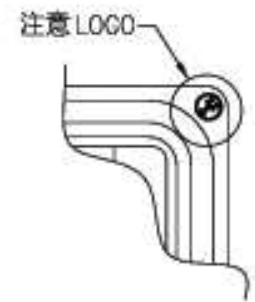
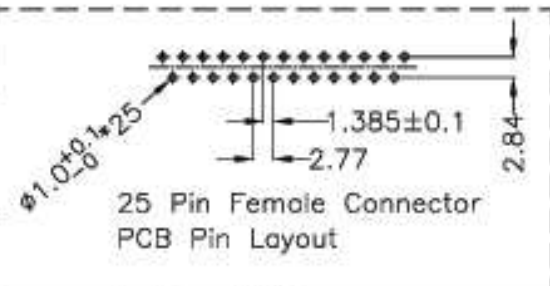
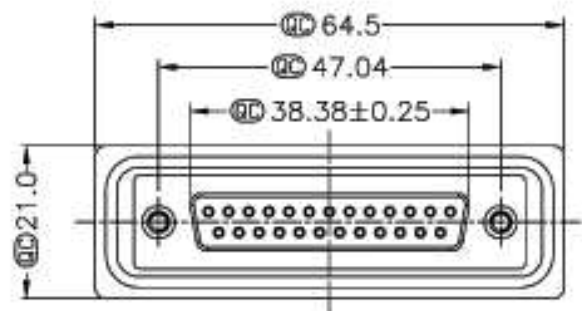
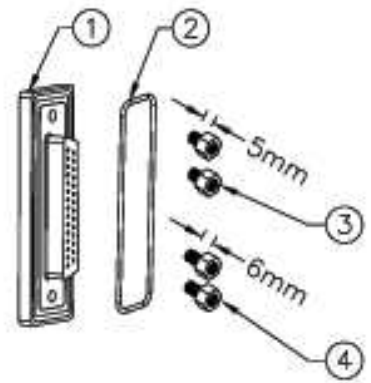
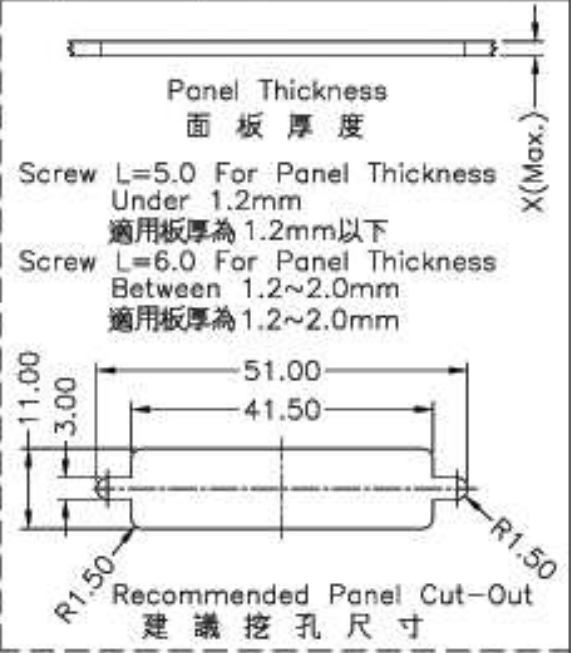
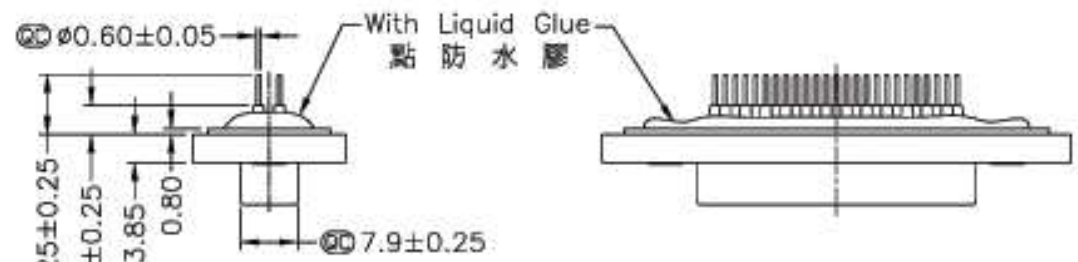


REV.	REV. NO.	DATE	BY	DESCRIPTION



- Note:
- * Ⓞ Important Dimension. (Ⓞ為重點尺寸)
 - * Waterproof Rate : IP67
 - * Connector: Black, Nylon+GF
 - * Pin: Copper Alloy, Gold Plated
 - * Do Mating Test After Glued
點膠後, 須作對插測試
 - * 注意LOGO 為Ⓞ

UNIT:mm		TITLE D-SUB,D-SUB,DB-25PFFP
TOLERANCE X ±0.25 XX ±0.1 XXX ±0.05 ANGLES ±1°	SCALE Free	SHEET 1 OF 1
REV. 01	SIZE A4	Ⓞ Inspection Item



ITEM NO A-DF-25-PP-WP-R	DRAWN BY Gao Ling	DATE 2006/05/05
DWG NO A-DF-25-PP-WP-R	CHECKED BY Robert Hsu	DATE 2006/05/24
	APPROVED BY Martin	DATE 2006/05/25