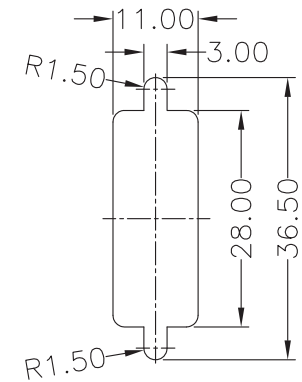
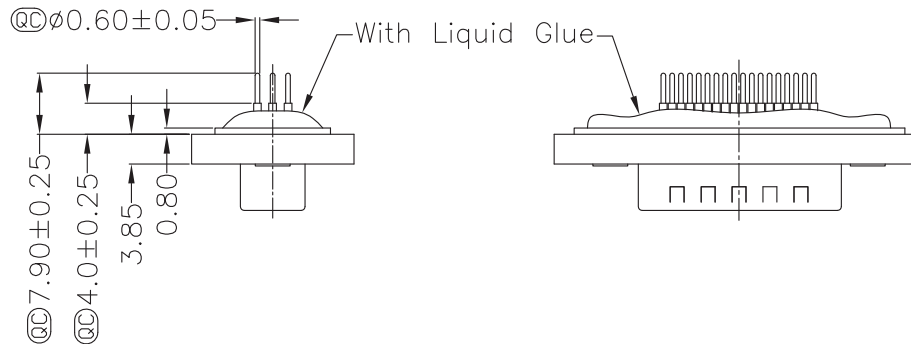
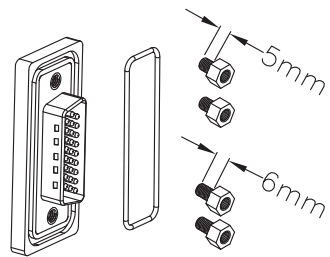


Screw L=5.0 For Panel Thickness Under 1.2mm

Screw L=6.0 For Panel Thickness Between 1.2~2.0mm



Recommended Panel Cut-Out

Material:

- Waterproof rate: IP67
- Connector: Black, Nylon+GF
- Pin: Copper alloy, Gold plated

Unit: mm



Scale	Free				Date	Name	
TOLERANCE					Drawn	30.11.11	Chappell
X.X	±0.25				Approved		
X.XX	±0.10						
X.XXX	±0.05						
DIM	TOL						
X.°	±1°						
X.X°	±X°						
Angle	TOL	Id.	Modification	Date	Name	Replace	Sheet

Title	
Waterproof DSub connector High Density, Straight 26 pin, Male	
ASSMANN WSW-No.	
A-HDS26PP-WP	
Drawing-No.	rev00
Sheet	1/1



1840 W. Drake Drive, Suite 101 • Tempe, AZ 85283
Toll Free: 1-877-277-6266 • Email: info@assmann.us