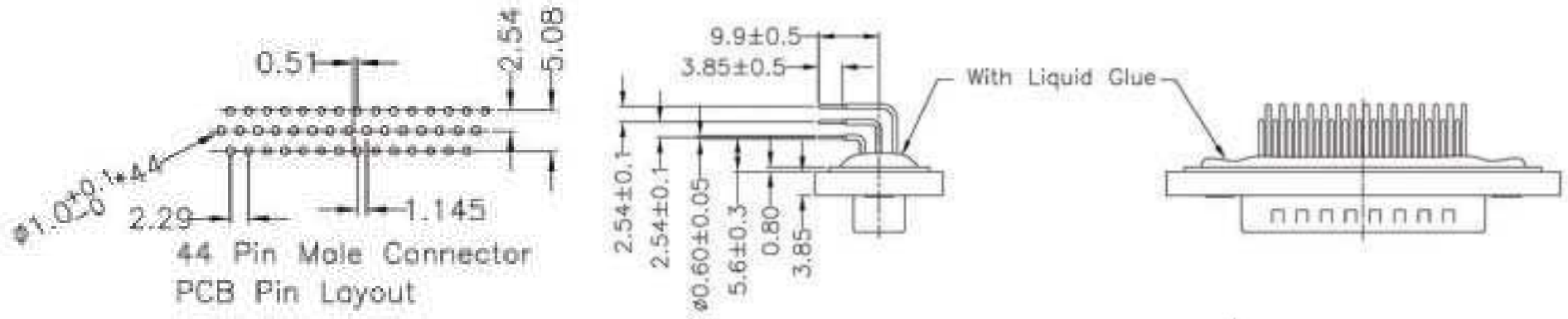


A

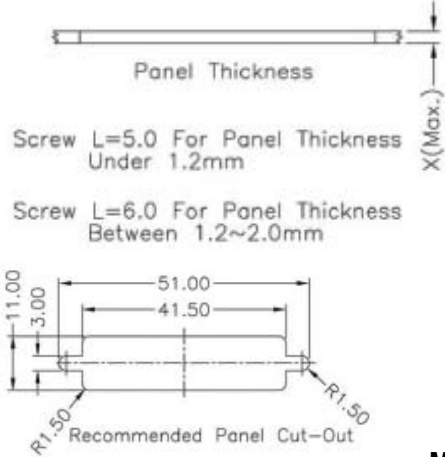
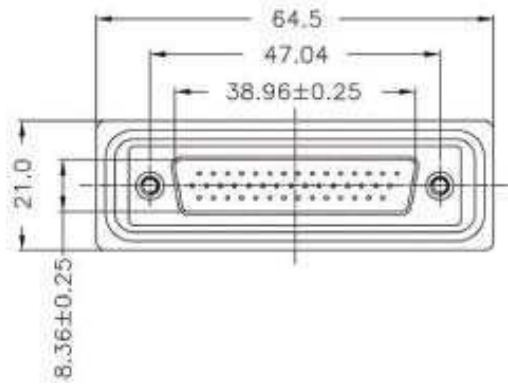
A



44 Pin Mole Connector  
PCB Pin Layout

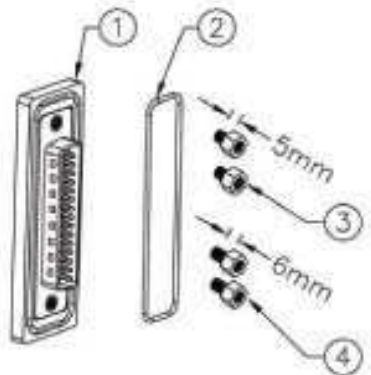
C

C



D

D



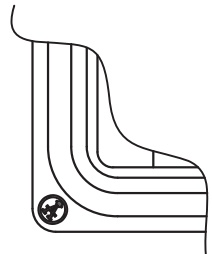
E

E

- Material:**
- Waterproof Rate: IP67
  - Connector: Black, Nylon+GF
  - Pin: Copper Alloy, Gold Plated

F

F



G

G

Scale	1:1							Name	Item No. <b>A-HDS44AA-WP-R</b>
TOLERANCE								Chappell	
X.X	±0.40						Drawn	11.30.11	Title D-Sub, High Density, Male, 44 Pin, 90°
X.XX	±0.25						Approved		
X.XXX	±0.15								Drawing No.
Angle	±3°								
									Replace
									rev00
									Sheet



H

H