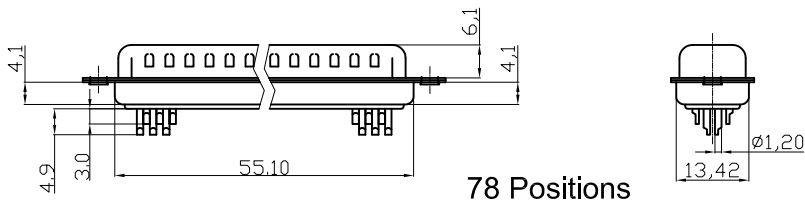
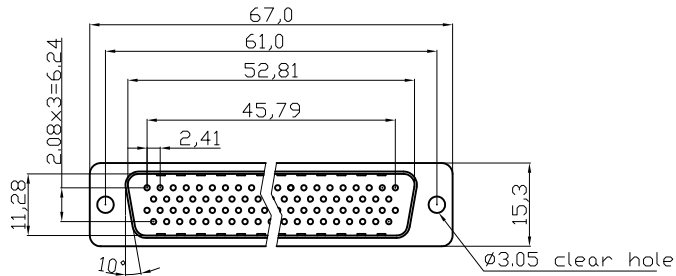
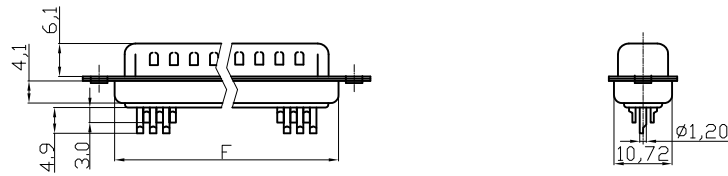
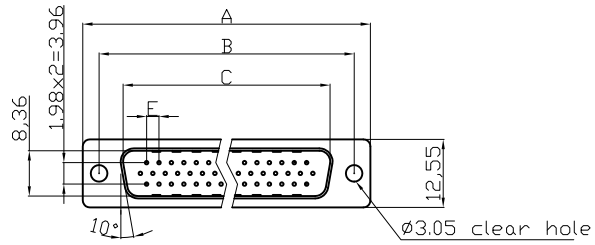


Male



78 Positions

Product Specification

Material

Insulator :Glass-Filled Thermoplastic PBT,UL94V-0 rated,Black
 Contact : Copper alloy, Gold flash selective gold plating
 Shell : Steel, 100u" Tin Over 50u" min Copper

Electrical

Contact Resistance :20 milliohms Max at 1 AMP DC.
 Insulation Resistance :1000 magohms at 500 VDC
 Dielectric Withstanding Voltage :1000 VAC/rms 60Hz for 1 minute
 Current Rating : 3 AMP
 Volatge Rating :250 VAC/rms 60Hz
 Operating Temperature: -20°C ~ +85°C

Order Code:

A-HDx xx LL/Z

Contact style: No. of Contacts
 F - Female 15 / 26 / 44 / 62
 S - Male Standard: Quality class III

Dimensions

Positions	A	B	C	E	F
15	30.81	24.99	16.92	2.29	19.20
26	39.20	33.30	25.25	2.29	27.70
44	53.04	47.04	38.96	2.29	41.10
62	69.40	63.50	55.42	2.41	57.30

RoHS compliant

Unit: mm



File No.: E198287

Scale	Free				Date	Name	Customer-No.
TOLERANCE				Drawn	15.08.2012	Lucas	ASSMANN WSW-No. A-HDx xx LL/Z
X.	±0.38			Approved	15.08.2012	Winnie	
X.X	±0.25						
X.XX	±0.13						
DIM	TOL						
X.°	±3°						Drawing-No.
X.X°	±1.0°	ⓐ	Drawn	15.08.2012	Lucas		ASS 4895 CO
Angle	TOL	Id.	Modification	Date	Name		rev00
							Replace
							Sheet 1/2



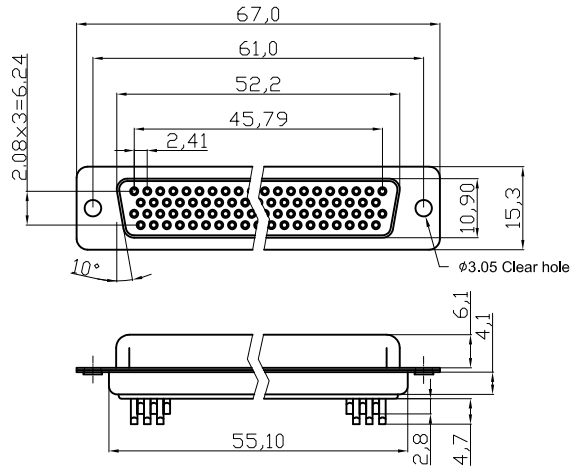
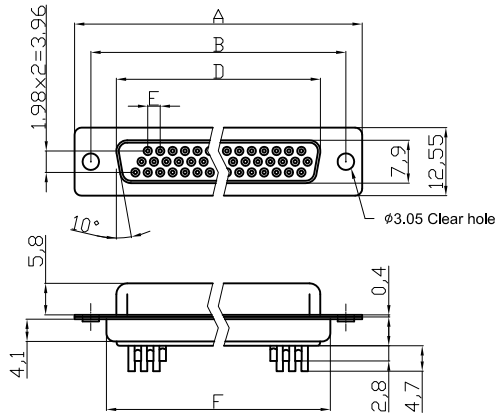
ASS 4895 CO

rev00

Replace

Sheet 1/2

Female



78 Positions

NOTES:

MATERIAL

Insulator Material: Glass-filled thermoplastic PBT, UL94V-0 rated, Black
 Contact Material: Copper alloy, Gold flash selective gold plating
 Shell : Steel, 100 μ" Tin Over 50μ" min Copper

Electrical

Contact Resistance : 20 milliohms Max at 1 AMP DC.
 Insulation Resistance : 1000 megohms at 500 VDC
 Dielectric Withstanding Voltage: 1000 VAC/rms 60Hz for 1 minute
 Current Rating : 3 AMP
 Voltage Rating : 250 VAC/rms 60Hz
 Operating Temperature: -20°C+85°C

Dimensions

Positions	A	B	D	E	F
15	30.81	24.99	16.33	2.29	19.20
26	39.20	33.30	24.70	2.29	27.70
44	53.05	47.04	38.40	2.29	41.10
62	69.40	63.50	54.80	2.41	57.30

RoHS compliant

Unit: mm



File No.: E198287

Scale	Free				Date	Name	Customer-No.
TOLERANCE				Drawn	15.08.2012	Lucas	ASSMANN WSW-No. A-HDx xx LL/Z
X.	±0.38			Approved	15.08.2012	Winnie	
X.X	±0.25						Drawing-No.
X.XX	±0.13						ASS 4895 CO
DIM	TOL						rev00
X.°	±3°						Replace
X.X°	±1.0°	Ⓢ	Drawn	15.08.2012	Lucas	Sheet 2/2	
Angle	TOL	Id.	Modification	Date	Name		



ASS 4895 CO

rev00

Replace

Sheet 2/2