

1

2

3

4

5

6

7

A

B

C

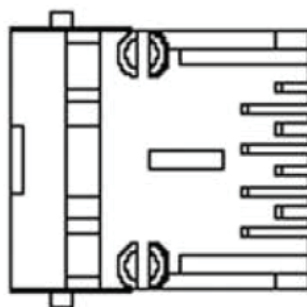
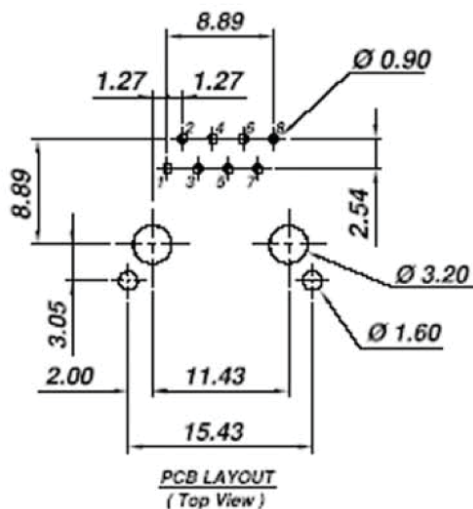
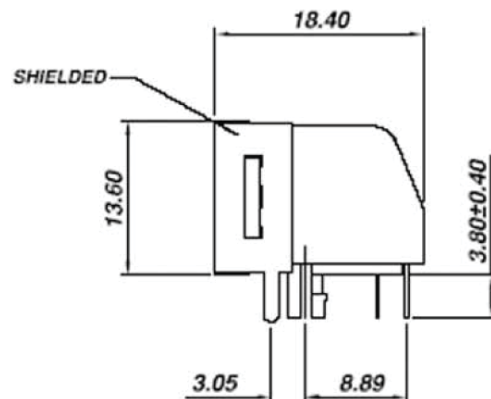
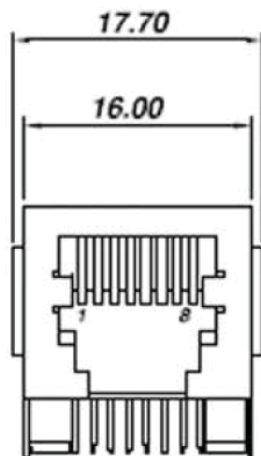
D

E

F

G

H



### Materials:

- Insulator: P.B.T. Glass Filled, UL94V-0  
- Soldering Temperature: 235°C
- Spring Wire: 0.35MM Thickness Phosphor Bronze Gold Plating over Nickel
- Color: Black

### Electrical:

- Insulation Resistance: 500MΩ Min.
- Contact Resistance: 20MΩ Max.
- Rating Current: 1.5A Max.
- Rating Voltage: 120V AC
- Dielectric Withstanding: 1,000V AC at 1 Minute
- Operating Temperature: -40°C ~ +85°C
- Durability: 500 Mating cycles Min.

Unit: MM

Scale	1:1					Name	Item No.
TOLERANCE					Drawn	12.21.11	<b>A-2004-2-1-LP/S-R</b>
X.X	±0.40				Approved		
X.XX	±0.25						Title
X.XXX	±0.15						Very Low Profile PCB Jack - RJ45, 90°, Shielded, Side Entry, 15µ"
Angle	±3°						Drawing No.
							<b>rev00</b>
							Replace
							Sheet
			Modification	Date	Name		



1

2

3

4

5

6

7

A

B

C

D

E

F

G

H