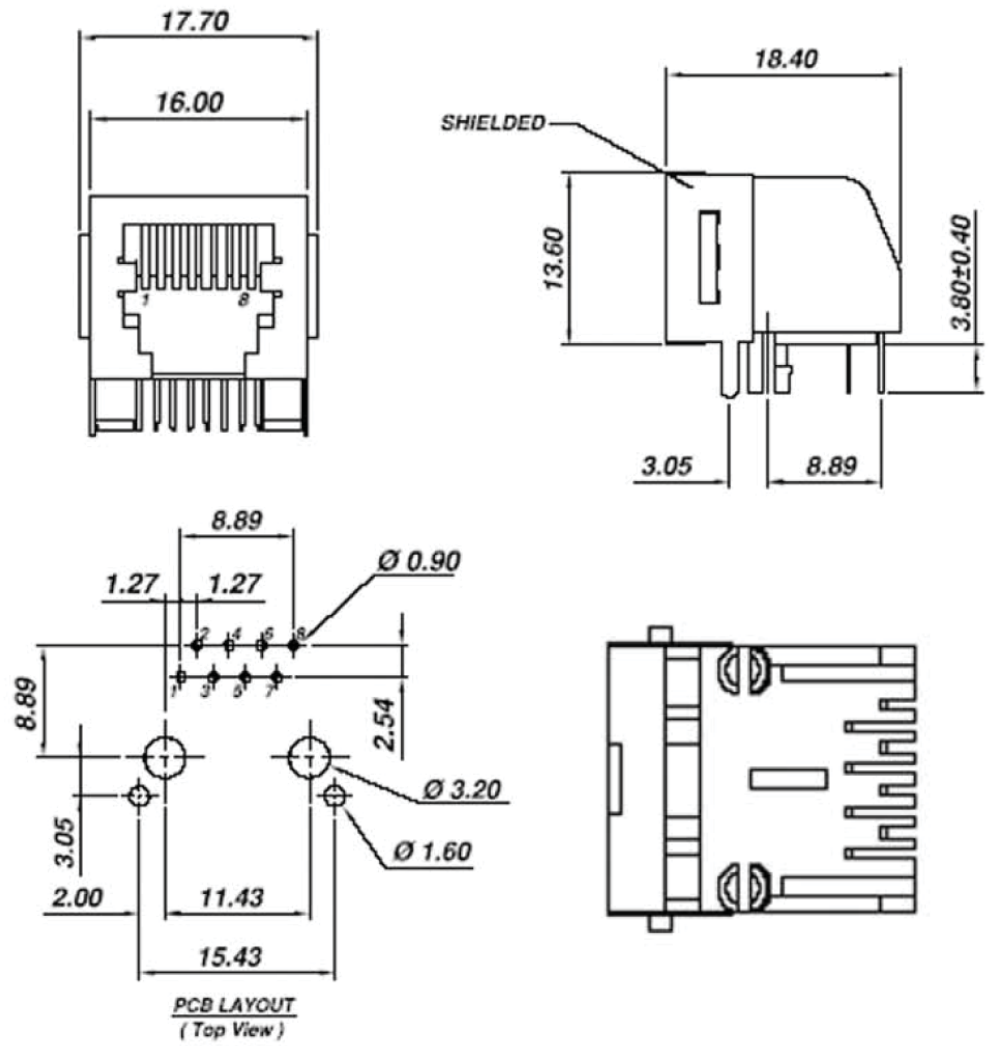


A  
B  
C  
D  
E  
F  
G  
H

A  
B  
C  
D  
E  
F  
G  
H



**Materials:**

- Insulator: P.B.T. Glass Filled, UL94V-0  
- Soldering Temperature: 235°C
- Spring Wire: 0.35MM Thickness Phosphor Bronze Gold Plating over Nickel
- Color: Black

**Electrical:**

- Insulation Resistance: 500MΩ Min.
- Contact Resistance: 20MΩ Max.
- Rating Current: 1.5A Max.
- Rating Voltage: 120V AC
- Dielectric Withstanding: 1,000V AC at 1 Minute
- Operating Temperature: -40°C ~ +85°C
- Durability: 500 Mating cycles Min.

Unit: MM

Scale	1:1						Name	Item No.
TOLERANCE						Drawn	12.21.11	<b>A-2004-2-4-LP/S-R</b>
X.X	±0.40					Approved		
X.XX	±0.25							
X.XXX	±0.15							
Angle	±3°							Drawing No.
								<b>rev00</b>
								Replace
								Sheet
		Modification	Date	Name				

