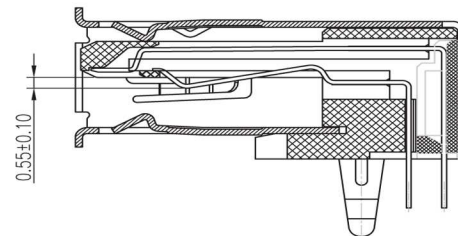
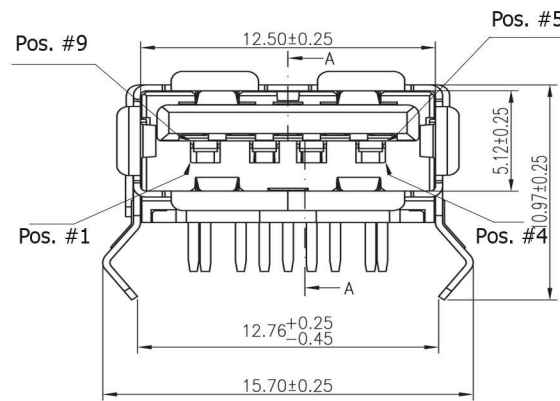
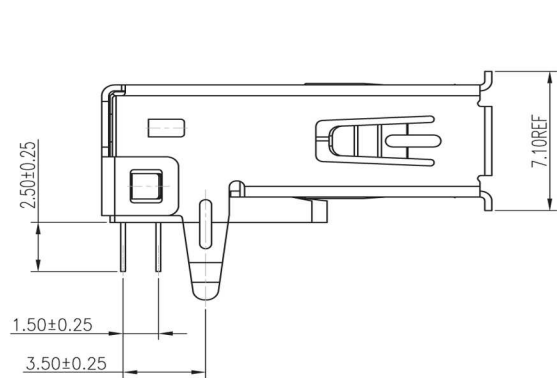


Recommended PCB Layout — CONNECTOR FRONT EDGE



Material:

- Housing: PBT+30% G.F. UL 94V-0
- Contact 5P: Brass
- Contact 4P: Phosphor Bronze
- Shell: Brass
- Contact plating: Gold flash and tin over nickel plated
- Shell plating: Nickel plated over all

Electrical:

- Current rating: 1.8A for VBUS and GND contacts
1.5A for other contacts
- Withstanding voltage: 100V AC(RMS)
- Insulation Resistance: 100MΩ min. at 100V DC
- Contact Resistance: 30MΩ Max. for VBUS and GND contacts
50MΩ Max. for other contacts
- Mating force: 3.57kgF Max.
- Unmating force: 1.02kgF Min.

Unit: MM±0.25MM



Scale	1:1	Added pin numbering	1.19.12	KAM	Drawn	10.19.11	Chappell	Name	Item No.
TOLERANCE									
X.X	±0.40								AU-Y1005-3-R
X.XX	±0.25				Approved		Warner	Title	
X.XXX	±0.15								USB Connector 3.0 - A Female Type, DIP 90°15µ, for PCB Mount
Angle	±3°							Drawing No.	
									rev00
									Sheet
		Modification	Date	Name					