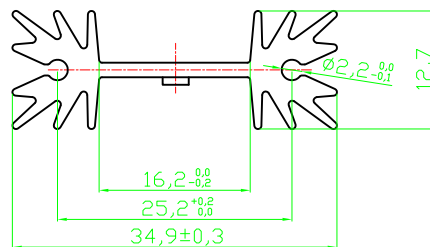
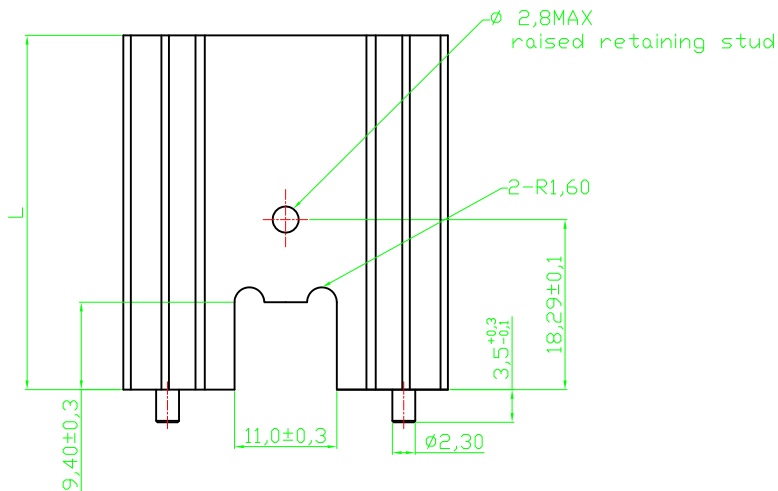


RoHS compliant



Material : AL 6063-T5 BL-005
 PIN: CRS TIN PLATED
 Finished: Black anozed
 Unmarked round angle R is 5mm.

Option	L	Thermal resistance(K/W)
V7477WC	25.4	14
V7477XC	38.1	11
V7477YC	50.8	9
V7477ZC	63.5	7

Scale	FREE						Date	Name	Customer-No.	
TOLERANCE						Drawn	11.08.2009	Dean	ASSMANN WSW-No. V7477xC	
X.	±X					Approved	20.07.2010	Andy		
X.X	±X									
UNIT	±0.2	③	Modify dimation	20.07.2010	Alex				Drawing-No.	
DIM	TOL	②	Modify drawing layout	10.03.2010	Alex				ASS 0867 HS	rev03
X.°	±X°									
X.X°	±X°	①	Drawn	11.08.2009	Dean					
Angle	TOL	Id.	Modification	Date	Name				Replace	Sheet

1

2

3

4

5

6

7