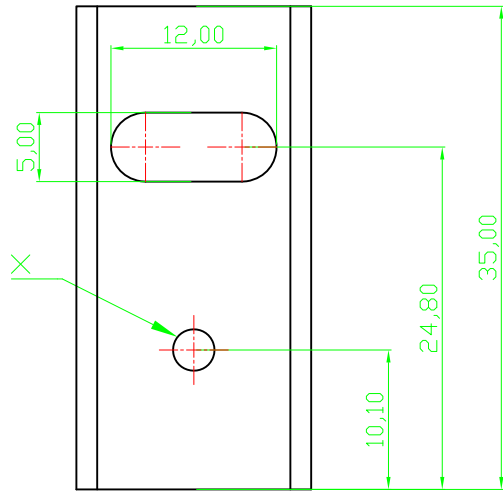
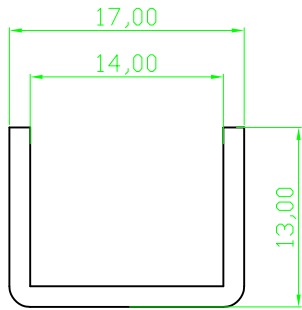


RoHS compliant



Notes
Material:AL99.5

Option	Dimension x	Version	Thermal resistance
V5616X-T	M 3,0	Black anodized	17
V5616Y-T	∅ 3,2	Black anodized	17

Scale	1:1					Date	Name	Customer-No.	
TOLERANCE						Drawn	Schulz		
X.	±X					Approved	Plate	ASSMANN WSW-No. V5616X-T V5616Y-T	
X.X	±X								
X.XX	±X								
DIM	TOL	②	Modify P/N	11.10.2010	Dean			Drawing-No.	
X.°	±X°							ASS 0488 HS	rev02
X.X°	±X°	①	Drawn	12.10.2009	Schulz			Replace	Sheet
Angle	TOL	Id.	Modification	Date	Name				

1

2

3

4

5

6

7