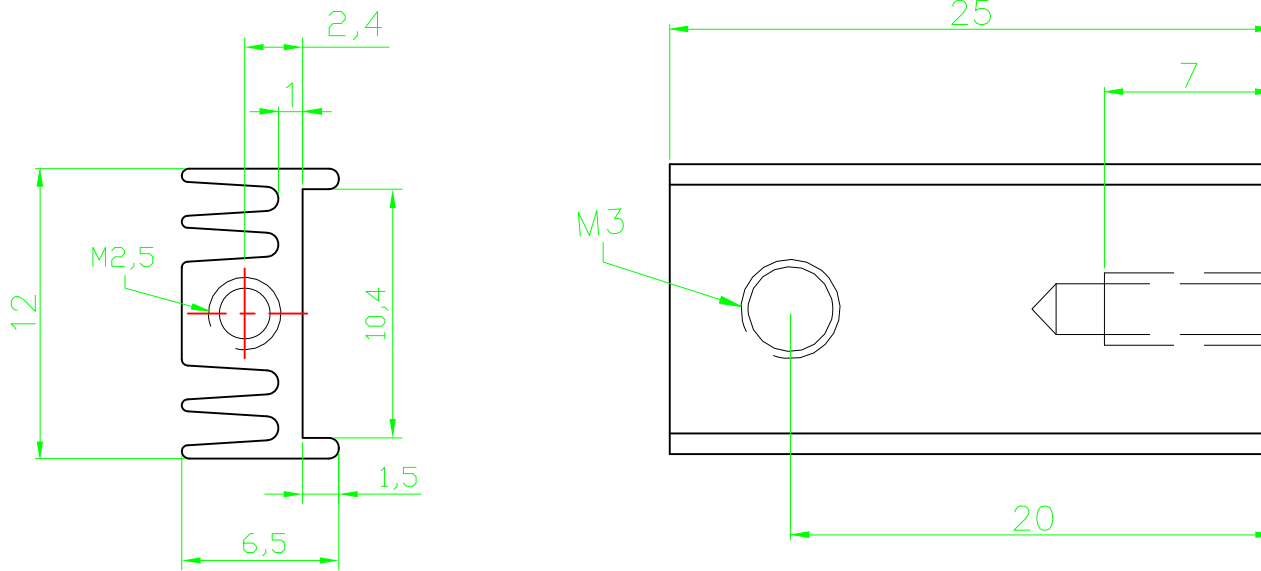


RoHS compliant



Scale	1:1					Date	Name	Customer-No.
TOLERANCE					Drawn	07.09.2006	Storb	ASSMANN WSW-No. V5629G
X.					Approved	10.03.2010	Andy	
X.X		③	Modify drawing layout	10.03.2010	Alex			
X.XX		②	Update	11.08.2009	Dean			Drawing-No.
DIM	TOL	①	Drawn Drawn	07.09.2006	Storb			ASS 0620 HS
X.°								Replace
Angle	TOL	Id.	Modification	Date	Name			Sheet

1

2

3

4

5

6

7