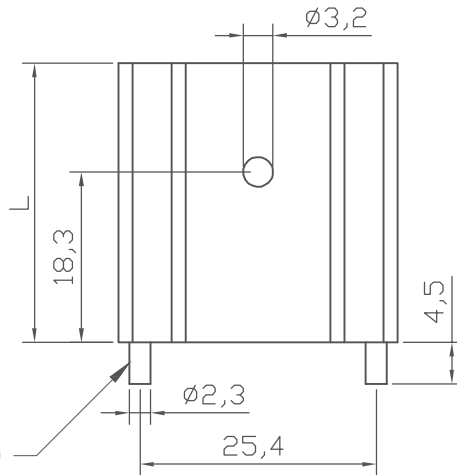
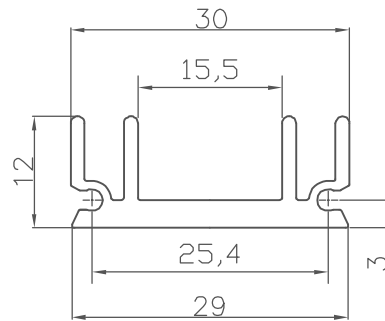


RoHS compliant



Material:ALUMINUM 6063 T5
Finisher: Black anodize



P/N	L	Thermal resistance(K/W)
V6560W	25MM	10
V6560X	37.5MM	8
V6560Y	50MM	7
V6560W3	20MM	
V6560X2	35MM	
V6560W5	21MM	

Scale	1:1					Date	Name	Customer-No.
TOLERANCE						Drawn	17.11.2005	Storb
X.						Approved	10.03.2010	Andy
X.X								ASSMANN WSW-No. V6560x
X.XX		?	Modify drawing layout	10.03.2010	Alex			Drawing-No.
DIM	TOL	?	Update	11.08.2009	Dean		ASS 0595 HS rev03	
X.°		?	Drawn	17.11.2005	Storb		Replace	Sheet
Angle	TOL	Id.	Modification	Date	Name			