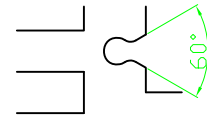
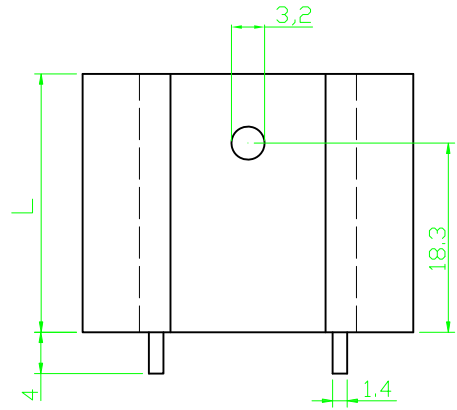
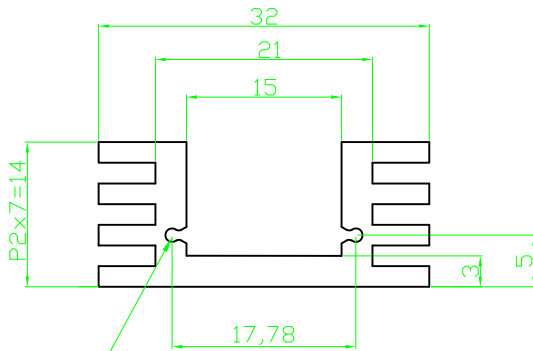


RoHS compliant



(REMARK A)
S=2:1



(REMARK A)

Notes

Material : AL6063-T5

Finished : Black Anodized

UNSPECIFIED R=0.3MM

Option	L	Thermal resistance(K/W)
V5229W	25	12.5
V5229X	37.5	10
V5229Y	50	8.5

Scale	1:1					Date	Name	Customer-No.
TOLERANCE						Drawn	11.08.2009	Dean
						Approved	10.03.2010	Andy
UNIT	±0.2							ASSMANN WSW-No. V5229x
DIM	TOL	②	Modify drawing layout	10.03.2010	Alex			Drawing-No. ASS 0871 HS
X.°	±X°	①	Drawn	11.08.2009	Dean			rev02
X.X°	±X°	①	Drawn	11.08.2009	Dean			
Angle	TOL	Id.	Modification	Date	Name	Replace	Sheet	

Customer-No.	
ASSMANN WSW-No.	V5229x
Drawing-No.	ASS 0871 HS
Replace	Sheet

1

2

3

4

5

6

7

A

B

C

D

E

F

G

H

A

B

C

D

E

F

G

H

1

2

3

4

5

6

7