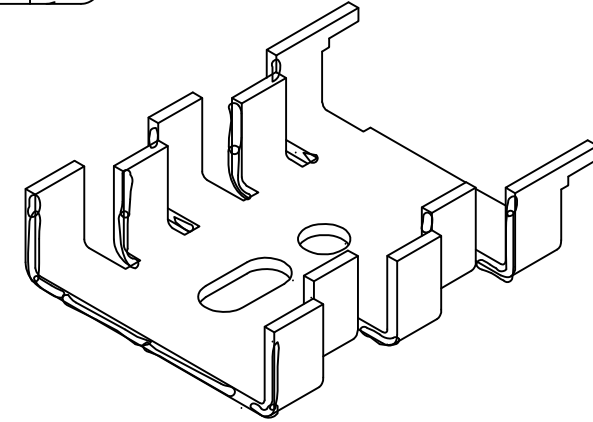
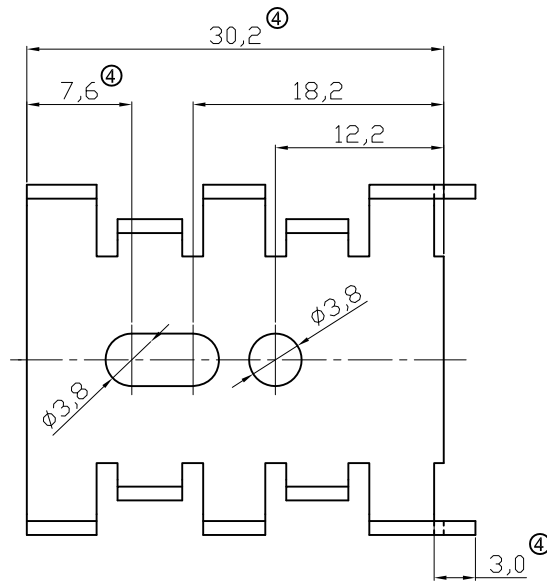
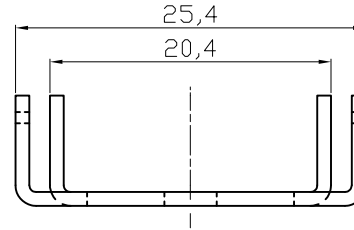
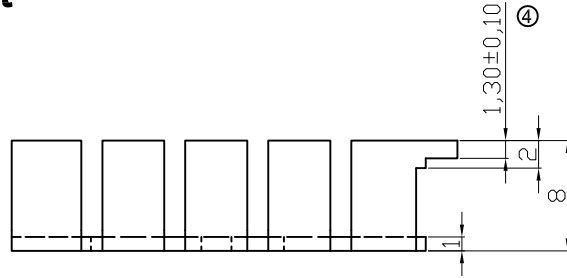


RoHS compliant



Notes
Material:AL99.5-1mm

Option	Version	Thermal resistance
V5236BP-T	Black anodized	18
V5236SNP-T	Tinned solderable	18

Scale	1:1						Date	Name	Customer-No.	
TOLERANCE						Drawn	20.08.2009	Dean		
X.	±X									
X.X	±X	④	Update	24.08.2011	Jason	Approved	24.08.2011	Andy	ASSMANN WSW-No. V5236BP-T V5236SNP-T	
X.XX	±X	③	Modify P/N	09.10.2010	Dean					
DIM	TOL								Drawing-No.	
X.°	±X°	②	Modify drawing layout	10.03.2010	Dean				ASS 0475 HS	rev04
X.X°	±X°	①	Drawn	20.08.2009	Dean					
Angle	TOL	Id.	Modification	Date	Name				Replace	Sheet

1

2

3

4

5

6

7