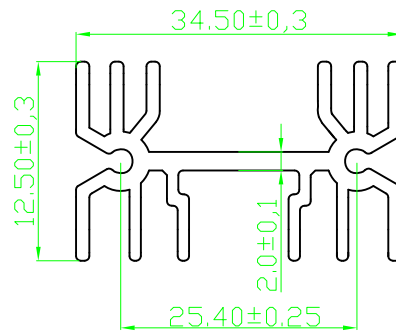
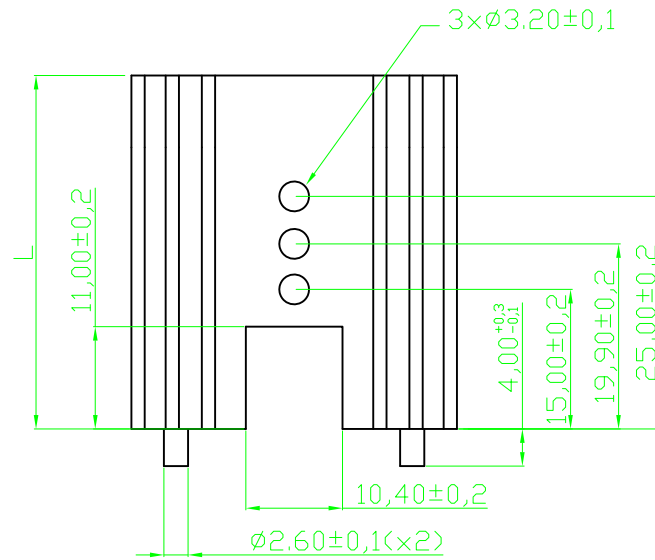


RoHS compliant



Notes
 Material : AL 6063
 Finished : Black Anodized
 Pin : Tin Plated

Option	L	Thermal resistance(K/W)
V8813W	25	6.5
V8813X	38	5
V8813Y	50	4

Scale	1:1					Date	Name	Customer-No.
TOLERANCE					Drawn	11.08.2009	Dean	
					Approved	08.03.2010	Andy	ASSMANN WSW-No. V8813x
UNIT	±x							
DIM	TOL	②	Modify drawing layout	08.03.2010	Dean		Drawing-No.	ASS 0870 HS rev02
X.°	±X°	①	Drawn	11.08.2009	Dean		Replace	
X.X°	±X°							Sheet
Angle	TOL	Id.	Modification	Date	Name			

1

2

3

4

5

6

7

A

B

C

D

E

F

G

H

A

B

C

D

E

F

G

H

1

2

3

4

5

6

7