

Dimensions

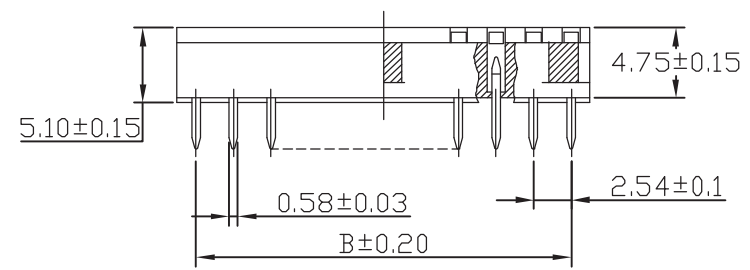
| Positions | A     | B     | C     | D    |
|-----------|-------|-------|-------|------|
| 08        | 10.16 | 7.62  | 10.16 | 7.62 |
| 14        | 17.78 | 15.24 | 10.16 |      |
| 16        | 20.32 | 17.78 | 10.16 |      |
| 18        | 22.86 | 20.32 | 10.16 |      |
| 20        | 25.40 | 22.86 | 10.16 |      |
| 22        | 27.94 | 25.40 | 10.16 |      |

**Material:**

- Contact: Phosphor bronze thickness 0.15mm
- Contact plating: Tin plated 60µ"~80µ"
- Insulator: PBT-4830, UL 94V-0

**Specifications:**

- Current rating: 1A
- Dielectric withstanding voltage: 1,000V RMS/minute
- Insulator resistance: 5,000MΩ min.
- Contact resistance: 20mΩ initial 30mΩ after test
- Operating temperatures: -55°C to 85°C
- Insertion force: 340g(12 oz) max. per contact
- Withdrawal force: 80g(2.82 oz) min. per contact

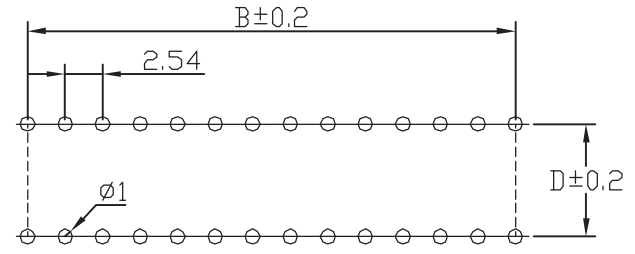
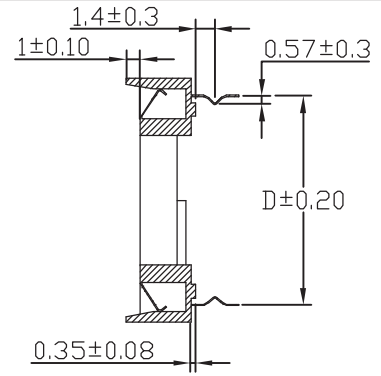
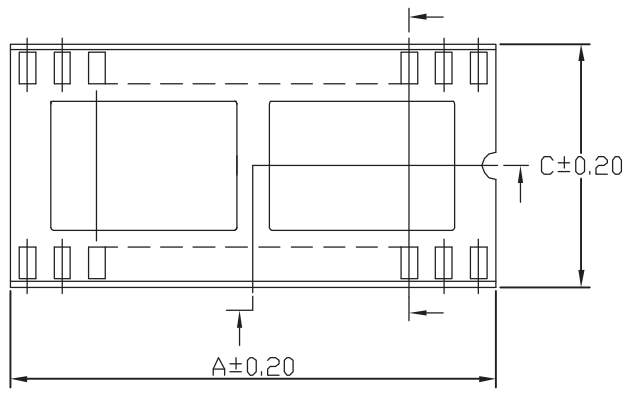


Unit: mm



|           |       |     |              |      |      |                                  |        |  |
|-----------|-------|-----|--------------|------|------|----------------------------------|--------|--|
| Scale     | 2:1   |     |              |      |      | Date                             | Name   | Title<br>IC Socket Low Cost<br>Retentive leg, 2.54mm pitch |
| TOLERANCE |       |     |              |      |      | Drawn                            | Wilson |  |
| X.        | ±0.38 |     |              |      |      | Approved                         | Groll  | ASSMANN WSW-No.  |
| X.X       | ±0.25 |     |              |      |      |                                  |        | <b>Axx-LC-TR-R</b>   |
| X.XX      | ±0.13 |     |              |      |      |                                  |        | Drawing-No.  |
| DIM       | TOL   |     |              |      |      | <b>ASSMANN</b><br>WSW components |        | rev00  |
| X.°       | ±3°   |     |              |      |      |                                  |        | Replace  |
| X.X°      | ±1.0° | Ⓢ   |              |      |      |                                  |        | 1/2  |
| Angle     | TOL   | Id. | Modification | Date | Name |                                  |        |  |





PCB Layout

Dimensions

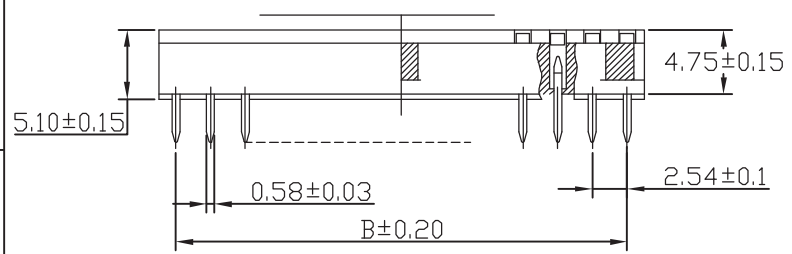
| Positions | A     | B     | C     | D     |
|-----------|-------|-------|-------|-------|
| 24        | 30.48 | 27.94 | 17.78 | 15.24 |
| 28        | 35.56 | 33.02 | 17.78 |       |
| 32        | 40.64 | 38.10 | 17.78 |       |
| 40        | 50.80 | 48.26 | 17.78 |       |

**Material:**

- Contact: Phosphor bronze thickness 0.15mm
- Contact plating: Tin plated 60µ"~80µ"
- Insulator: PBT-4830, UL 94V-0

**Specifications:**

- Current rating: 1A
- Dielectric withstanding voltage: 1,000V RMS/minute
- Insulator resistance: 5,000MΩ min.
- Contact resistance: 20mΩ initial 30mΩ after test
- Operating temperatures: -55°C to 85°C
- Insertion force: 340g(12 oz) max. per contact
- Withdrawal force: 80g(2.82 oz) min. per contact



Unit: mm



|           |       |     |              |      |      |  |          |  |
|-----------|-------|-----|--------------|------|------|--|----------|--|
| Scale     | 2:1   |     |              |      |      | Date   | Name     | Title<br>IC Socket Low Cost<br>Retentive leg, 2.54mm pitch |
| TOLERANCE |       |     |              |      |      | Drawn  | 07.02.13 |  |
| X.        | ±0.38 |     |              |      |      | Approved   | 07.02.13 | Groll  |
| X.X       | ±0.25 |     |              |      |      |  |          |  |
| X.XX      | ±0.13 |     |              |      |      |  |          |  |
| DIM       | TOL   |     |              |      |      |  |          |  |
| X.°       | ±3°   |     |              |      |      |  |          |  |
| X.X°      | ±1.0° | Ⓣ   |              |      |      |  |          |  |
| Angle     | TOL   | Id. | Modification | Date | Name |  |          | Drawing-No.  |
|           |       |     |              |      |      |  |          | Replace  |
|           |       |     |              |      |      | 1840 W. Drake Drive, Suite 101 • Tempe, AZ 85283<br>Toll Free: 1-877-277-6266 • Email: info@assmann.us |          | Sheet<br>2/2   |