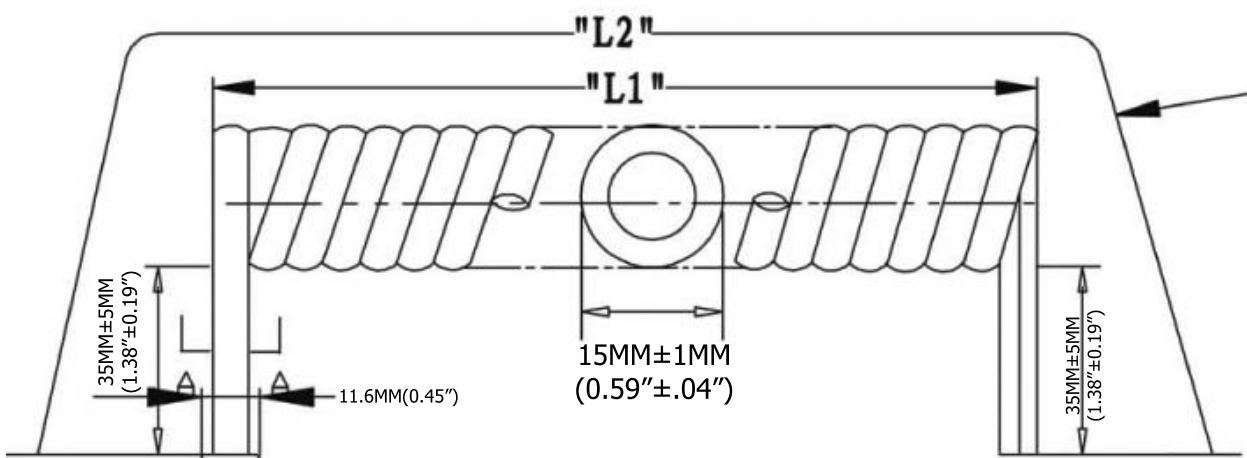


A

A



Extended length is with 500g of force

B

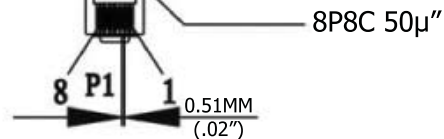
B

C

C

D

D



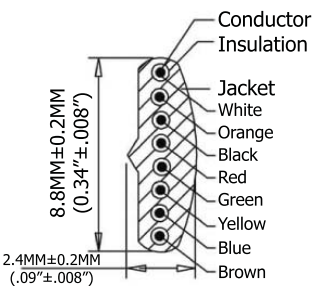
P1	COLOR
1	WHITE
2	ORANGE
3	BLACK
4	RED
5	GREEN
6	YELLOW
7	BLUE
8	BROWN

Material:

- Plug Housing : Polycarbonate, clear
Plug Terminal: 0.36" [0.14MM] Thick Phosphor Bronze
- Connector: 50" of Selective Gold Contact Plating
- Area, Gold flash over the remainder
- Over 2.54μ[.000100] thick nickel underplate
- Conductor(X4C): 26AWG (0.12X12) Bare Copper
Insulation(X43): PP6331 ID 0.95-1.0
Jacket: PVC NOUL 80P
Package: Individual PE Bag

E

E



SEC: A-A

Extended Length ("L2")	Typical Retracted Length ("L1")
300.0 Inches - 345.0 Inches	126.0 Inches
7,620.0MM-8,763.0MM	3,200.4MM

Electrical:

- Voltage rating: 30V (DC)

G

G

Scale	1:1						Name	Item No. AT-C-26-8/8/S-25-OE-R
TOLERANCE					Drawn	11.21.11	Chappell	
X.X	±0.40				Approved			Title NON-UL 26AWG (0.16/7)*8C, O.D.: 2.4*8.8MM, Single Plug, 50μ" of contact plating, Silver
X.XX	±0.25							
X.XXX	±0.15							Drawing No.
Angle	±3°							rev00
								Replace
								Sheet



H

H