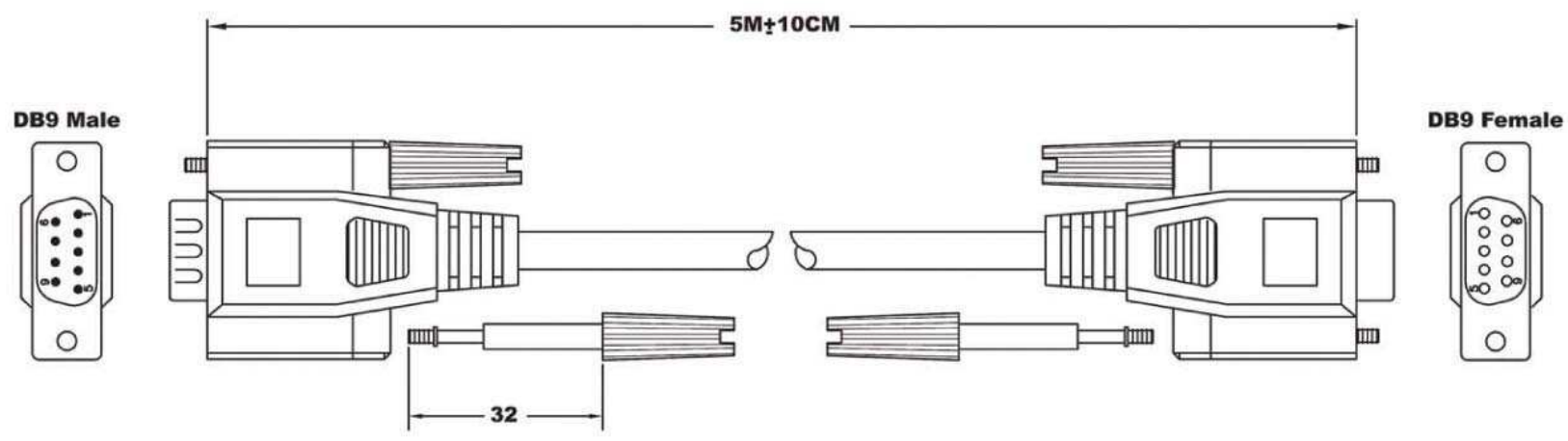


A  
B  
C  
D  
E  
F  
G  
H



Configuration:

DB9M	DB9F
1	1
2	2
3	3
4	4
5	5
6	6
7	7
8	8
9	9
Shield	Shield

**Material:**  
 1.Cable: #28 9C+1+AL/MY(Beige PVC Jacket) O.D:5.0  
 2.Both Connectors with Normal Type  
 3.Thumbscrew: #4-40UNC Type  
 4.Overall Molded with Beige PVC

**Notes:**  
 1.Total Length: 5m±10cm  
 2.Color: Beige  
 3.Molded Type

Scale	1:1					Name	Item No. <b>AK132-5-R (5.0 Meters)</b>
TOLERANCE				Drawn	11.15.11	Chappell	
X.X	±0.40			Approved			Title
X.XX	±0.25						Serial Extension Cable for 9 Pin Interface
X.XXX	±0.15						Drawing No.
Angle	±3°						Replace
							rev00
							Sheet
		Modification	Date	Name	