

1

2

3

4

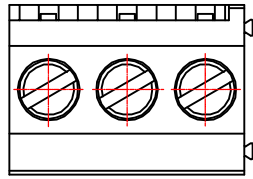
5

6

7

A

A



Material

- Item 1 : Terminal housing:Thermoplastic (UL94V-0),Green
- Item 2 : Clamp: Brass , Ni plated
- Item 3 : Wire guard solder pin: Brass,Tin plated
- Item 4 : Terminal screw: Steel Zinc plating "-" slot type

B

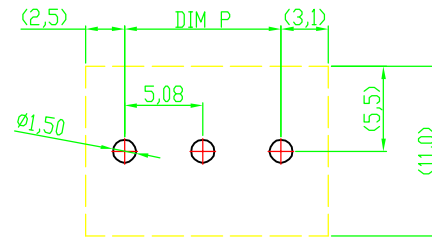
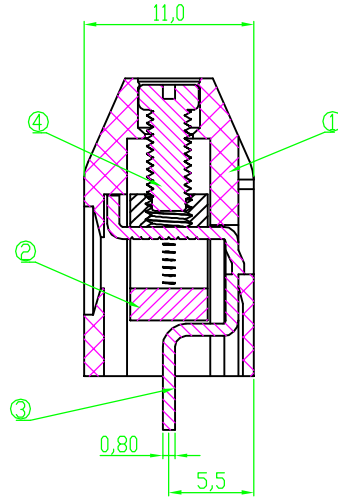
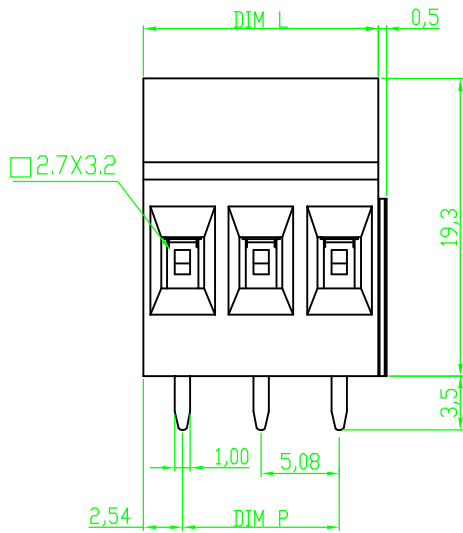
B

Electrical

- cULus
- Voltage rating: 300V
- Current rating: 20A
- Wire range:
- Solid wire(AWG): 12-22
- Stranded wire(AWG): 12-22
- Torque(Lb-In): 3.5
- Screw: M3
- Wire strip length: 6-7mm
- Withstanding Voltage: 1.6KV
- Operating temperature: -40°C to +115°C
- Soldering temperature: 250°C±10°C/5 Sec
- Safety Approval:

C

C



DIMENSION

L	Nx5.08
P	(N-1)x5.08

N=Number of poles

Poles	Tolerance	
	DIM L	DIM P
2p-6p	±0.15	±0.15
7p-12p	±0.25	±0.25
13p-18p	±0.35	±0.35
19p-24p	±0.40	±0.40

RECOMMENDER PCB LAYOUT

G

G

RoHS compliant

Scale	1:1					Date	Name	Customer-No.
TOLERANCE						Drawn	06.12.2006	Hellwig
X.	±0.50					Approved	20.04.2010	Hellwig
X.X	±0.30							
X.XX	±0.10							
DIM	TOL	①	Update	20.04.2010	Alex			
X.°	±1°	②	Drawn	06.12.2006	Hellwig			
Angle	TOL	Id.	Modification	Date	Name	Replace		Sheet

Customer-No.	
ASSMANN WSW-No. A-TB508-TUxx	
Drawing-No.	rev00
ASS 0652 CO	
Replace	Sheet

H

H

1

2

3

4

5

6

7