

N=Number of poles
 L=Nx5.0
 P=(N-1)x5.0

TOL

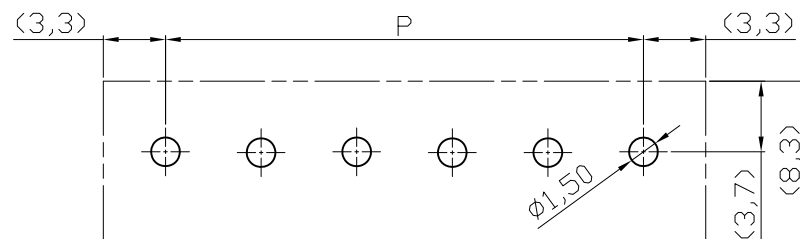
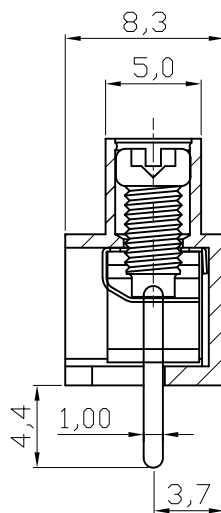
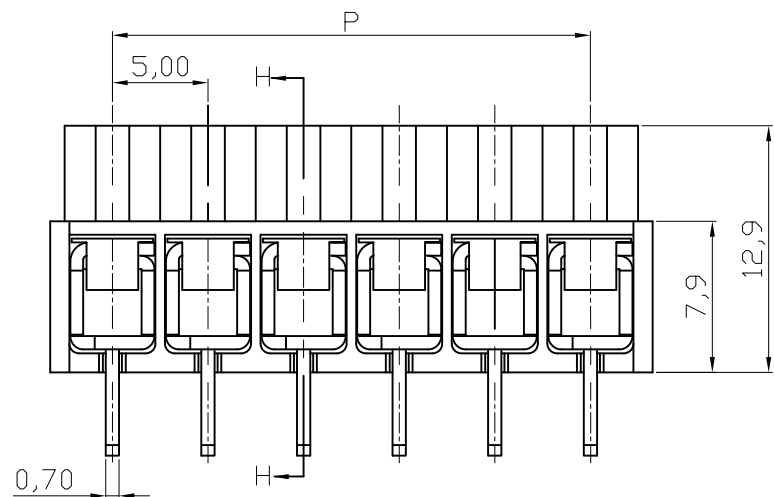
POLES	L	P
2p-6p	±0.20	±0.15
7p-12p	±0.25	±0.20
13p-18p	±0.30	±0.25
19p-24p	±0.40	±0.30

Material

Terminal body
 (metal housing): Brass stamped
 Terminal screw: Steel Zinc plating "+/-" slot type
 Wire guard: Stainless steel
 Surface of solder tail: Tin plated
 Insulator (housing): Thermoplastic (UL94V-0) ,Green

Electrical cULus/VDE

Voltage rating: 300VAC/450VAC
 Current rating: 10A/17.5
 Wire range: 0.75-4.0mm²
 Solid wire(AWG): 12-20
 Stranded wire(AWG): 12-20
 Torque(Lb-In): 3.5Lb-In/0.4Nm
 Screw: M3
 Wire strip length: 6-7mm
 Withstanding Voltage: 1.6KV/2.5KV
 Operating temperature: -40°C to +115°C
 Soldering temperature: 250°C±10°C/5 Sec
 Safety Approval:



P.C.B. LAYOUT

RoHS compliant

Scale	1:1				Date	Name	Customer-No.	
TOLERANCE				Drawn	23.08.2004	Hellwig	ASSMANN WSW-No. A-TB500-T4xxSB	
X.	±0.50			Approved	19.04.2010	Hellwig		
X.X	±0.30							
X.XX	±0.10							
DIM	TOL	②	Update	19.04.2010	Dean		Drawing-No.	
X.°	±1°	①	Drawn	23.08.2004	Hellwig		ASS 0738 CO	rev02
X.X°	±X°						Replace	Sheet
Angle	TOL	Id.	Modification	Date	Name			

1

2

3

4

5

6

7