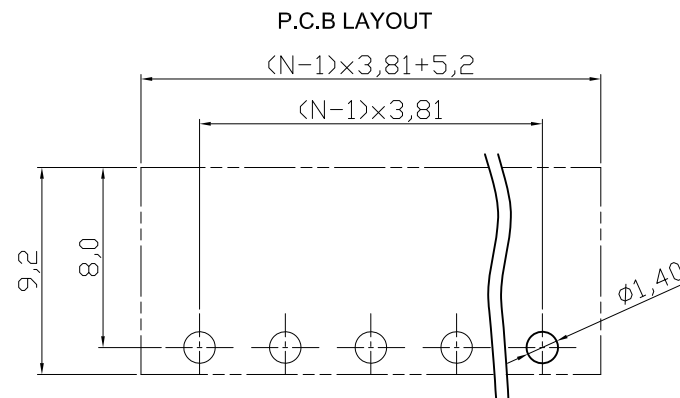
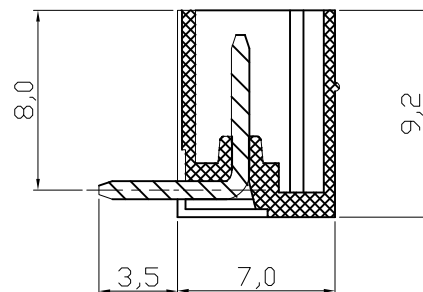


N= NUMBER OF CONTACTS



Material

Terminal body
 (contact pin): Brass(CuZn) Tin plated
 Insulator (housing): Thermoplastic (UL94V-0),Green

Electrical cULus/CSA/VDE

Voltage rating: 300VAC/125VAC/125VAC
 Current rating: 10A/8A/10.5A
 Wire range:
 Solid wire(AWG):
 Stranded wire(AWG):
 Withstanding Voltage: 1.6KV/1.6KV/2.5KV
 Operating temperature: -30°C to +105°C
 Soldering temperature: 250°C±10°C/5 Sec
 Safety Approval:

RoHS compliant

| Scale | 1:1 | Date | | Name | | Customer-No. | | | |
|-----------|-------|----------------|------------|--------------|--|--------------|--------------------------|---------|-------|
| TOLERANCE | | Drawn | 13.09.2006 | Hellwig | ASSMANN WSW-No. A-TB381-OQxxCH | | | | |
| X. | ±0.50 | Approved | 10.12.2009 | Hellwig | | | | | |
| X.X | ±0.30 | ③ Modify Notes | | 10.12.2009 | Dean | Drawing-No. | | | |
| X.XX | ±0.10 | ② Update | | 29.07.2009 | Dean | | ASS 2071 CO rev03 | | |
| DIM | TOL | ① Drawn | | 13.09.2006 | Hellwig | | | Replace | Sheet |
| X.° | ±1° | Id. | | Modification | Date | | | Name | |
| X.X° | ±X° | | | | | | | | |
| Angle | TOL | | | | | | | | |

RoHS compliant