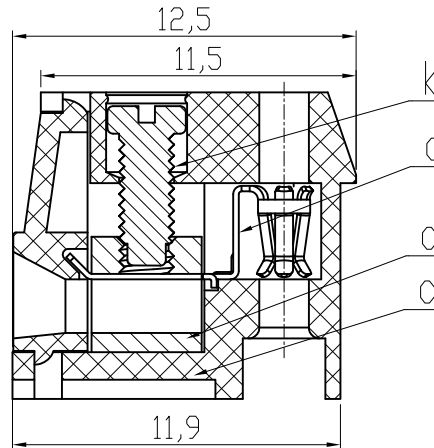
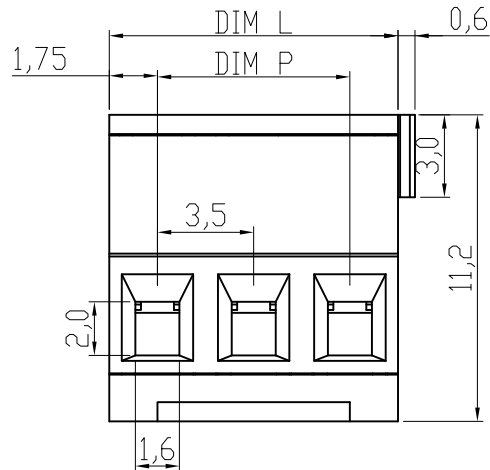


Material

- Item a Clamp : Brass (CuZn),Ni plated
- Item b Terminal screw: Steel Zinc plating "-" slot type
- Item c Female contact : PhBz Tin plated
- Item d Terminal (housing): Thermoplastic (UL94V-0) ,Green

Electrical

- cULus
- Voltage rating: 300VAC
- Current rating: 10A
- Wire range:
- Solid wire(AWG): 16-28
- Stranded wire(AWG): 16-28
- Torque(Lb-In): 1.7
- Screw: M2
- Wire strip length: 5-6mm
- Withstanding Voltage: 1.6KV
- Operating temperature: -40°C to +115°C
- Safety Approval: us



DIMENSION

L	Nx3,5
P	(N-1)x3.5

N=Number of poles

Poles	Tolerance	
	DIM L	DIM P
2p-6p	±0.15	±0.15
7p-12p	±0.20	±0.20
13p-18p	±0.25	±0.25
19p-24p	±0.30	±0.30

RoHS compliant

Scale	1:1						Date	Name	Customer-No.
TOLERANCE							Drawn	14.06.2007	Alex
X.	±0.50						Approved	20.04.2010	Hellwig
X.X	±0.30								
X.XX	±0.10								
DIM	TOL	②	Update	20.04.2010	Alex		Drawing-No.		ASSMANN WSW-No. A-TB350-TTxx
X.°	±1°	①	Drawn	14.06.2007	Hellwig		ASS 2251 CO		
Angle	TOL	Id.	Modification	Date	Name		Replace		Sheet

Customer-No.	
ASSMANN WSW-No. A-TB350-TTxx	
Drawing-No.	
ASS 2251 CO	rev02
Replace	Sheet

RoHS compliant