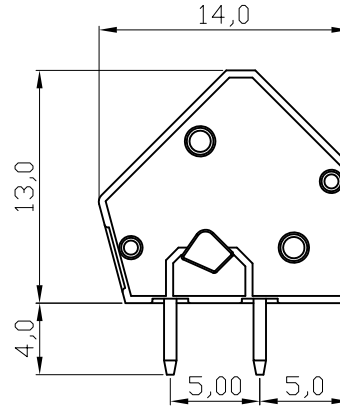
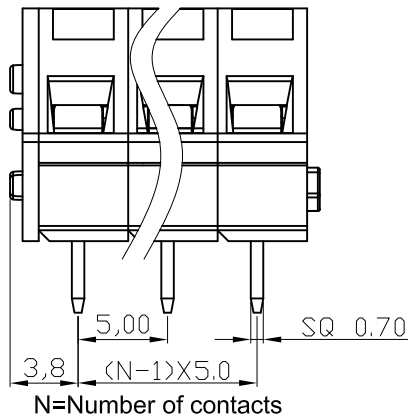


Recommended PCB Layout



**NOTES:**

**MATERIAL**

- 1. Insulator (housing): Thermoplastic (UL 94V-0) Grey
- 2. Wire guard : Stainless steel
- 3. Surface of solder tail: Tin plated
- 4. Terminal body(Contact pin): Brass

**ELECTRICAL**

- 1. Current Rating : 15A
- 2. Voltage Rating : 300V AC
- 3. Solid wire(AWG): 12-28
- 4. Stranded wire(AWG): 12-28
- 5. Wire strip length: 6-7 mm
- 6. Withstand Voltage : 1.6KV

**ENVIRONMENTAL**

- 1. Soldering Temperature: 250°C ±10°C/5 Sec
- 2. Operating Temperature: -30°C to +105°C
- 3. Safety approval: (c)us Pending

**RoHS compliant**

Scale	1:1						Date	Name	Customer-No.
TOLERANCE						Drawn	15.12.2008	Dean	XXXXXXXXX
X.X	±0.50					Approved	15.12.2008	Hellwig	ASSMANN WSW-No.
X.XX	±0.30								A-TB500-HG XX
X.XXX	±0.10								Drawing-No.
DIM	TOL							ASS 3215 CO	rev01
X.°	±1°				Replace			Sheet	
X.X°	±X°	①	Drawn	15.12.2008	Dean				
Angle	TOL	Id.	Modification	Date	Name				