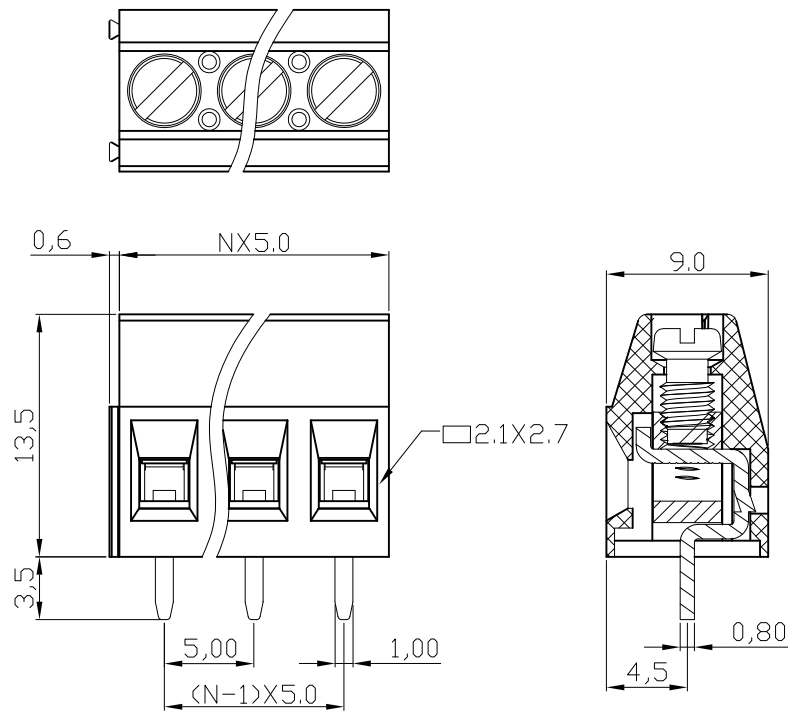


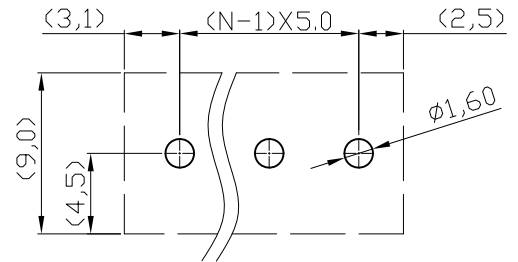
A  
B  
C  
D  
E  
F  
G  
H

A  
B  
C  
D  
E  
F  
G  
H



N=Number of contacts

- Material**
- 1.Terminal body (metal housing): Brass(CuZn)
  - 2.Terminal screw:Steel Zinc plating"-slot type
  - 3.Contacts: Brass
  - 4.Surface of solder tail: Tin plated
  - 5.Insulator (housing): Thermoplastic (UL94V-0),Green
- Electrical** cULus/ FIMKO
- 1.Voltage rating: 300VAC/300VAC
  - 2.Current rating: 16A /17.5A
  - 3.Wire range: 0.5-1.5mm
  - 4.Solid wire(AWG): 12-28
  - 5.Stranded wire(AWG): 12-28
  - 6.Torque: 3.5 Lb-In/ 0.4N.m
  - 7.Screw:M3
  - 8.Wire strip length: 6-7mm
  - 9.Withstanding Voltage: 1.6KV / 2.5KV
  - 10.Operating temperature: -30°C to +105°C
  - 11.Soldering temperature: 250°C±10°C/5 Sec
  - 12.Safety Approval: cULus Ⓢ



P.C.B LAYOUT

**RoHS compliant**

Scale	1:1						Date	Name	Customer-No.
TOLERANCE						Drawn	27.05.2009	Dean	ASSMANN WSW-No. <b>A-TB500-VIxxH</b>
X.	±0.50					Approved	27.05.2009	Hellwig	
X.X	±0.30								
X.XX	±0.10								
DIM	TOL								Drawing-No.
X.°	±1°								<b>ASS 3525 CO</b>
X.X°	±X°	①	Drawn	27.05.2009	Dean	<b>ASSMANN</b> WSW components		rev01	
Angle	TOL	Id.	Modification	Date	Name			Replace	Sheet