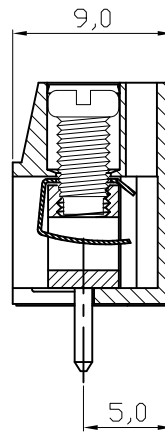
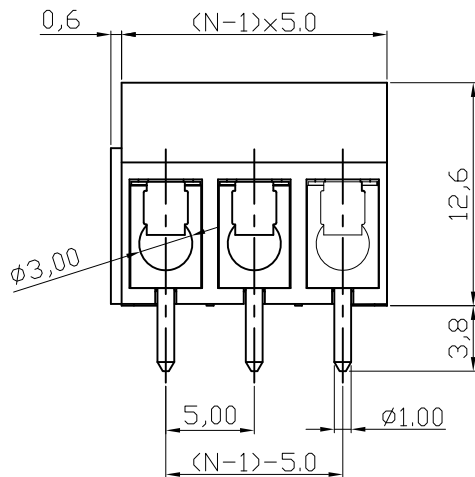


**Material**

Terminal body  
 (metal housing): Brass(CuZn) c  
 Terminal screw: Steel Zinc plating "-" slot type  
 Wire guard: Stainless steel  
 Surface of solder tail: Tin plated  
 Insulator (housing): Thermoplastic (UL94V-0) , Blue

**Electrical UL/CSA/VDE**

Voltage rating: 250VAC/250VAC/250VAC  
 Current rating: 16A  
 Wire range: 1.0-2.5mm<sup>2</sup>  
 Solid wire(AWG): 14-26/14-22  
 Stranded wire(AWG): 14-26/14-22  
 Torque: 2.6Lb-In/4Kgf.cm/0.6Nm  
 Screw: M3  
 Wire strip length: 6-7mm  
 Withstanding Voltage: 1.5KV/1.5KV/2KV  
 Operating temperature: -40°C to +115°C  
 Soldering temperature: 250°C±10°C/5 Sec  
 SAFETY APPROVAL:



N=NUMBER OF CONTACTS

**RoHS compliant**

Scale	1:1						Date	Name	Customer-No.
TOLERANCE						Drawn	29.07.2009	Dean	
X.	±0.50					Approved	29.07.2009	Hellwig	ASSMANN WSW-No. <b>A-TB500-TAxx</b>
X.X	±0.30								Drawing-No.
X.XX	±0.10								<b>ASS 3589 CO</b>
DIM	TOL								rev01
X.°	±1°								
		①	Drawn	29.07.2009	Dean			Replace	Sheet
Angle	TOL	Id.	Modification	Date	Name				



**ASS 3589 CO** rev01

Replace Sheet