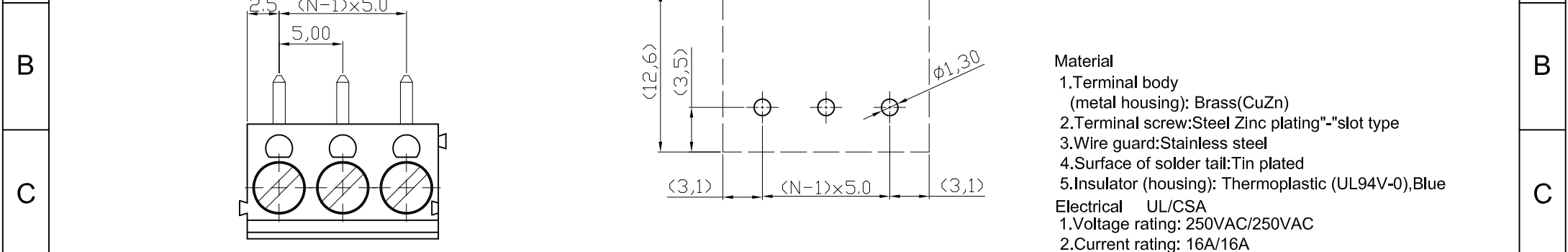
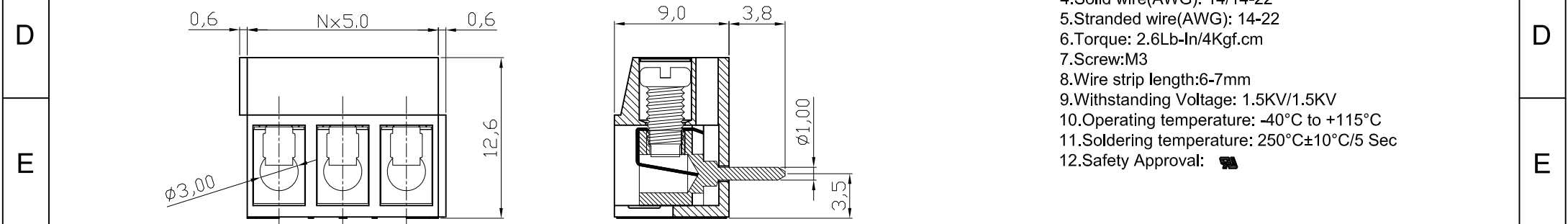


A P.C.B LAYOUT



N= NUMBER OF CONCATS



- Material**
- Terminal body (metal housing): Brass(CuZn)
 - Terminal screw: Steel Zinc plating"-slot type
 - Wire guard: Stainless steel
 - Surface of solder tail: Tin plated
 - Insulator (housing): Thermoplastic (UL94V-0), Blue
- Electrical UL/CSA**
- Voltage rating: 250VAC/250VAC
 - Current rating: 16A/16A
 - Wire range:
 - Solid wire(AWG): 14/14-22
 - Stranded wire(AWG): 14-22
 - Torque: 2.6Lb-In/4Kgf.cm
 - Screw: M3
 - Wire strip length: 6-7mm
 - Withstanding Voltage: 1.5KV/1.5KV
 - Operating temperature: -40°C to +115°C
 - Soldering temperature: 250°C±10°C/5 Sec
 - Safety Approval:

RoHS compliant

Scale	1:1						Date	Name	Customer-No.
TOLERANCE						Drawn	29.07.2009	Dean	ASSMANN WSW-No. A-TB500-TBxx
X.	±0.50					Approved	29.07.2009	Hellwig	
X.X	±0.30								
X.XX	±0.10								
DIM	TOL								Drawing-No.
X.°	±1°								ASS 3590 CO rev01
X.X°	±X°	①	Drawn	29.07.2009	Dean				
Angle	TOL	Id.	Modification	Date	Name			Replace	Sheet