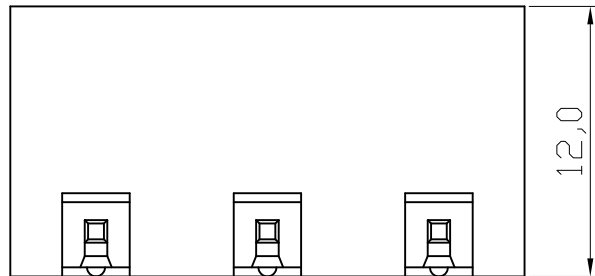
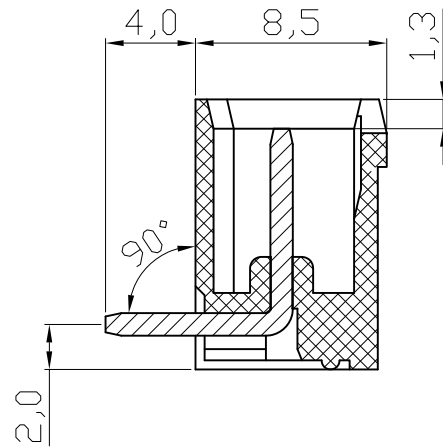
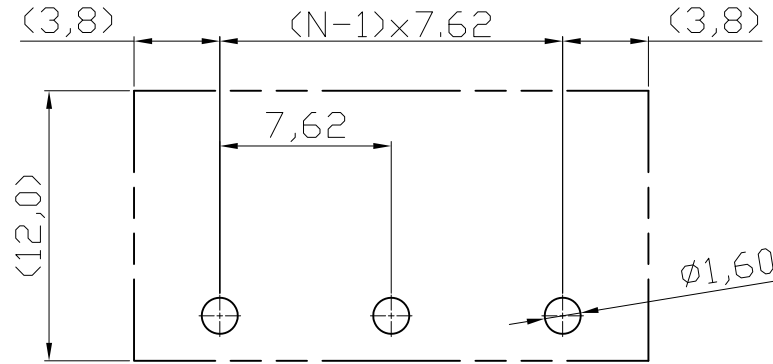


N=Number of contacts



P.C.B LAYOUT



Material

Terminal body  
 (contact pin): Brass(CuZn) Tin plated  
 Insulator (housing): Thermoplastic (UL94V-0)Green

Electrical cULus

Voltage rating: 300VAC  
 Current rating: 20A  
 Withstanding Voltage: 1.6KV  
 Operating temperature: -30°C to +105°C  
 Soldering temperature: 250°C±10°C/5 Sec  
 Safety Approval: us

RoHS compliant

Scale	1:1						Date	Name	Customer-No.
TOLERANCE						Drawn	29.07.2009	Dean	ASSMANN WSW-No. <b>A-TB762-OQxxCH</b>
X.	±0.50					Approved	10.12.2009	Hellwig	
X.X	±0.30								
X.XX	±0.10								
DIM	TOL	②	Update	10.12.2009	Dean			Drawing-No.	ASS 3600 CO rev02
X.°	±1°	①	Drawn	29.07.2009	Dean				
Angle	TOL	Id.	Modification	Date	Name				

Replace Sheet