

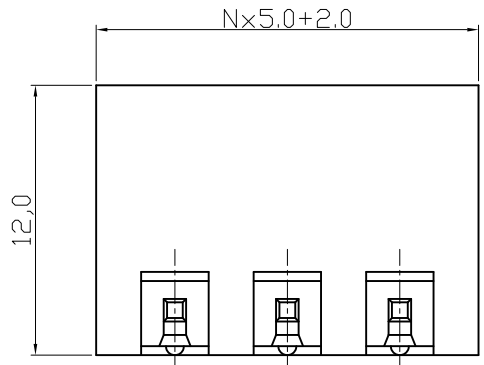
P.C.B LAYOUT

Material

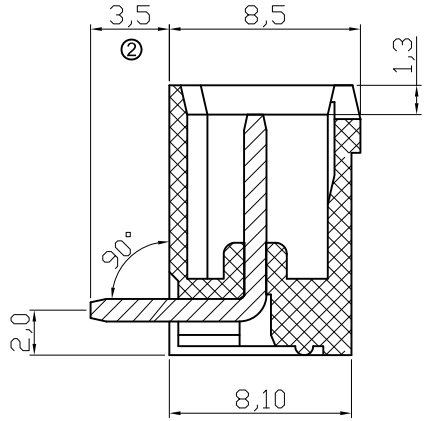
Terminal body
 (contact pin): Copper Tin plated
 Insulator (housing): Thermoplastic (UL94V-0)
 Green(RAL6018/T)

Electrical cULus/VDE/TUV

Voltage rating: 300VAC/300VAC/300VAC
 Current rating: 20A/20A/20A
 Withstanding Voltage: 1.6KV/2.5KV/2.5KV
 Operating temperature: -40°C to +115°C
 Soldering temperature: 250°C±10°C/5 Sec
 Safety Approval:



N = Number of contacts



RoHS compliant
 Unit: mm

Scale	Free					Date	Name	Customer-No.
TOLERANCE						Drawn	29.07.2009	Dean
X.	±0.50					Approved	09.12.2013	Amy
X.X	±0.30							
X.XX	±0.10	③	Update the design	09.12.2013	Amy			
DIM	TOL	②	Changed the pin tail length	01.03.2010	Rale	 ASSMANN WSW components		
X.°	±1°	①	Drawn	29.07.2009	Dean			
X.X°	±X°							
Angle	TOL	Id.	Modification	Date	Name	Replace		Sheet

Customer-No.
 ASSMANN WSW-No.
 A-TB500-OQxxCH

Drawing-No.
ASS 3603 CO rev03
 Sheet

