

1

2

3

4

5

6

7

A

Dimension

DIM A	Nx5.08
DIM B	(N-1)x5.08

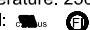
N=Number of poles

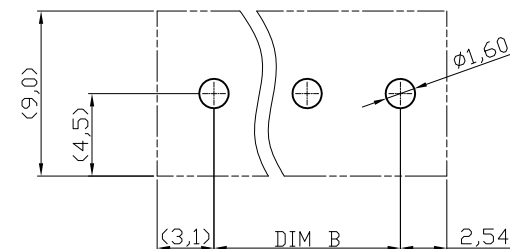
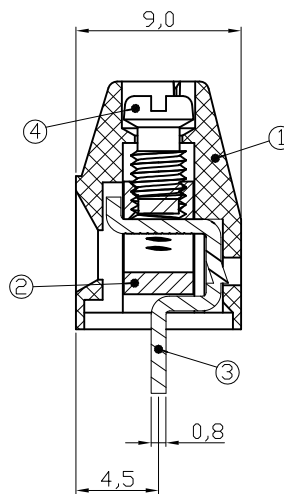
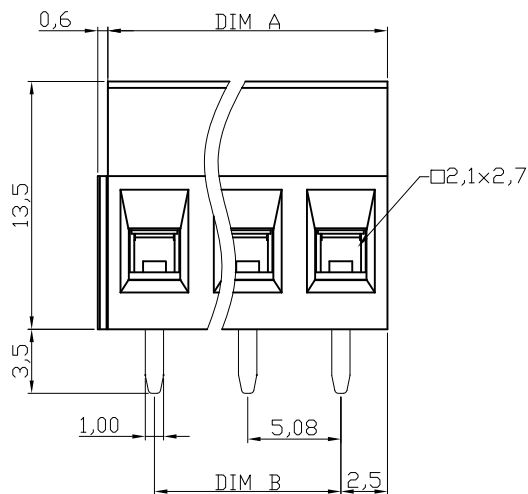
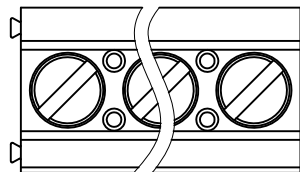
POLES	TOL
2p-6p	±0.15
7p-12p	±0.25
13p-16p	±0.35
17p-24p	±0.40

Material

Item 1 Terminal housing: Thermoplastic UL94V-0, Green
 Item 2 Clamp: Brass ,Ni plated
 Item 3 Wire guard solder pin: Brass ,Tin plated
 Item 4 Terminal screw: Steel Zinc plating"-slot type


Electrical cULus/ FIMKO

Voltage rating: 300VAC/300VAC
 Current rating: 16A/17.5A
 Wire range: 0.5~1.5mm²
 Solid wire(AWG): 12~28
 Stranded wire(AWG): 12~28
 Torque: 3.5Lb-In./0.5N.m
 Screw: M3
 Wire strip length: 6-7mm
 Withstanding Voltage: 1.6KV/2.5KV
 Operating temperature: -40°C to +115°C
 Soldering temperature: 250°C±10°C/5Sec
 Safety Approval: 



N=Number of contacts

RoHS compliant

Scale	1:1						Date	Name	Customer-No.	
TOLERANCE						Drawn	10.12.2009	Dean	ASSMANN WSW-No. A-TB508-VIxxH	
X.	±0.50					Approved	19.04.2010	Hellwig		
X.X	±0.30									
X.XX	±0.10									
DIM	TOL	②	Modify drawing	19.04.2010	Dean			Drawing-No.	ASS 3927 CO rev02	
X.°	±1°	①	Drawn	10.12.2009	Dean			Replace		Sheet
Angle	TOL	Id.	Modification	Date	Name					

A

B

C

D

E

F

G

H

A

B

C

D

E

F

G

H

1

2

3

4

5

6

7