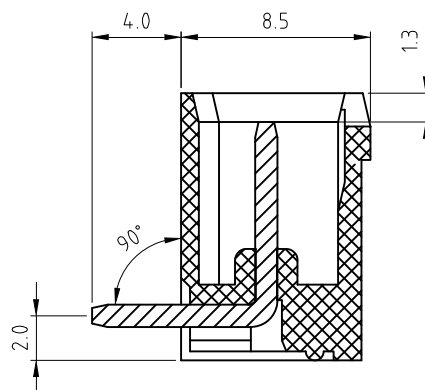
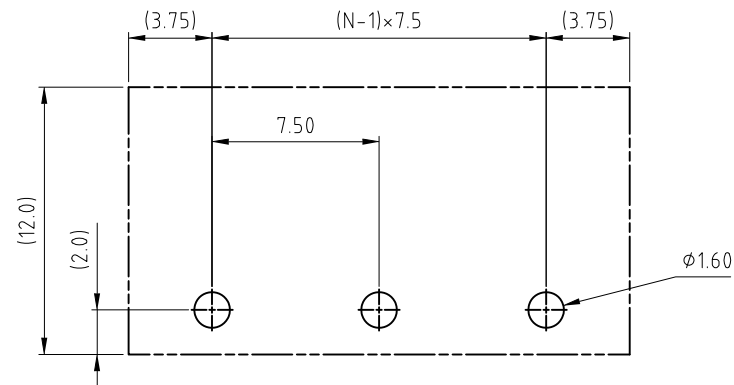


N=Number of contacts

P.C.B LAYOUT



Material

- Terminal body
- (contact pin): Brass(CuZn) Tin plated
- Insulator (housing): Thermoplastic (UL94V-0) Green

Electrical cULus

- Voltage rating: 300VAC
- Current rating: 20A
- Wire range:
- Solid wire(AWG):
- Stranded wire(AWG):
- Withstanding Voltage: 1.6KV
- Operating temperature: -30°C to +105°C
- Soldering temperature: 250°C±10°C/5 Sec
- Safety Approval: (cULus) pending

RoHS compliant

Scale	1:1						Date	Name	Customer-No.
TOLERANCE						Drawn	10.12.2009	Dean	ASSMANN WSW-No. A-TB750-OQxxCH
X.	±0.50					Approved	10.12.2009	Hellwig	
X.X	±0.30								
X.XX	±0.10								
DIM	TOL								Drawing-No.
X.°	±1°								ASS 3942 CO
		①	Drawn	10.12.2009	Dean				rev01
Angle	TOL	Id.	Modification	Date	Name			Replace	Sheet

RoHS compliant



ASS 3942 CO rev01