

1

2

3

4

5

6

7

A

A

B

B

C

C

D

D

E

E

F

F

G

G


H

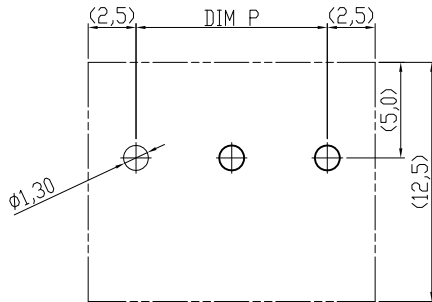
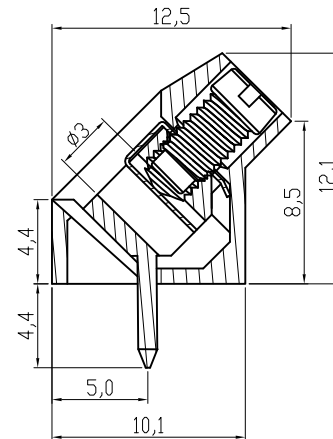
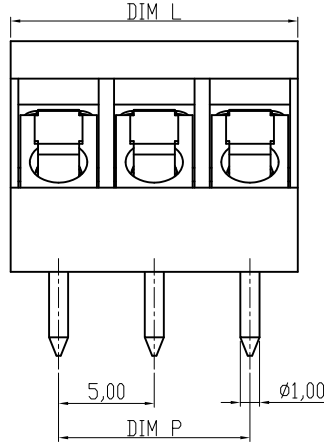
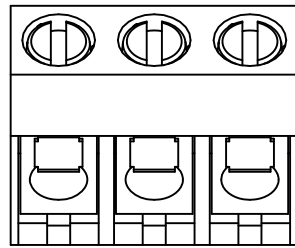
H

Material

Terminal body(metal housing): Brass(CuZn)  
 Terminal screw: Steel Zinc plating "-" slot type  
 Wire guard: Stainless steel  
 Surface of solder tail: Tin plated  
 Insulator (housing): Thermoplastic (UL94V-0).BLACK

Electrical cULus

Voltage rating: 300VAC  
 Current rating: 15A  
 Wire range:  
 Solid wire(AWG): 14-22  
 Stranded wire(AWG): 14-22  
 Torque(Lb-In): 3.5  
 Screw: M3  
 Wire strip length: 6-7mm  
 Withstanding Voltage: 1.6KV  
 Operating temperature: -40°C to +115°C  
 Soldering temperature: 250°C±10°C/5 Sec  
 Safety Approval: 



RECOMMENDER PCB LAYOUT


DIMENSION

L	Nx5.0
P	(N-1)x5.0

N=Number of poles

Poles	Tolerance	
	DIM L	DIM P
2p-6p	±0.20	±0.15
7p-12p	±0.25	±0.20
13p-18p	±0.30	±0.25
19p-24p	±0.40	±0.30

RoHS compliant

Scale	1:1						Date	Name	Customer-No.	
TOLERANCE							Drawn	19.04.2010	Alex	
X.	±0.50						Approved	19.04.2010	Hellwig	
X.X	±0.30									
X.XX	±0.10									
DIM	TOL								Drawing-No.	
X.°	±1°								ASSMANN WSW-No. <b>A-TB500-TQxxSB</b>	
		©	Drawn	19.04.2010	Alex				Drawing-No. <b>ASS 4094 CO</b>	rev00
Angle	TOL	Id.	Modification	Date	Name			Replace	Sheet	

1

2

3

4

5

6

7