

1

2

3

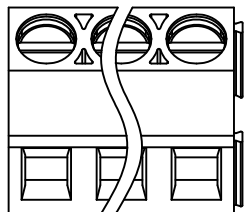
4

5

6

7

A



B

C

D

E

F

G

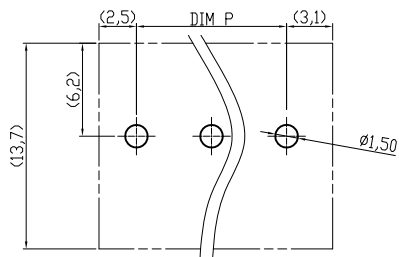
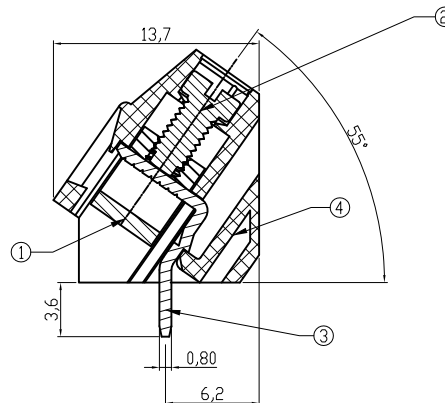
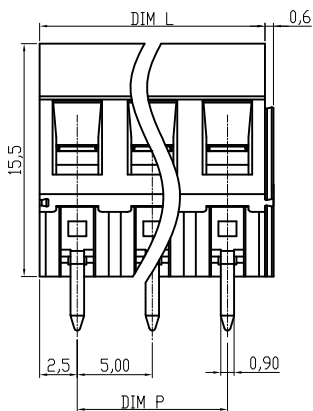
H

Material

- ①Clamp: Brass, Ni plated
- ②Terminal screw: Steel Zinc plating "-" slot type
- ③Wire guard solder pin: Brass, Tin plated
- ④Terminal housing: Thermoplastic (UL94V-0), GREEN

Electrical UL

Voltage rating: 300VAC  
 Current rating: 10A  
 Wire range:  
 Solid wire(AWG): 12-24  
 Stranded wire(AWG): 12-24  
 Torque(Lb-In): 3.5  
 Screw: M2.5  
 Wire strip length: 6-7mm  
 Withstanding Voltage: 1.6KV  
 Operating temperature: -40°C to +115°C  
 Soldering temperature: 250°C±10°C/5 Sec  
 Safety Approval:



DIMENSION

L	Nx5.0
P	(N-1)x5.0

N=Number of poles

Poles	Tolerance
	DIM L&DIM P
4p-8p	±0.15
9p-14p	±0.25
15p-20p	±0.35
21p-24p	±0.40

RECOMMENDER PCB LAYOUT

RoHS compliant

Scale	1:1						Date	Name	Customer-No.
TOLERANCE						Drawn	19.04.2010	Alex	ASSMANN WSW-No. <b>A-TB500-T2xxSB</b>
X.	±0.50					Approved	19.04.2010	Hellwig	
X.X	±0.30								
X.XX	±0.10								
DIM	TOL								Drawing-No.
X.°	±1°								<b>ASS 4101 CO</b>
		①	Drawn	19.04.2010	Alex				rev00
Angle	TOL	Id.	Modification	Date	Name			Replace	Sheet

1

2

3

4

5

6

7

A

B

C

D

E

F

G

H