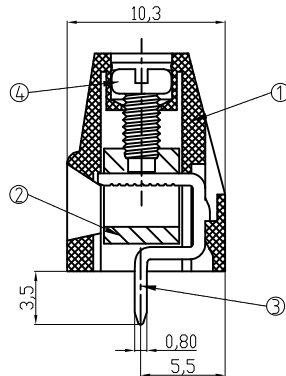
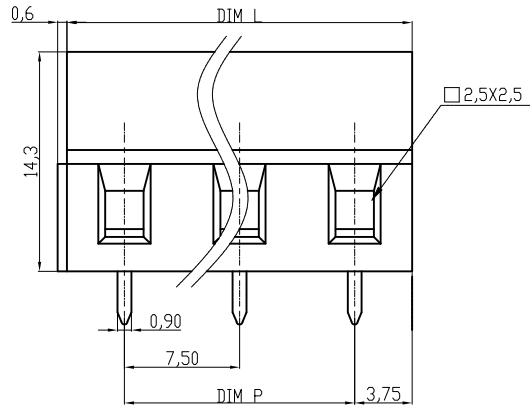


RECOMMENDER PCB LAYOUT



Material

- ①Terminal housing: Thermoplastic (UL94V-0) , GREEN
- ②Clamp: Brass,Ni plated
- ③Wire guard solder pin: Brass,Tin plated
- ④Terminal screw: Steel Zinc plating "-" slot type

Electrical	UL	VDE
Voltage rating:	300V	450V
Current rating:	10A	10A
Wire range:		0.34-4.0mm ²
Solid wire(AWG):	12-22	
Stranded wire(AWG):	12-22	
Torque(Lb-In):	3.5Lb-In	0.4 Nm
Screw:	M2.5	
Wire strip length:	6-7mm	
Withstanding Voltage:	1.6KV	2.5KV
Operating temperature:	-40°C to +115°C	
Soldering temperature:	250°C±10°C/5 Sec	
Safety Approval:		



DIMENSION

L	Nx7,5
P	(N-1)x7,5

N=Number of poles

Poles	Tolerance	
	DIM L	DIM P
2p-4p	±0.20	±0.20
5p-8p	±0.25	±0.25
9p-12p	±0.35	±0.35

RoHS compliant

Scale	1:1					Date	Name	Customer-No.	
TOLERANCE						Drawn	19.04.2010	Alex	
X.	±0.50					Approved	19.04.2010	Hellwig	
X.X	±0.30								
X.XX	±0.10								
DIM	TOL							Drawing-No.	
X.°	±1°							ASSMANN WSW-No. A-TB750-TIxx	
		①	Drawn	19.04.2010	Alex			ASS 4105 CO	rev00
Angle	TOL	Id.	Modification	Date	Name			Replace	Sheet

Customer-No.	
ASSMANN WSW-No.	A-TB750-TIxx
Drawing-No.	ASS 4105 CO
Replace	rev00
Sheet	

