

1

2

3

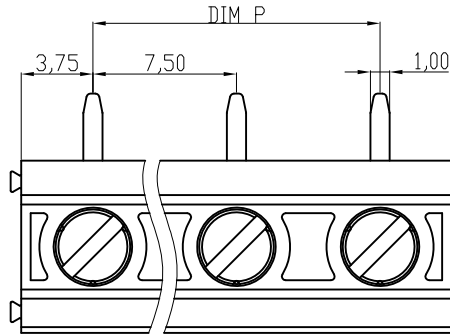
4

5

6

7

A



B

C

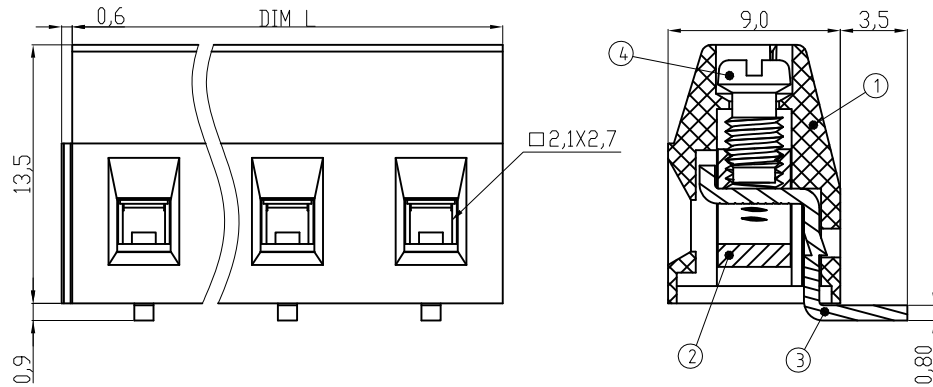
D

E

F

G

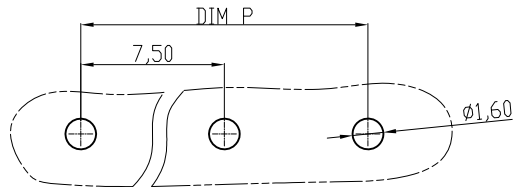
H



Material

- ① Terminal housing: Thermoplastic (UL94V-0) , GREEN
- ② Clamp: Brass, Ni plated
- ③ Wire guard solder pin: Brass, Tin plated
- ④ Terminal screw: Steel Zinc plating "-" slot type

Electrical cULus/FIMKO
 Voltage rating: 300VAC/300VAC
 Current rating: 16A/17.5A
 Wire range: 1.5mm²
 Solid wire(AWG): 12-28
 Stranded wire(AWG): 12-28
 Torque(Lb-In): 3.5Lb-In/0.5 Nm
 Screw: M3
 Wire strip length: 6-7mm
 Withstanding Voltage: 1.6KV/2.5KV
 Operating temperature: -40°C to +115°C
 Soldering temperature: 250°C±10°C/5 Sec
 Safety Approval:



DIMENSION

L	Nx7.5
P	(N-1)x7.5

N=Number of poles

Poles	Tolerance
	DIM L&DIM P
2p-6p	±0.15
7p-12p	±0.25
13p-16p	±0.35

RECOMMENDER PCB LAYOUT

RoHS compliant

Scale	1:1						Date	Name	Customer-No.
TOLERANCE							Drawn	Alex	ASSMANN WSW-No. A-TB750-VIxxV
X.	±0.50						Approved	Hellwig	
X.X	±0.30								
X.XX	±0.10								
DIM	TOL								
X.°	±1°								Drawing-No.
		©	Drawn	19.04.2010	Alex	ASSMANN WSW components		ASS 4106 CO	
Angle	TOL	Id.	Modification	Date	Name			Replace	Sheet

1

2

3

4

5

6

7

A

B

C

D

E

F

G

H