

1

2

3

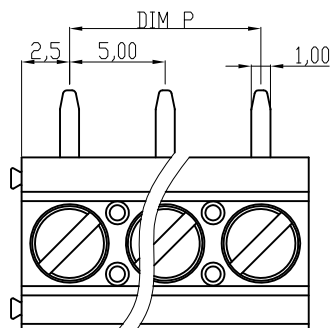
4

5

6

7

A



B

C

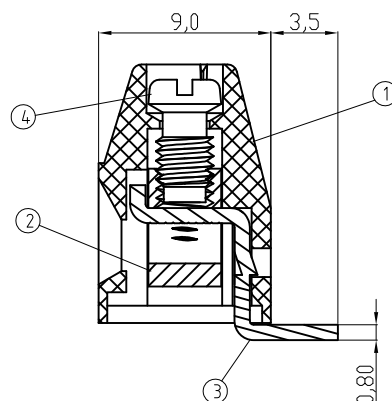
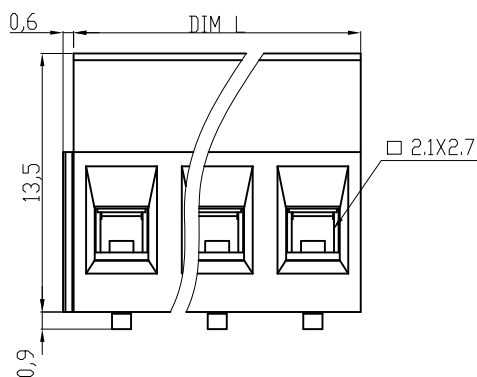
D

E

F

G

H



Material

- ① Terminal housing: Thermoplastic (UL94V-0) , GREEN
- ② Clamp: Brass, Ni plated
- ③ Wire guard solder pin: Brass, Tin plated
- ④ Terminal screw: Steel Zinc plating "-" slot type

Electrical cULus/FIMKO
 Voltage rating:300VAC/300VAC
 Current rating:16A/17.5A
 Wire range: 0.5-1.5mm²
 Solid wire(AWG):12-28
 Stranded wire(AWG):12-28
 Torque(Lb-In):3.5Lb-In/0.5 Nm
 Screw: M3
 Wire strip length:6-7mm
 Withstanding Voltage: 1.6KV/2.5KV
 Operating temperature: -40°C to +115°C
 Soldering temperature: 250°C±10°C/5 Sec
 Safety Approval:

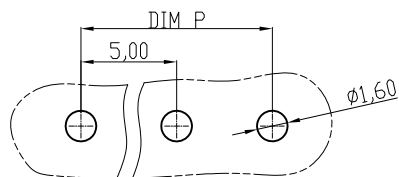


DIMENSION

L	Nx5.0
P	(N-1)x5.0

N=Number of poles

Poles	Tolerance
DIM L&DIM P	
2p-6p	±0.15
7p-12p	±0.20
13p-18p	±0.25
19p-24p	±0.30



RECOMMENDER PCB LAYOUT

RoHS compliant

Scale	1:1						Date	Name	Customer-No.	
TOLERANCE							Drawn	19.04.2010	Alex	
X.	±0.50						Approved	19.04.2010	Hellwig	
X.X	±0.30									
X.XX	±0.10									
DIM	TOL								Drawing-No.	
X.°	±1°								ASSMANN WSW-No. A-TB500-VIxxV	
		①	Drawn	19.04.2010	Alex				ASS 4107 CO	rev00
Angle	TOL	Id.	Modification	Date	Name			Replace	Sheet	

1

2

3

4

5

6

7

A

B

C

D

E

F

G

H