

1

2

3

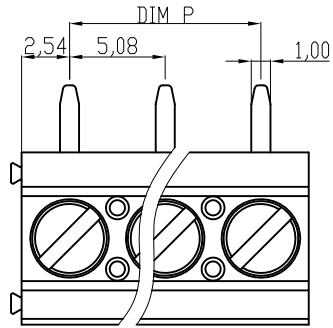
4

5

6

7

A



B

C

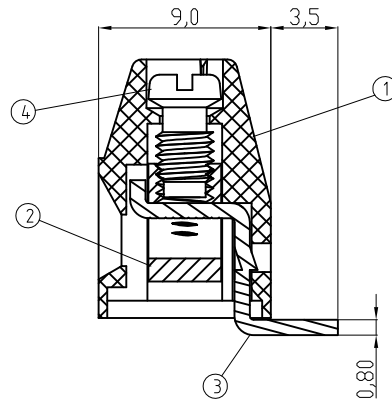
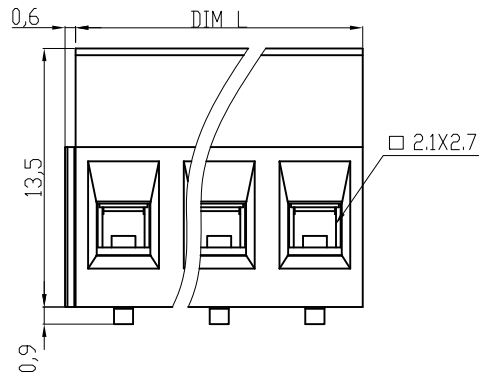
D

E

F

G

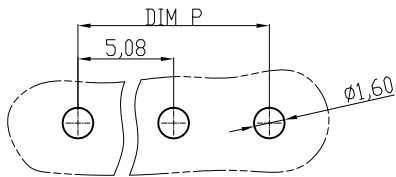
H



### Material

- ① Terminal housing: Thermoplastic (UL94V-0) , GREEN
- ② Clamp: Brass, Ni plated
- ③ Wire guard solder pin: Brass, Tin plated
- ④ Terminal screw: Steel Zinc plating "-" slot type

Electrical cULus/FIMKO  
 Voltage rating: 300VAC/300VAC  
 Current rating: 16A/17.5A  
 Wire range: 0.5-1.5mm<sup>2</sup>  
 Solid wire(AWG): 12-28  
 Stranded wire(AWG): 12-28  
 Torque(Lb-In): 3.5Lb-In/0.5 Nm  
 Screw: M3  
 Wire strip length: 6-7mm  
 Withstanding Voltage: 1.6KV/2.5KV  
 Operating temperature: -40°C to +115°C  
 Soldering temperature: 250°C ± 10°C / 5 Sec  
 Safety Approval:



### DIMENSION

|   |            |
|---|------------|
| L | Nx5.08     |
| P | (N-1)x5.08 |

N=Number of poles

| Poles         | Tolerance |
|---------------|-----------|
| DIM L & DIM P |           |
| 2p-6p         | ±0.15     |
| 7p-12p        | ±0.25     |
| 13p-16p       | ±0.35     |
| 17p-24p       | ±0.40     |

RECOMMENDER PCB LAYOUT

## RoHS compliant

|           |       |     |              |            |      |  |          |            |              |
|-----------|-------|-----|--------------|------------|------|--|----------|------------|--------------|
| Scale     | 1:1   |     |              |            |      |  | Date     | Name       | Customer-No. |
| TOLERANCE |       |     |              |            |      |  | Drawn    | 19.04.2010 | Alex         |
| X.        | ±0.50 |     |              |            |      |  | Approved | 19.04.2010 | Hellwig      |
| X.X       | ±0.30 |     |              |            |      |  |          |            |              |
| X.XX      | ±0.10 |     |              |            |      |  |          |            |              |
| DIM       | TOL   |     |              |            |      |  |          |            |              |
| X.°       | ±1°   |     |              |            |      |  |          |            |              |
|           |       | ①   | Drawn        | 19.04.2010 | Alex |  |          |            |              |
| Angle     | TOL   | Id. | Modification | Date       | Name |  |          |            |              |

|   |       |
|---|-------|
| Customer-No.                            |       |
| ASSMANN WSW-No.<br><b>A-TB508-VIxxV</b> |       |
| Drawing-No.                             | rev00 |
| <b>ASS 4108 CO</b>                      | Sheet |
| Replace                                 |       |

1

2

3

4

5

6

7

A

B

C

D

E

F

G

H