

1

2

3

4

5

6

7

A

B

C

D

E

F

G

H

A

B

C

D

E

F

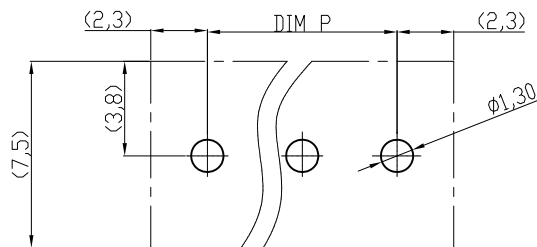
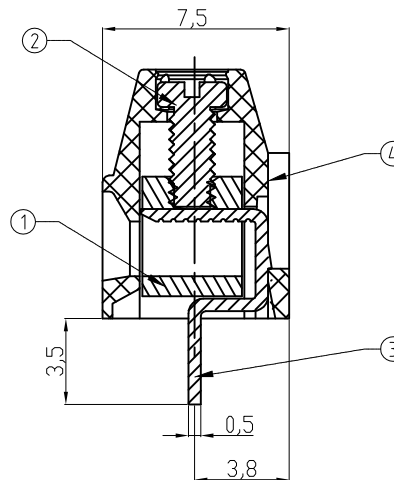
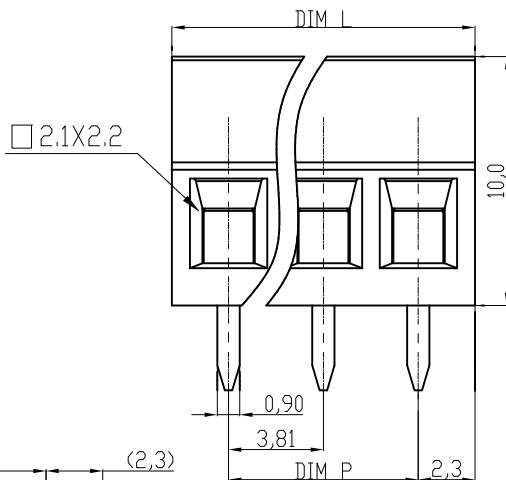
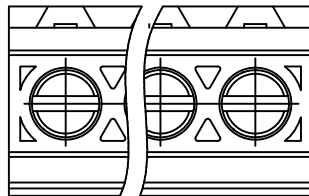
G

H

Material

- ① Clamp: Brass, Ni plated
- ② Terminal screw: Steel Zinc plating "-" slot type
- ③ Wire guard solder pin: Brass, Tin plated
- ④ Terminal housing: Thermoplastic (UL94V-0), GREEN

Electrical cULus
 Voltage rating: 300VAC
 Current rating: 8A
 Wire range:
 Solid wire (AWG): 16-24
 Stranded wire (AWG): 16-24
 Torque (Lb-In): 2.17
 Screw: M2
 Wire strip length: 6-7mm
 Withstanding Voltage: 1.6KV
 Operating temperature: -40°C to +115°C
 Soldering temperature: 250°C ± 10°C / 5 Sec
 Safety Approval:



DIMENSION

L	(N-1)x3.81+4.55
P	(N-1)x3.81

N=Number of poles

Poles	Tolerance
DIM L&DIM P	
2p-4p	±0.15
5p-8p	±0.25
9p-16p	±0.30
17p-24p	±0.35

RECOMMENDER PCB LAYOUT

RoHS compliant

Scale	1:1					Date	Name	Customer-No.
TOLERANCE						Drawn	Alex	ASSMANN WSW-No. A-TB381-EDxxSB
X.	±0.50					Approved	Hellwig	
X.X	±0.30							
X.XX	±0.10							
DIM	TOL							Drawing-No.
X.°	±1°							ASS 4109 CO
		©	Drawn	19.04.2010	Alex			rev00
Angle	TOL	Id.	Modification	Date	Name			Replace

1

2

3

4

5

6

7