

1

2

3

4

5

6

7

A

B

C

D

E

F

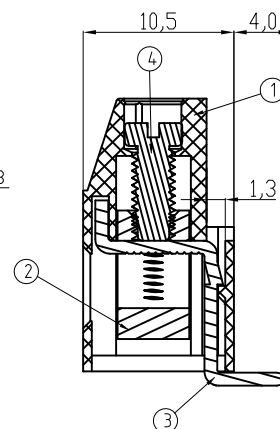
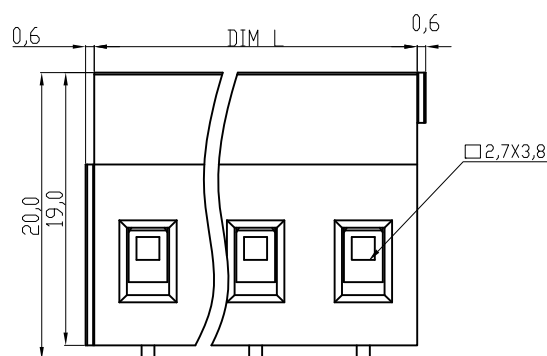
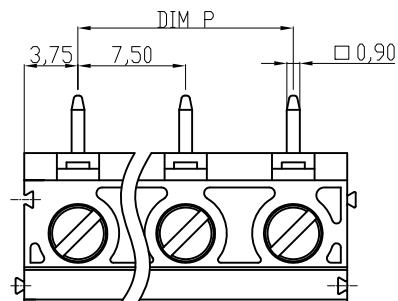
G

H

Material

- ① Terminal housing: Thermoplastic (UL94V-0) , GREEN
- ② Clamp: Brass, Ni plated
- ③ Wire guard solder pin: Copper, Tin plated
- ④ Terminal screw: Steel Zinc plating "-" slot type

Electrical cULus
 Voltage rating: 300VAC
 Current rating: 20A
 Wire range:
 Solid wire(AWG): 12-30
 Stranded wire(AWG): 12-30
 Torque(Lb-In): 3.5
 Screw: M3
 Wire strip length: 6-7mm
 Withstanding Voltage: 1.6KV
 Operating temperature: -40°C to +115°C
 Soldering temperature: 250°C±10°C/5 Sec
 Safety Approval:

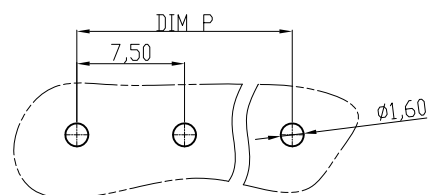


DIMENSION

L	Nx7,5
P	(N-1)x7,5

N=Number of poles

Poles	Tolerance
DIM L&DIM P	
2p-6p	±0.15
7p-12p	±0.25
13p-16p	±0.35



RECOMMENDER PCB LAYOUT

RoHS compliant

Scale	1:1						Date	Name	Customer-No.
TOLERANCE						Drawn	19.04.2010	Alex	ASSMANN WSW-No. A-TB750-VJxxV
X.	±0.50					Approved	19.04.2010	Hellwig	
X.X	±0.30								
X.XX	±0.10								
DIM	TOL								
X.°	±1°								Drawing-No.
		①	Drawn	19.04.2010	Alex			ASS 4112 CO rev00	
Angle	TOL	Id.	Modification	Date	Name			Replace	Sheet

1

2

3

4

5

6

7

A

B

C

D

E

F

G

H