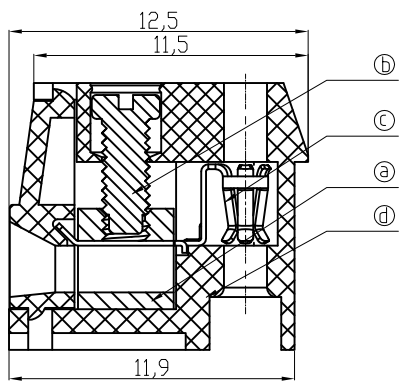
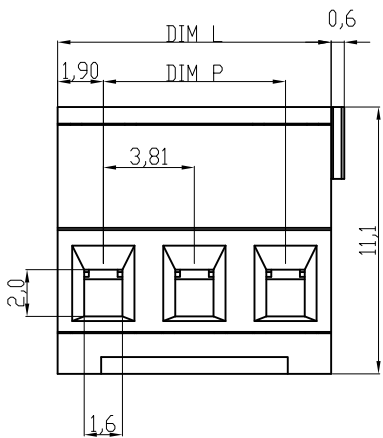
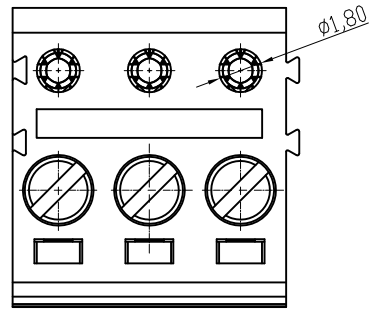


A
B
C
D
E
F
G
H



Material
 Item a Clamp: Brass(CuZn),Ni plated
 Item b Terminal screw: Steel Zinc plating "-" slot type
 Item c Female contact:PhBz,Tin plated
 Item d Terminal (housing): Thermoplastic (UL94V-0) , GREEN

Electrical
 Voltage rating: 300VAC
 Current rating: 10A
 Wire range:
 Solid wire(AWG): 16-28
 Stranded wire(AWG): 16-28
 Torque(Lb-In): 1.7
 Screw: M2
 Wire strip length: 5-6mm
 Withstanding Voltage: 1.6KV
 Operating temperature: -40°C to +115°C
 Soldering temperature: 250°C±10°C/5 Sec
 Safety Approval:

DIMENSION

L	Nx3.81
P	(N-1)x3.81

N=Number of poles

Poles	Tolerance	
	DIM L	DIM P
2p-6p	±0.15	±0.15
7p-12p	±0.20	±0.20
13p-18p	±0.30	±0.30
19p-24p	±0.40	±0.40

RoHS compliant

Scale	1:1						Date	Name	Customer-No.
TOLERANCE							Drawn	19.04.2010	Alex
X.	±0.50						Approved	19.04.2010	Hellwig
X.X	±0.30								
X.XX	±0.10								
DIM	TOL								Drawing-No.
X.°	±1°								ASS 4117 CO
		©	Drawn	19.04.2010	Alex				rev00
Angle	TOL	Id.	Modification	Date	Name			Replace	Sheet

ASSMANN WSW-No.
A-TB381-TTxx
 Drawing-No.
ASS 4117 CO rev00
 Sheet